

PRODUCT DATA SHEET



PART NUMBER – B3TH8022: BRAH Electric, aftermarket direct replacement contactors for Siemens 3TH8022, World Series, type 3TH, 3P, 3PH, 16A, 600V, complete with 120V AC coil, 2 N/O - 2 N/C auxiliary contact, AC magnetic contactor, suitable for use with 3TH series motor control systems

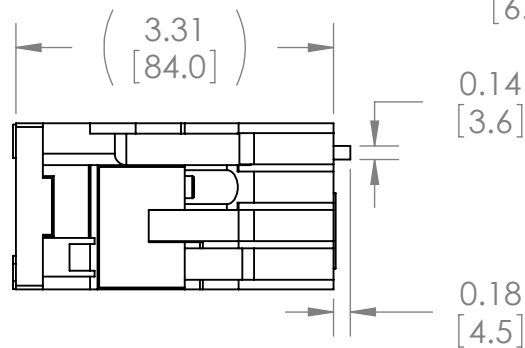
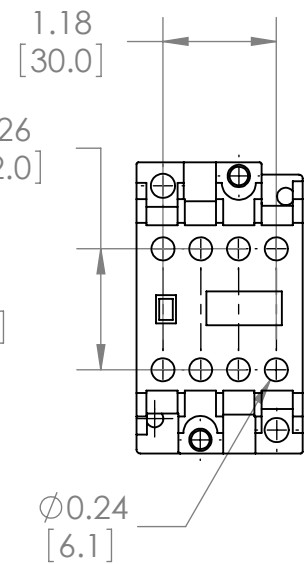
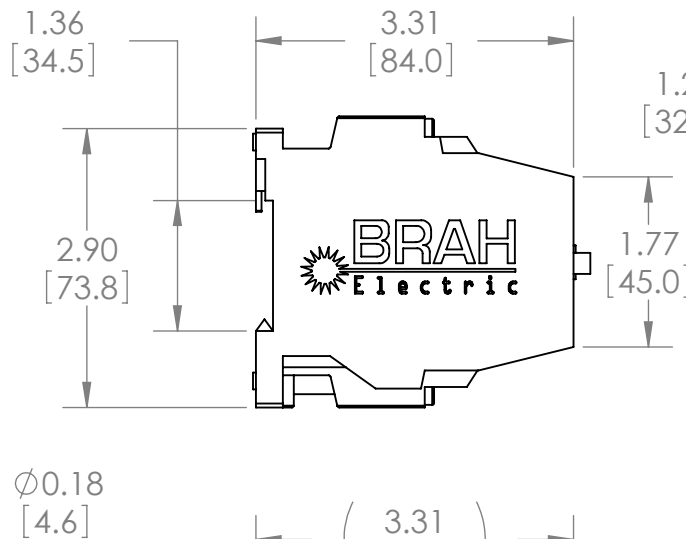
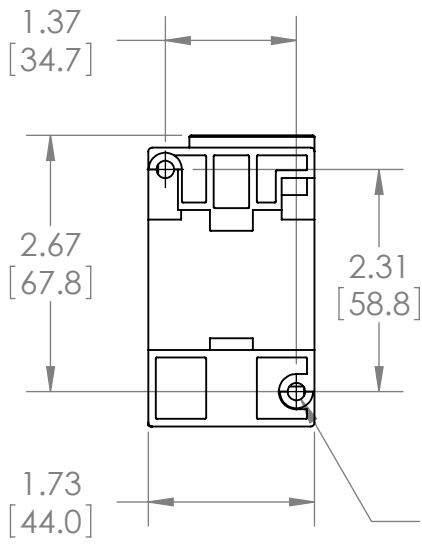
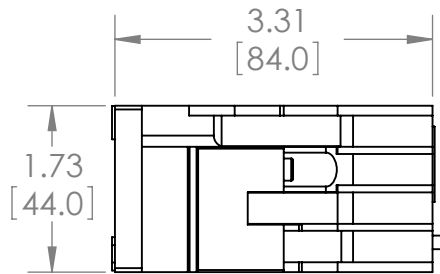
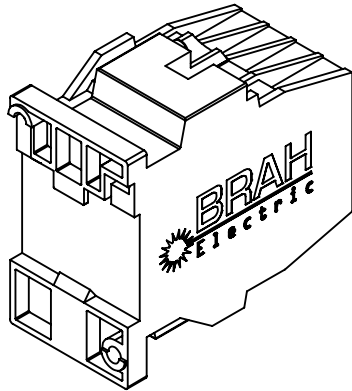
MAGNETIC CONTACTOR
 PART NO. B3TH8022

PRODUCT SPECIFICATIONS

<i>TYPE</i>	<i>VALUE (UNITS)</i>	<i>NOTES</i>	<i>COMMENTS</i>
<i>PHASE</i>	3		
<i>POLES</i>	3		
<i>VOLTAGE</i>	600 (VAC)		
<i>AMPERAGE</i>	16 (A)		
<i>COIL VOLTAGE MIN</i>	120 (V)		
<i>COIL VOLTAGE MAX</i>	120 (V)		
<i>MIN POWER. RATING</i>	2.2 (kW)	@220 V	
<i>MAX POWER RATING</i>	5.5 (kW)	@500 V	

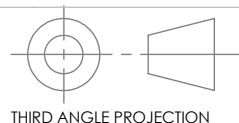
Warranty: All Products sold by BRAH Electric are guaranteed to be free of defect for a period of one year, under the condition that the product has been installed and operated properly. All items proven defective within the one year period will be replaced by BRAH Electric. In the event that we cannot provide a direct replacement, your monies will be refunded in full. We are not responsible for any consequential losses or damages outside of the defective product as well as any replacements or repairs performed by another party without our written authorization from BRAH Electric.

REVISIONS				
ZONE	REV.	DESCRIPTION	DATE	APPROVED



WWW.BRAHELECTRIC.COM, 855-355-2724

* NOTE: BRAH ELECTRIC CONTACTOR B3TH 8022 IS AN AFTERMARKET DIRECT REPLACEMENT FOR SEIMENS 3TH 8022, 3TH SERIES. SUITABLE FOR USE WITH 3TH SERIES MOTOR CONTROL SYSTEMS



PROPRIETARY AND CONFIDENTIAL

THE INFORMATION CONTAINED IN THIS DRAWING IS THE SOLE PROPERTY OF BRAH ELECTRIC ANY REPRODUCTION IN PART OR AS A WHOLE WITHOUT THE WRITTEN PERMISSION OF BRAH ELECTRIC IS PROHIBITED.

UNLESS OTHERWISE NOTED

ALL DIMENSIONS ARE IN INCHES METRIC UNITS ARE DISPLAYED BENEATH IN [MM.]

MATERIAL MOLDED PLASTIC CASE

FINISH

N/A

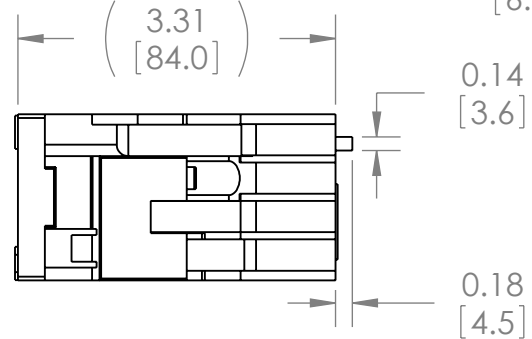
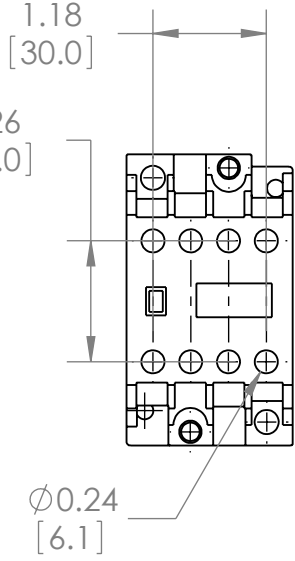
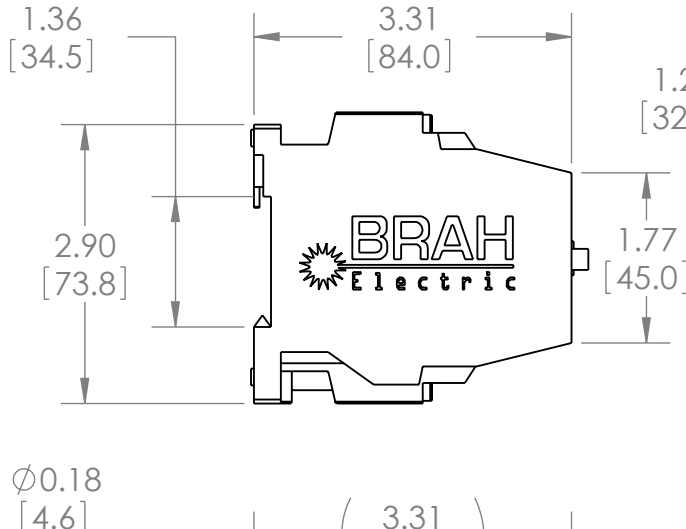
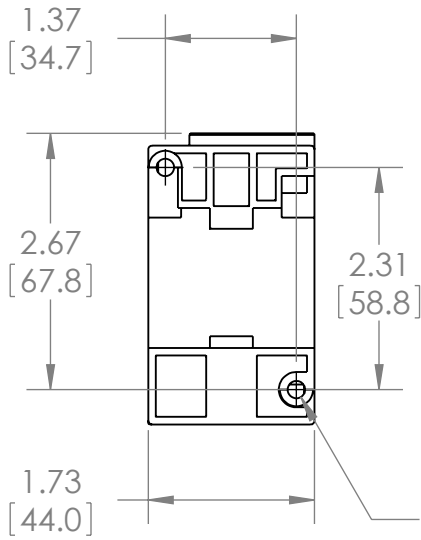
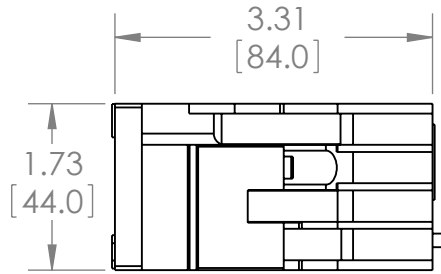
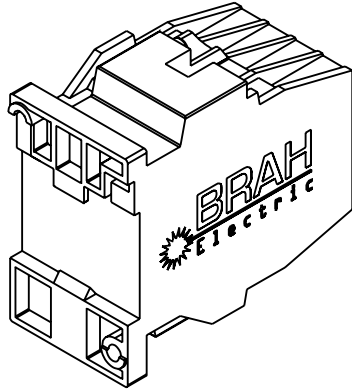
DO NOT SCALE DRAWING



MAGNETIC CONTACTOR

SIZE A	DWG. NO. B3TH8022	REV. A
SCALE: 1:2	WEIGHT: 3.2LBS	SHEET 1 OF 1

REVISIONS				
ZONE	REV.	DESCRIPTION	DATE	APPROVED



* NOTE: BRAH ELECTRIC CONTACTOR B3TH 8022 IS AN AFTERMARKET DIRECT REPLACEMENT FOR SEIMENS 3TH 8022, 3TH SERIES. SUITABLE FOR USE WITH 3TH SERIES MOTOR CONTROL SYSTEMS

THIRD ANGLE PROJECTION

PROPRIETARY AND CONFIDENTIAL

THE INFORMATION CONTAINED IN THIS DRAWING IS THE SOLE PROPERTY OF BRAH ELECTRIC ANY REPRODUCTION IN PART OR AS A WHOLE WITHOUT THE WRITTEN PERMISSION OF BRAH ELECTRIC IS PROHIBITED.

UNLESS OTHERWISE NOTED

ALL DIMENSIONS ARE IN INCHES METRIC UNITS ARE DISPLAYED BENEATH IN [MM.]

MATERIAL: MOLDED PLASTIC CASE

FINISH: N/A

DO NOT SCALE DRAWING

BRAH[®]
Electric

MAGNETIC CONTACTOR

SIZE **A** DWG. NO. **B3TH8022** REV. **A**

SCALE: 1:2 WEIGHT: 3.2LBS SHEET 1 OF 1