



CONTACT US @ 855-355-2724

E-Mail: [Sales@brahelectric.com](mailto:Sales@brahelectric.com)

[www.Brahelectric.com](http://www.Brahelectric.com)

## PRODUCT DATA SHEET

---



### **PART NUMBER- B3TY6560-0A:**

BRAH Electric direct replacement contact kit. 3 Pole, rated for 400 Amp, 600 Volt max, suitable for NEMA size 5 motor starters & contactors, suitable with Siemens World Series model types 3TB56, CLH. Complete assembly kit includes all contacts and related mounting screws & hardware. Kit directly replaces Siemens OEM 3TY6560-0A

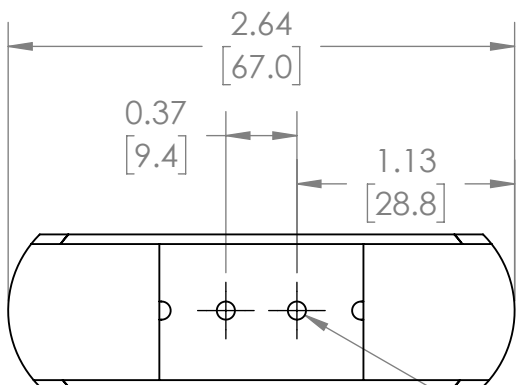
### **PRODUCT SPECIFICATIONS**

CONTACT KITS  
Picture is for reference only,  
Actual Kit may vary slightly

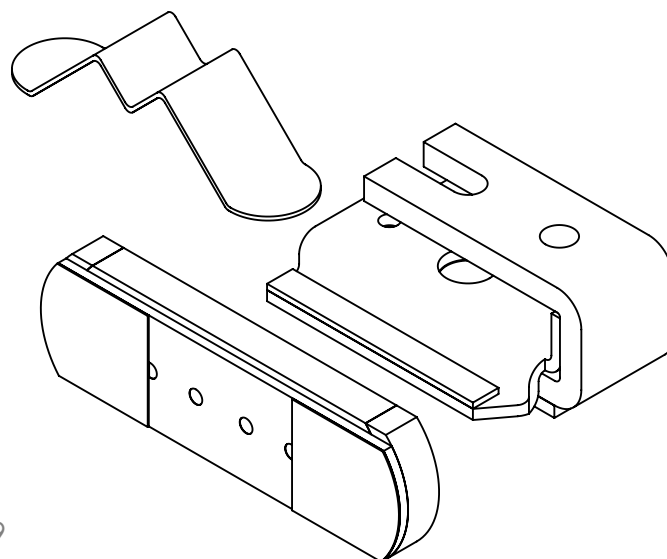
Manufacturer	BRAH Electric
Sub-Category	Contact Kits
Family	World Series
Type	3TY6
Type For	3TB56, CLH
OEM Manufacturer	Siemens
OEM Part Number	3TY6560-0A
Poles	3
Amperage Max	400
Voltage Max	600
NEMA size	5

**Warranty:** All Products sold by BRAH Electric are guaranteed to be free of defect for a period of two years, under the condition that the product has been installed and operated properly. All items proven defective within the one year period will be replaced by BRAH Electric. In the event that we cannot provide a direct replacement, your monies will be refunded in full. We are not responsible for any consequential losses or damages outside of the defective product as well as any replacements or repairs performed by another party without our written authorization from BRAH Electric.

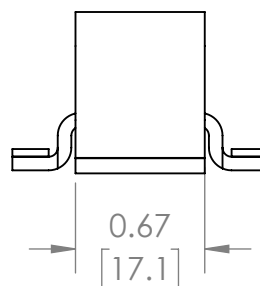
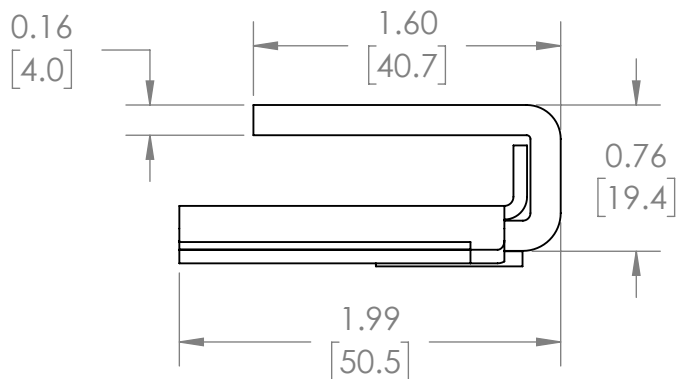
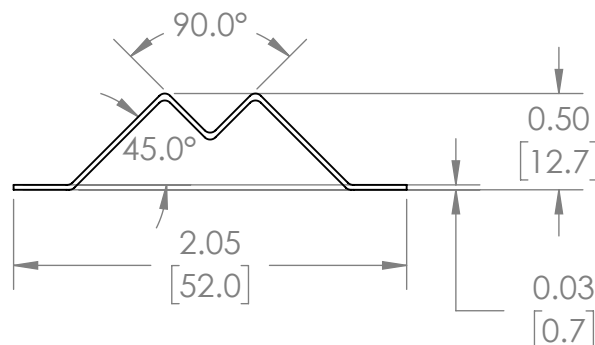
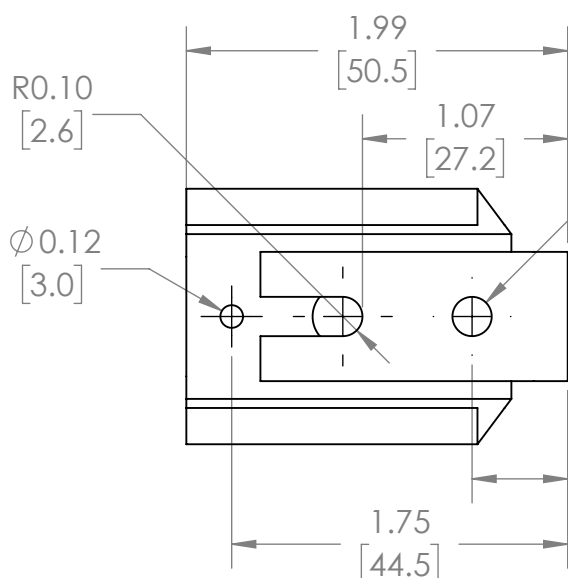
REVISIONS				
ZONE	REV.	DESCRIPTION	DATE	APPROVED



Ø0.09  
[2.4]



ISO VIEW



[WWW.BRAHELECTRIC.COM](http://WWW.BRAHELECTRIC.COM), 855-355-2724

\*NOTE: BRAH ELECTRIC DIRECT REPLACEMENT CONTACT KIT FOR SIEMENS, 3TB WORLD SERIES, TYPE 3TY6, 3 POLE KIT, SUITABLE FOR USE WITH 3TB56 MAGNETIC CONTACTORS & MOTOR STARTERS, NEMA SIZE 5, RATED FOR 400A 600V MAXIMUM

THIRD ANGLE PROJECTION

**PROPRIETARY AND CONFIDENTIAL**

THE INFORMATION CONTAINED IN THIS DRAWING IS THE SOLE PROPERTY OF BRAH ELECTRIC. ANY REPRODUCTION IN PART OR AS A WHOLE WITHOUT THE WRITTEN PERMISSION OF BRAH ELECTRIC IS PROHIBITED.

UNLESS OTHERWISE NOTED  
ALL DIMENSIONS ARE IN INCHES  
METRIC UNITS ARE DISPLAYED  
BENEATH IN [ MM. ]

MATERIAL	-
FINISH	N/A
DO NOT SCALE DRAWING	



**CONTACT KIT**

SIZE	DWG. NO.	REV.
<b>A</b>	<b>B3TY6560-0A</b>	<b>A</b>
SCALE: 1:1	WEIGHT: 3.2 LBS	SHEET 1 OF 1