



CONTACT US @ 855-355-2724

E-Mail: Sales@brahelectric.com

www.Brahelectric.com

PRODUCT DATA SHEET



PART NUMBER- B3TY7480-0A:

BRAH Electric direct replacement contact kit. 3 Pole, rated for 75 Amp, 600 Volt max, suitable for NEMA size 3 motor starters & contactors, suitable with Siemens World Series model types 3TF48, CDF4813, CLHE. Complete assembly kit includes all contacts and related mounting screws & hardware. Kit directly replaces Siemens OEM 3TY7480-0A

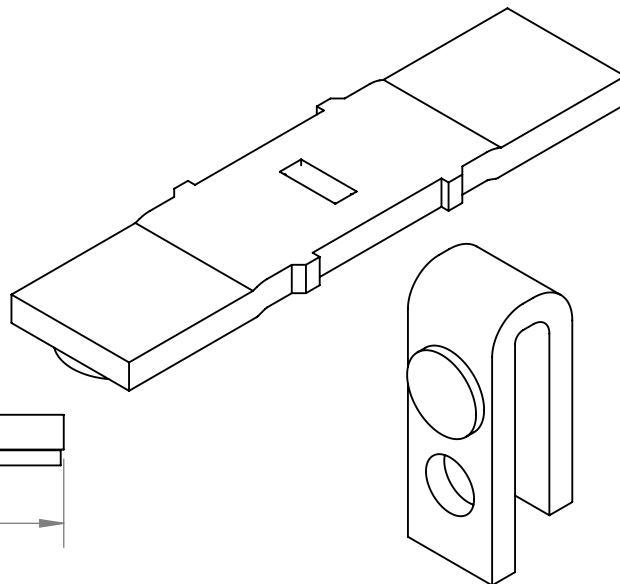
PRODUCT SPECIFICATIONS

CONTACT KITS
Picture is for reference only,
Actual Kit may vary slightly

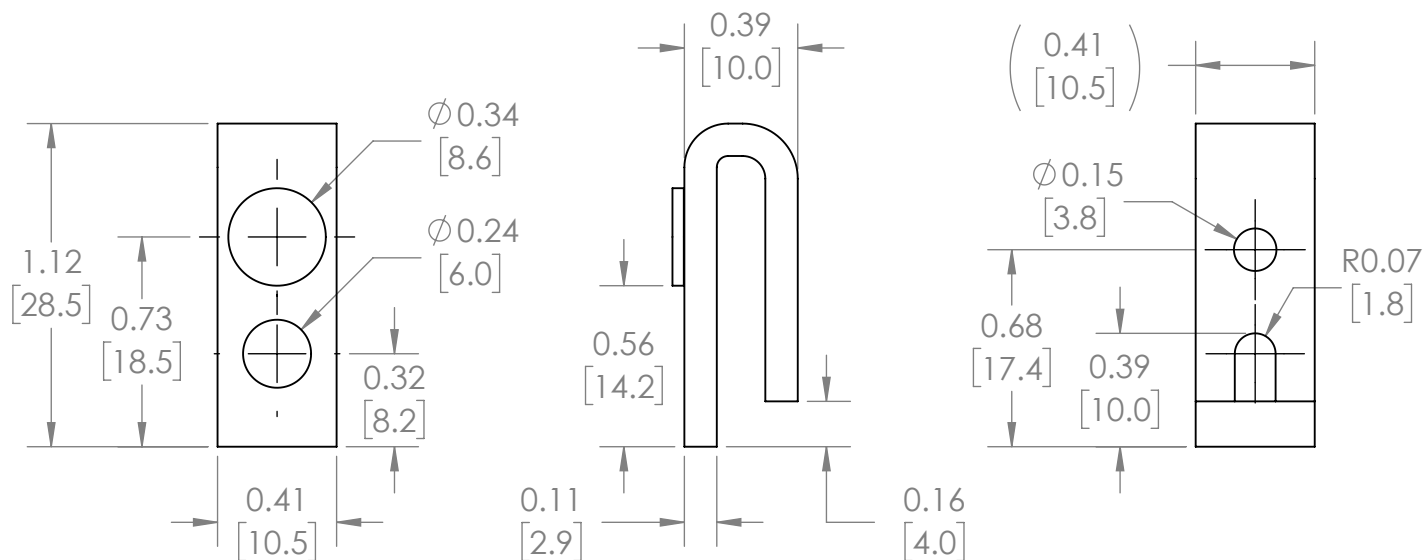
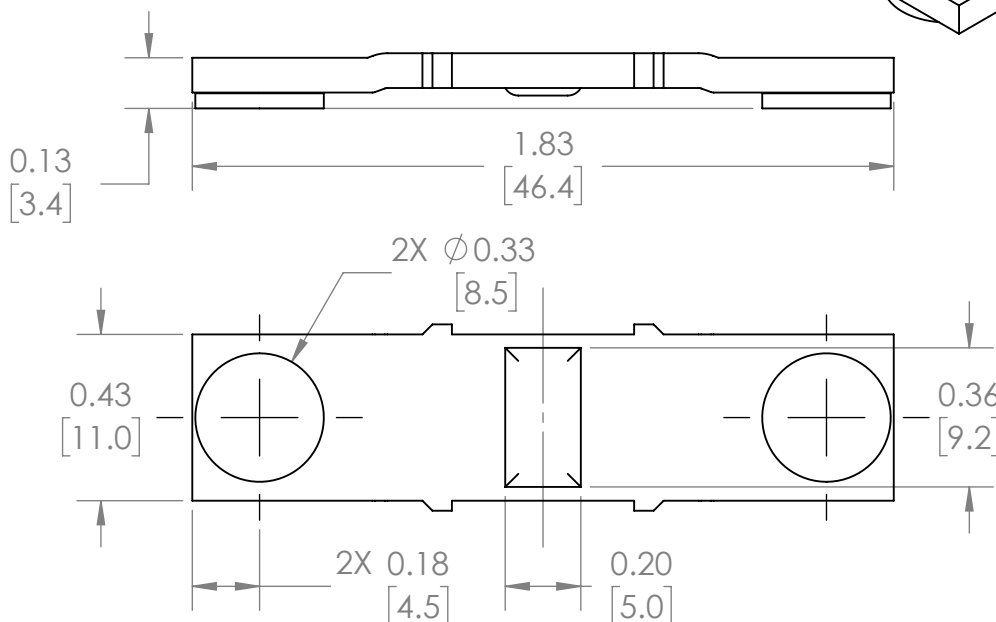
Manufacturer	BRAH Electric
Sub-Category	Contact Kits
Family	World Series
Type	3TY7
Type For	3TF48, CDF4813, CLHE
OEM Manufacturer	Siemens
OEM Part Number	3TY7480-0A
Poles	3
Amperage Max	75
Voltage Max	600
NEMA size	3

Warranty: All Products sold by BRAH Electric are guaranteed to be free of defect for a period of two years, under the condition that the product has been installed and operated properly. All items proven defective within the one year period will be replaced by BRAH Electric. In the event that we cannot provide a direct replacement, your monies will be refunded in full. We are not responsible for any consequential losses or damages outside of the defective product as well as any replacements or repairs performed by another party without our written authorization from BRAH Electric.

REVISIONS				
ZONE	REV.	DESCRIPTION	DATE	APPROVED



ISO VIEW



WWW.BRAHELECTRIC.COM, 855-355-2724

*NOTE: BRAH ELECTRIC DIRECT REPLACEMENT CONTACT KIT FOR SIEMENS, 3TF WORLD SERIES, TYPE 3TY7, 3 POLE KIT, SUITABLE FOR USE WITH 3TF48 MAGNETIC CONTACTORS & MOTOR STARTERS, NEMA SIZE 3, RATED FOR 75A 600V MAXIMUM

<p>THIRD ANGLE PROJECTION</p>	UNLESS OTHERWISE NOTED			
	ALL DIMENSIONS ARE IN INCHES METRIC UNITS ARE DISPLAYED BENEATH IN [MM.]			
<p>PROPRIETARY AND CONFIDENTIAL</p> <p>THE INFORMATION CONTAINED IN THIS DRAWING IS THE SOLE PROPERTY OF BRAH ELECTRIC. ANY REPRODUCTION IN PART OR AS A WHOLE WITHOUT THE WRITTEN PERMISSION OF BRAH ELECTRIC IS PROHIBITED.</p>	MATERIAL	-		<p>CONTACT KIT</p>
	FINISH	N/A		
	DO NOT SCALE DRAWING			
SIZE	DWG. NO.	SCALE:3:2	WEIGHT: 3.2 LBS	REV. A
A	B3TY7480-0A			
			SHEET 1 OF 1	