



CONTACT US @ 855-355-2724

E-Mail: Sales@brahelectric.com

www.Brahelectric.com

PRODUCT DATA SHEET



CONTACT KITS

Picture is for reference only,
Actual Kit may vary slightly

PART NUMBER- B3TY7480-0B:

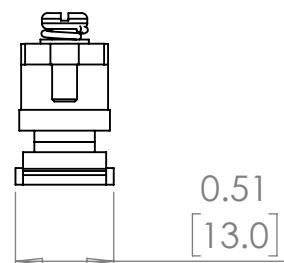
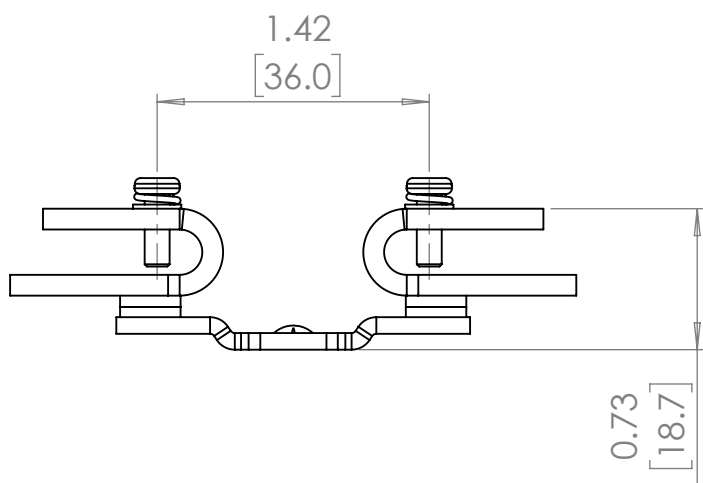
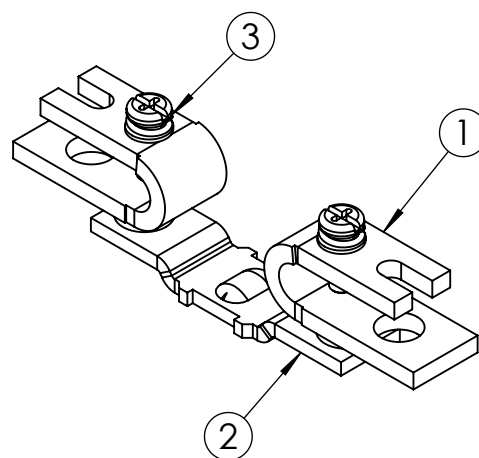
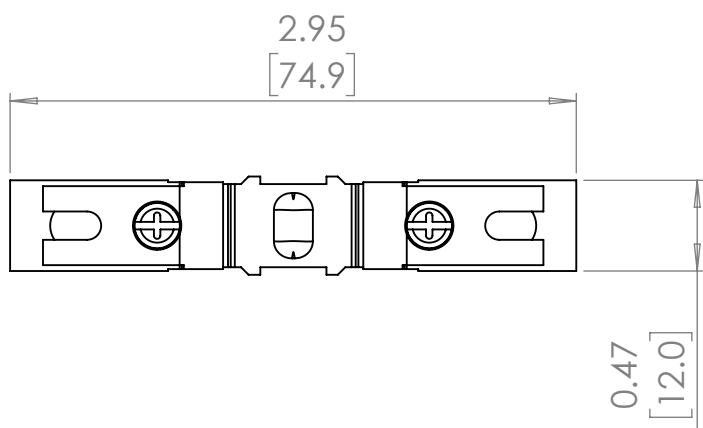
BRAH Electric direct replacement contact kit. 3 Pole, rated for 100 Amp, 600 Volt max, suitable for NEMA size 0 motor starters & contactors, suitable with Furnas/ Siemens 3TK model types 3TK48. Complete assembly kit includes all contacts and related mounting screws & hardware. Kit directly replaces Furnas/Siemens OEM 3TY7480-0B

PRODUCT SPECIFICATIONS

Manufacturer	BRAH Electric
Sub-Category	Contact Kits
Family	3TK Type
Type	B3TY7
Type For	3TK48
OEM Manufacturer	Siemens
OEM Part Number	3TY7480-0B
Poles	3
Amperage Max	100
Voltage Max	600
NEMA size	0

Warranty: All Products sold by BRAH Electric are guaranteed to be free of defect for a period of two years, under the condition that the product has been installed and operated properly. All items proven defective within the one year period will be replaced by BRAH Electric. In the event that we cannot provide a direct replacement, your monies will be refunded in full. We are not responsible for any consequential losses or damages outside of the defective product as well as any replacements or repairs performed by another party without our written authorization from BRAH Electric.

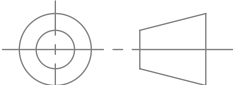

REVISIONS				
ZONE	REV.	DESCRIPTION	DATE	APPROVED



ITEM NO.	PART NUMBER	DESCRIPTION	VENDOR	QTY.
1	B3TY7480-0B	Contact Kit	BRAH	2
2	B3TY7480-0B-01	Contact Kit	BRAH	1
3	B3TY7480-0B- Screw	M4 X 10 with Washers	BRAH	2

* NOTE: BRAH Electric, aftermarket direct replacement contact kits for Siemens ,Type 3TK, 3 pole kit, suitable for use with 3TK48 magnetic contactors & motor starters, NEMA size 0, rated for 600V maximum of 100 Amp.

WWW.BRAHELECTRIC.COM , 855-355-2724

 THIRD ANGLE PROJECTION	UNLESS OTHERWISE NOTED ALL DIMENSIONS ARE IN INCHES METRIC UNITS ARE DISPLAYED BENEATH IN [MM.]		 BRAH Electric <small>Wip</small>
	PROPRIETARY AND CONFIDENTIAL THE INFORMATION CONTAINED IN THIS DRAWING IS THE SOLE PROPERTY OF BRAH ELECTRIC. ANY REPRODUCTION IN PART OR AS A WHOLE WITHOUT THE WRITTEN PERMISSION OF BRAH ELECTRIC IS PROHIBITED.	MATERIAL N/A FINISH N/A DO NOT SCALE DRAWING	
SIZE A DWG. NO. B3TY7480-0B REV. A		SCALE:1:1 WEIGHT: 0.0104 LBS SHEET 1 OF 1	