



CONTACT US @ 855-355-2724

E-Mail: Sales@brahelectric.com

www.Brahelectric.com

PRODUCT DATA SHEET



Coils

Picture is for reference only,
Actual Kit may vary slightly

Coil Voltage Selection Chart B3TY7503-0AXX

B3TY7503-0AC2	24VAC
0AK6	120VAC
0AM1	208VAC
0AP6	240VAC
0AU1	277VAC
0AV0	480VAC

PART NUMBER-B3TY7503-0AC2:

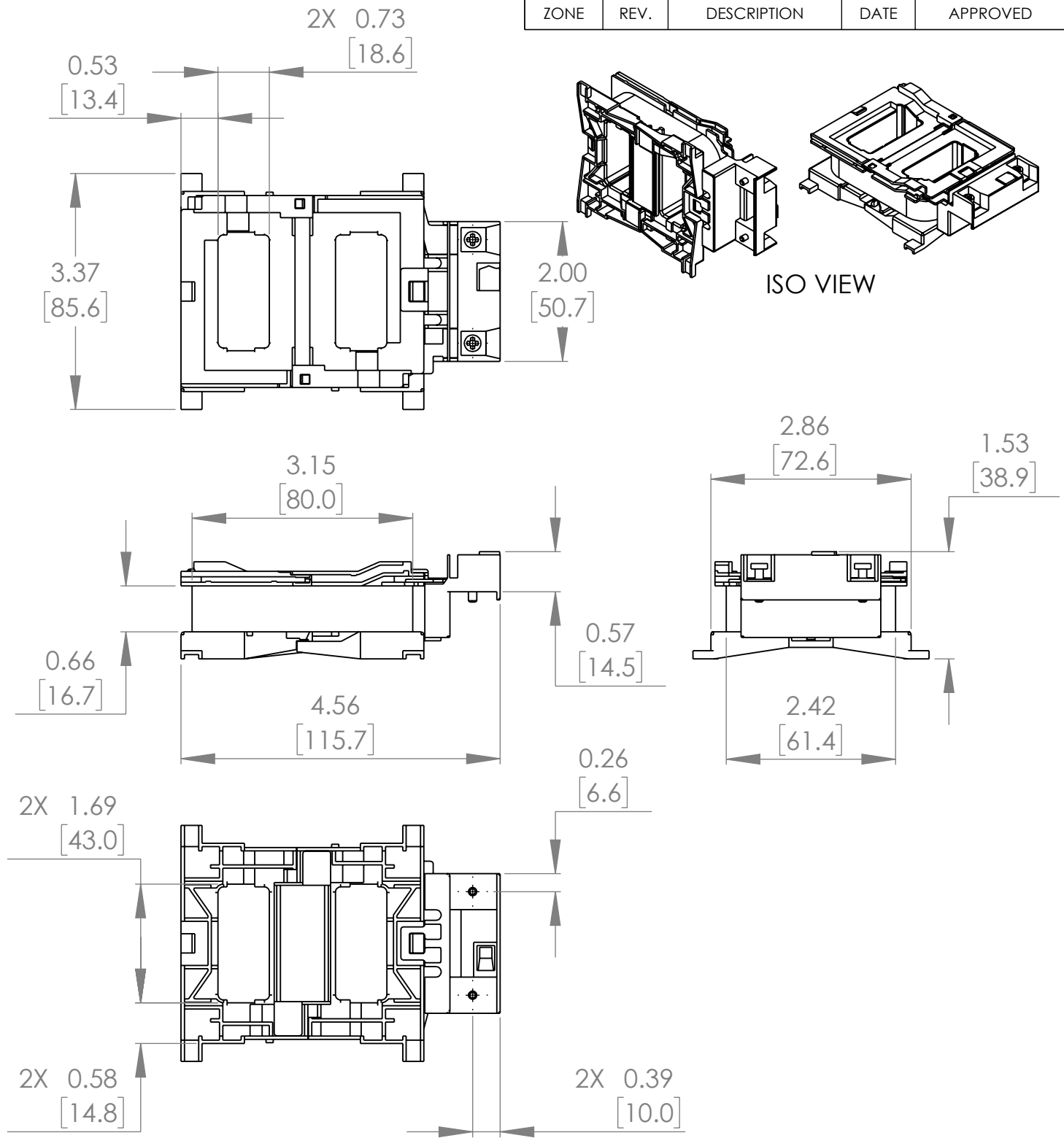
BRAH Electric, Direct replacement aftermarket conversion kit for Siemens, 50/60Hz, magnetic control coil, type 3TY7, suitable for use with Siemens World Series 3TF50 and 3TF51 contactors and motor starters, assembled unit includes control wiring terminals, direct substitute for Siemens OEM 3TY7503-0AC2

PRODUCT SPECIFICATIONS

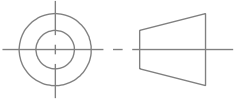

Manufacturer	BRAH Electric
Sub-Category	Coil
Family	World Series
Type	3TY7, B3TY7
Suitable For	3TF50, 3TF51
Voltage	24
Frequency	50/60 Hz

Warranty: All Products sold by BRAH Electric are guaranteed to be free of defect for a period of two years, under the condition that the product has been installed and operated properly. All items proven defective within the one year period will be replaced by BRAH Electric. In the event that we cannot provide a direct replacement, your monies will be refunded in full. We are not responsible for any consequential losses or damages outside of the defective product as well as any replacements or repairs performed by another party without our written authorization from BRAH Electric.

REVISIONS				
ZONE	REV.	DESCRIPTION	DATE	APPROVED



* NOTE: BRAH ELECTRIC COILS ARE A DIRECT REPLACEMENT FOR SIEMENS 3TY7503-0AC2, WORLD SERIES, TYPE B3TY7, 24V AC 60HZ, SUITABLE FOR USE WITH 3TF50, 3TF51 CONTACTORS

 <p>THIRD ANGLE PROJECTION</p>	<p>UNLESS OTHERWISE NOTED</p> <p>ALL DIMENSIONS ARE IN INCHES METRIC UNITS ARE DISPLAYED BENEATH IN [MM.]</p>			
	<p>PROPRIETARY AND CONFIDENTIAL</p> <p>THE INFORMATION CONTAINED IN THIS DRAWING IS THE SOLE PROPERTY OF BRAH ELECTRIC. ANY REPRODUCTION IN PART OR AS A WHOLE WITHOUT THE WRITTEN PERMISSION OF BRAH ELECTRIC IS PROHIBITED.</p>			<p>MATERIAL</p> <p>-</p>
<p>FINISH</p> <p>N/A</p>	<p>DO NOT SCALE DRAWING</p>	<p>SIZE A</p>	<p>DWG. NO. B3TY7503-0AC2</p>	<p>REV. A</p>
		<p>SCALE: 1:2</p>	<p>WEIGHT:</p>	<p>SHEET 1 OF 1</p>