



CONTACT US @ 855-355-2724

E-Mail: Sales@brahelectric.com

www.Brahelectric.com

PRODUCT DATA SHEET



PART NUMBER – B3UA58-00-2B: BRAH Electric, aftermarket direct replacement for Siemens 3UA58-00-2B, overload relays, World Series, type 3UA, rated for 12.50-20.00 amps, suitable for 3TF46, 3TF47, 3TF48, 3TF49 contactors

PRODUCT SPECIFICATIONS

MOTOR STARTER OVERLOAD RELAY
PART NO. B3UA58-00-2B

<i>TYPE</i>	<i>VALUE (UNITS)</i>	<i>NOTES</i>	<i>COMMENTS</i>
<i>PHASE</i>	3		
<i>POLES</i>	3		
<i>AMPERAGE MIN</i>	12.50 (A)		
<i>AMPERAGE MAX</i>	20.00 (A)		
<i>VOLTAGE RATING</i>	600V AC		
<i>TRIP CURRENT</i>	125% OF DIAL SETTING		
<i>SUITABLE FOR USE WITH</i>	3TF46, 3TF47, 3TF48, 3TF49		
<i>RELAY STYLE</i>	SOLID STATE		

ADDITIONAL INFORMATION:

- * Overload relays are configured with adjustable amperage range settings. Many of the models overlap in amperage range, make sure to verify the required range specification for your application.
- * Auxiliary contacts are arranged with screw type terminals. Includes 1 NO & 1 NC auxiliary contact

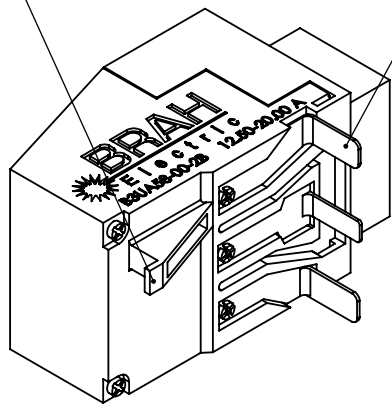
WARRANTY:

All Products sold by BRAH Electric are guaranteed to be free of defect for a period of one year, under the condition that the product has been installed and operated properly. All items proven defective within the one year period will be replaced by BRAH Electric. In the event that we cannot provide a direct replacement, your monies will be refunded in full. We are not responsible for any consequential losses or damages outside of the defective product as well as any replacements or repairs performed by another party without our written authorization from BRAH Electric.

REVISIONS				
ZONE	REV.	DESCRIPTION	DATE	APPROVED

CONNECTION TERMINALS THAT MATE WITH CONTACTOR

MOUNTING INTERFACE INTEGRATES WITH CONTACTOR

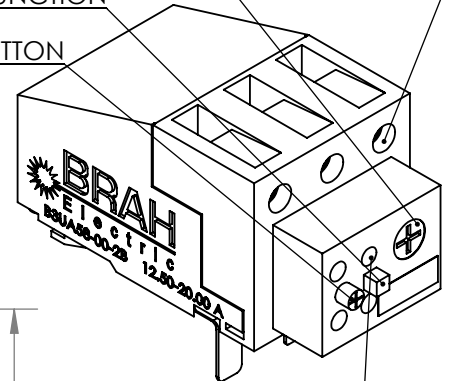


ADJUSTABLE AMPERAGE SETTING

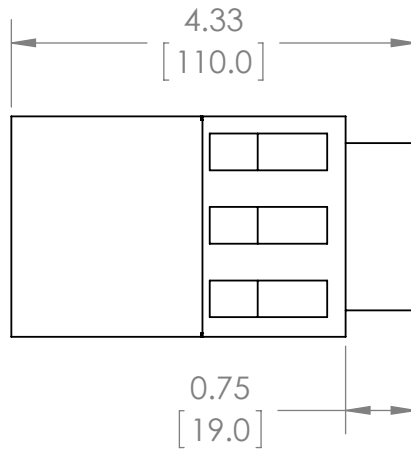
LOAD SIDE WIRE TERMINALS

TEST FUNCTION

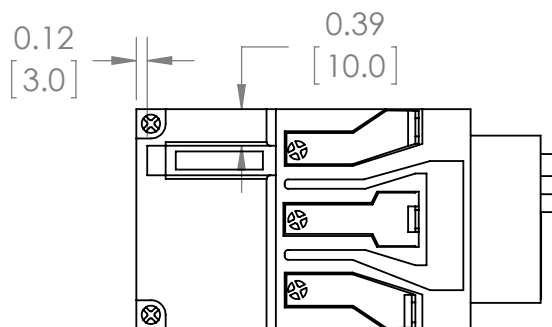
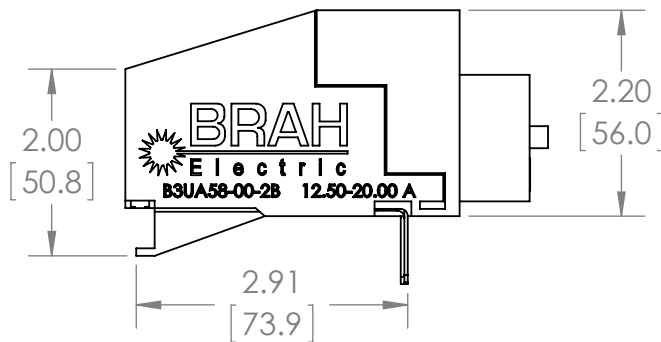
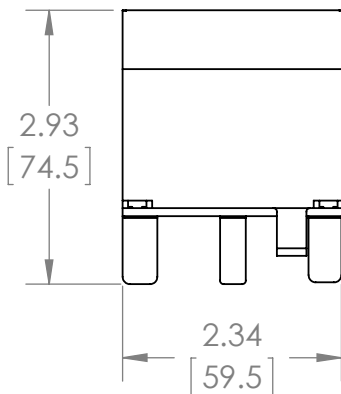
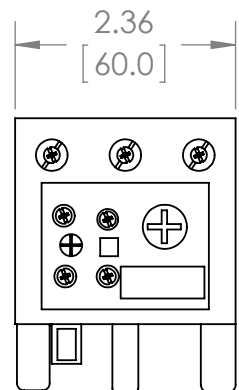
RESET BUTTON



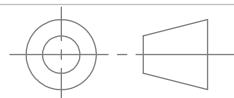
AUXILIARY CONTACTS 1N/O + 1N/C



1.79 [45.5]



* NOTE: THIS BRAH ELECTRIC OVERLOAD RELAY B3UA58-00-2B AN AFTERMARKET DIRECT REPLACEMENT FOR SIEMENS 3UA58-00-2B. SUITABLE FOR USE WITH 3UA MOTOR CONTROL SYSTEMS



THIRD ANGLE PROJECTION

PROPRIETARY AND CONFIDENTIAL
THE INFORMATION CONTAINED IN THIS DRAWING IS THE SOLE PROPERTY OF BRAH ELECTRIC. ANY REPRODUCTION IN PART OR AS A WHOLE WITHOUT THE WRITTEN PERMISSION OF BRAH ELECTRIC IS PROHIBITED.

UNLESS OTHERWISE NOTED

ALL DIMENSIONS ARE IN INCHES
METRIC UNITS ARE DISPLAYED
BENEATH IN [MM.]

MATERIAL: MOLDED CASE
FINISH: N/A
DO NOT SCALE DRAWING



OVERLOAD RELAY

SIZE	DWG. NO.	REV.
A	B3UA58-00-2B	A
SCALE: 1:2	WEIGHT: 3.2 LBS	SHEET 1 OF 1