



CONTACT US @ 855-355-2724

E-Mail: [Sales@brahelectric.com](mailto:Sales@brahelectric.com)

[www.Brahelectric.com](http://www.Brahelectric.com)

## PRODUCT DATA SHEET



**PART NUMBER – B3UA66-00-3B:** 3UA66-00-3B, Siemens, Brahelectric direct replacement overload relays for Siemens, World Series, type 3UA, rated for 125.00-200.00 amps, suitable for use with 3TF54, 3TF55, 3TF56, 3TF57 contactors.

### PRODUCT SPECIFICATIONS

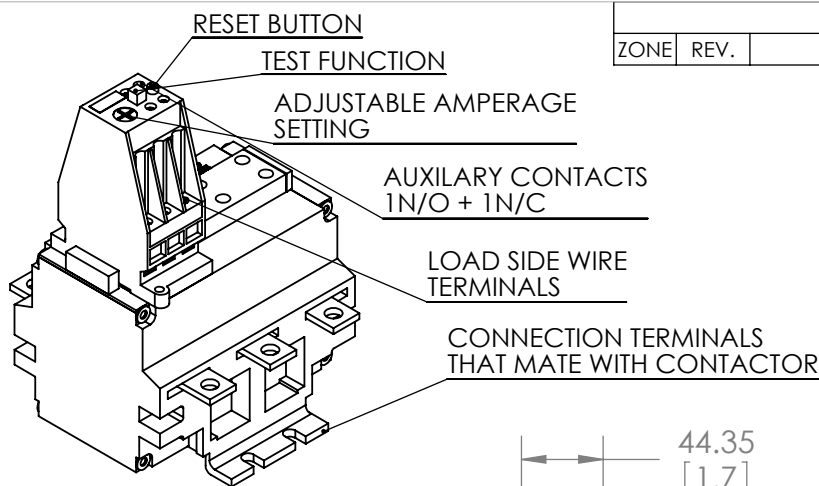
MOTOR STARTER OVERLOAD RELAY  
PART NO. B3UA66-00-3B

<i>TYPE</i>	<i>VALUE (UNITS)</i>	<i>NOTES</i>	<i>COMMENTS</i>
<i>PHASE</i>	3		
<i>POLES</i>	3		
<i>AMPERAGE MIN</i>	125.00 (A)		
<i>AMPERAGE MAX</i>	200.00 (A)		
<i>VOLTAGE RATING</i>	600V AC		
<i>TRIP CURRENT</i>	125% OF DIAL SETTING		
<i>SUITABLE FOR USE WITH</i>	3TF54, 3TF55, 3TF56, 3TF57		
<i>RELAY STYLE</i>	SOLID STATE		

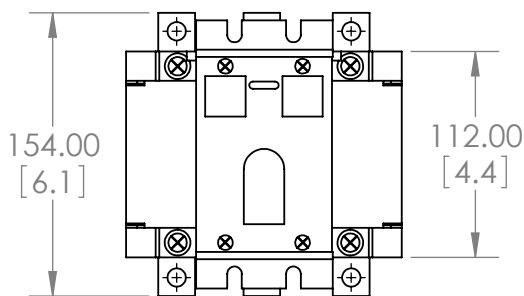
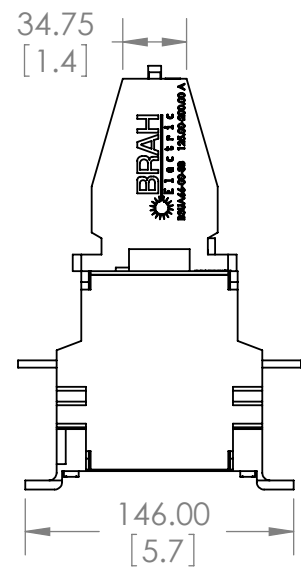
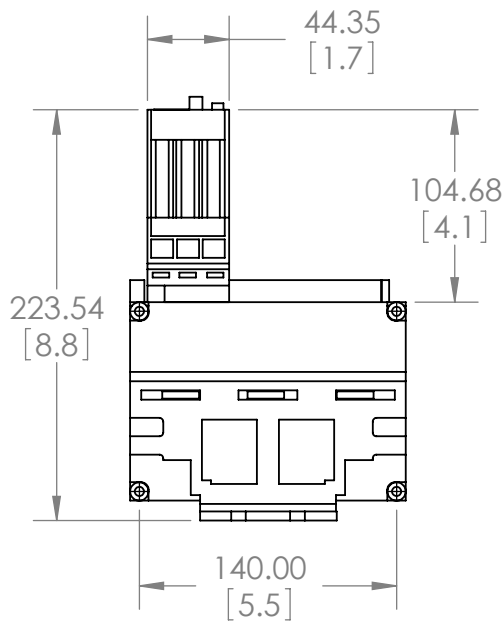
#### ADDITIONAL INFORMATION:

- \* Overload relays are configured with adjustable amperage range settings. Many of the models overlap in amperage range, make sure to verify the required range specification for your application.
- \* Auxiliary contacts are arranged with screw type terminals. Includes 1 NO & 1 NC auxiliary contact

**Warranty:** All Products sold by BRAH Electric are guaranteed to be free of defect for a period of one year, under the condition that the product has been installed and operated properly. All items proven defective within the one year period will be replaced by BRAH Electric. In the event that we cannot provide a direct replacement, your monies will be refunded in full. We are not responsible for any consequential losses or damages outside of the defective product as well as any replacements or repairs performed by another party without our written authorization from BRAH Electric.

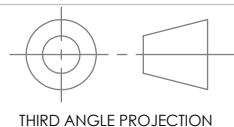


REVISIONS				
ZONE	REV.	DESCRIPTION	DATE	APPROVED



[WWW.BRAHELECTRIC.COM](http://WWW.BRAHELECTRIC.COM), 855-355-2724

\*NOTE: BRAH ELECTRIC CONTACTOR B3UA66-00-3B IS AN AFTERMARKET DIRECT REPLACEMENT FOR 3UA66-00-3B, 3UA SERIES. SUITABLE FOR USE WITH 3UA SERIES MOTOR CONTROL SYSTEMS



**PROPRIETARY AND CONFIDENTIAL**  
 THE INFORMATION CONTAINED IN THIS DRAWING IS THE SOLE PROPERTY OF BRAH ELECTRIC. ANY REPRODUCTION IN PART OR AS A WHOLE WITHOUT THE WRITTEN PERMISSION OF BRAH ELECTRIC IS PROHIBITED.

UNLESS OTHERWISE NOTED  
 ALL DIMENSIONS ARE IN INCHES  
 METRIC UNITS ARE DISPLAYED  
 BENEATH IN [ MM. ]

MATERIAL  
 MOLDED CASE

FINISH  
 N/A

DO NOT SCALE DRAWING



**OVERLOAD RELAY**

SIZE <b>A</b>	DWG. NO. <b>B3UA66-00-3B</b>	REV. <b>A</b>
SCALE: 1:4	WEIGHT: 3.2 LBS	SHEET 1 OF 1