



CONTACT US @ 855-355-2724

E-Mail: Sales@brahelectric.com

www.Brahelectric.com

PRODUCT DATA SHEET



CONTACT KITS

Picture is for reference only,
Actual Kit may vary slightly

PART NUMBER- B40430-300-51:

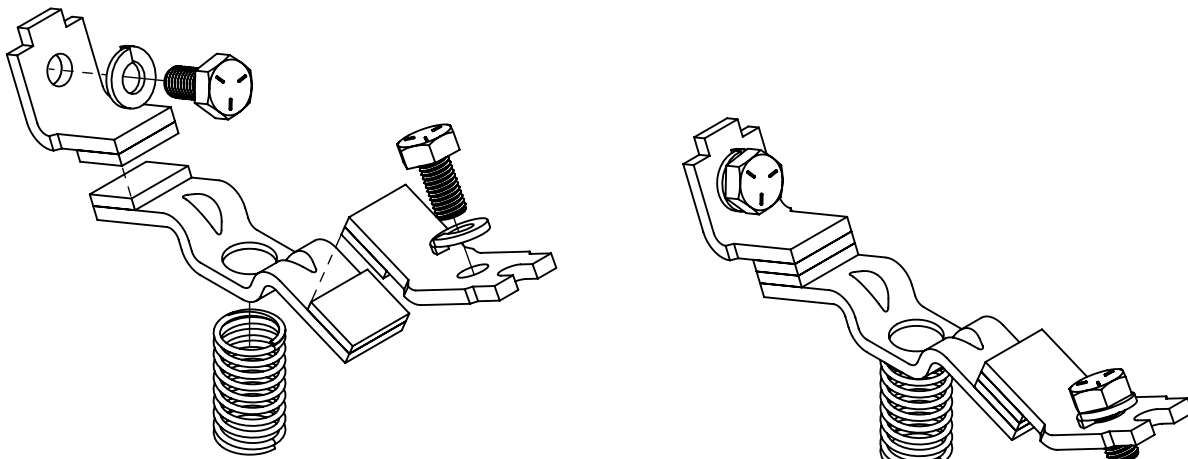
BRAH Electric direct replacement contact kit. 1 Pole, rated for 90 Amp, 600 Volt max, suitable for NEMA size 3 motor starters & contactors, suitable with Allen Bradley Bulletin 500 Line model types 500-D, 505-D, 509-D. Complete assembly kit includes all contacts and related mounting screws & hardware. Kit directly replaces Allen Bradley OEM 40430-300-51

PRODUCT SPECIFICATIONS

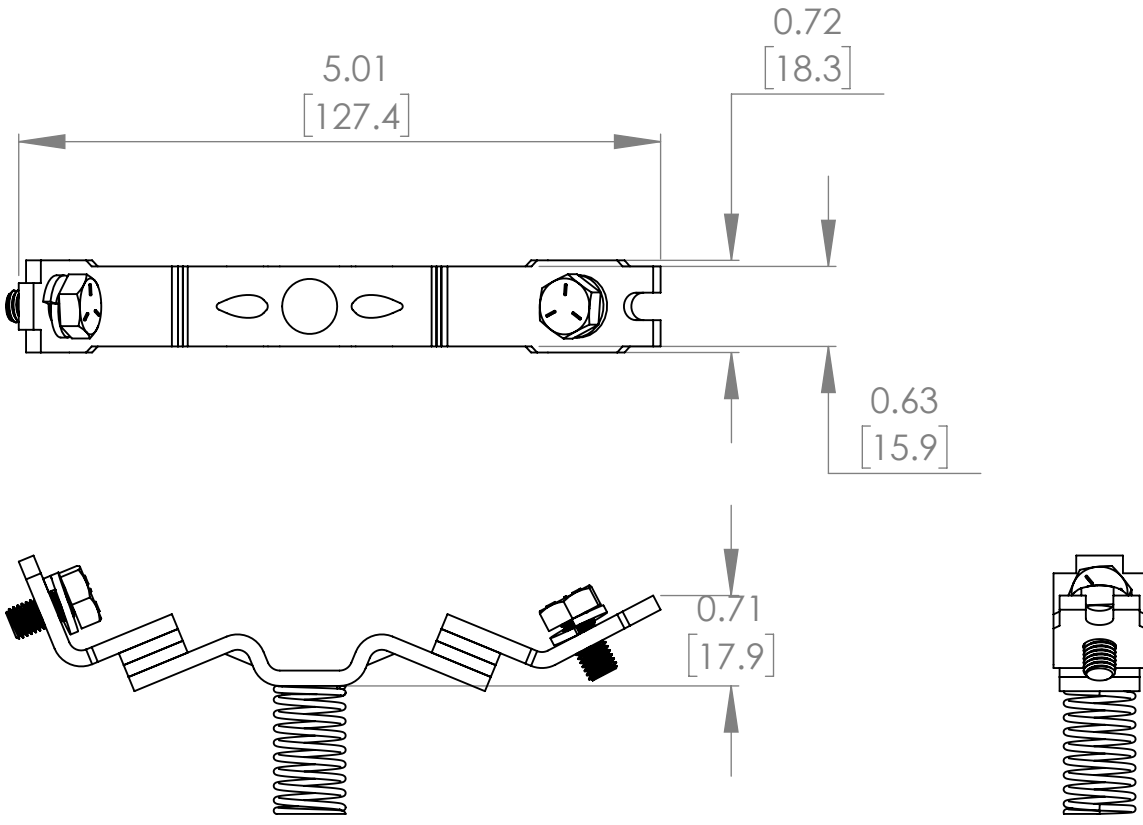
Manufacturer	BRAH Electric
Sub-Category	Contact Kits
Family	Bulletin 500 Line
Type	404
Type For	500-D, 505-D, 509-D
OEM Manufacturer	Allen Bradley
OEM Part Number	40430-300-51
Poles	1
Amperage Max	90
Voltage Max	600
NEMA size	3

Warranty: All Products sold by BRAH Electric are guaranteed to be free of defect for a period of two years, under the condition that the product has been installed and operated properly. All items proven defective within the one year period will be replaced by BRAH Electric. In the event that we cannot provide a direct replacement, your monies will be refunded in full. We are not responsible for any consequential losses or damages outside of the defective product as well as any replacements or repairs performed by another party without our written authorization from BRAH Electric.

REVISIONS				
ZONE	REV.	DESCRIPTION	DATE	APPROVED



EXPLODED VIEW



WWW.BRAHELECTRIC.COM, 855-355-2724

* NOTE: BRAH Electric, aftermarket direct replacement contact kits for Allen Bradley, Bulletin 500, B404, 1 pole kit, suitable for use with 500-D, 505-D, 509-D magnetic contactors & motor starters, NEMA size 3, rated for 90A 600V maximum

<p>THIRD ANGLE PROJECTION</p>	<p>UNLESS OTHERWISE NOTED</p> <p>ALL DIMENSIONS ARE IN INCHES METRIC UNITS ARE DISPLAYED BENEATH IN [MM.]</p>	
	<p>PROPRIETARY AND CONFIDENTIAL</p> <p>THE INFORMATION CONTAINED IN THIS DRAWING IS THE SOLE PROPERTY OF BRAH ELECTRIC. ANY REPRODUCTION IN PART OR AS A WHOLE WITHOUT THE WRITTEN PERMISSION OF BRAH ELECTRIC IS PROHIBITED.</p>	
<p>MATERIAL N/A</p> <p>FINISH N/A</p> <p>DO NOT SCALE DRAWING</p>	<p>SIZE A DWG. NO. B40430-300-51</p> <p>SCALE: 1:1.5 WEIGHT: 3.2 LBS SHEET 1 OF 1</p>	<p>REV. A</p>