



CONTACT US @ 855-355-2724

E-Mail: Sales@brahelectric.com

www.Brahelectric.com

PRODUCT DATA SHEET



CONTACT KITS

Picture is for reference only,
Actual Kit may vary slightly

PART NUMBER- B477B477G05:

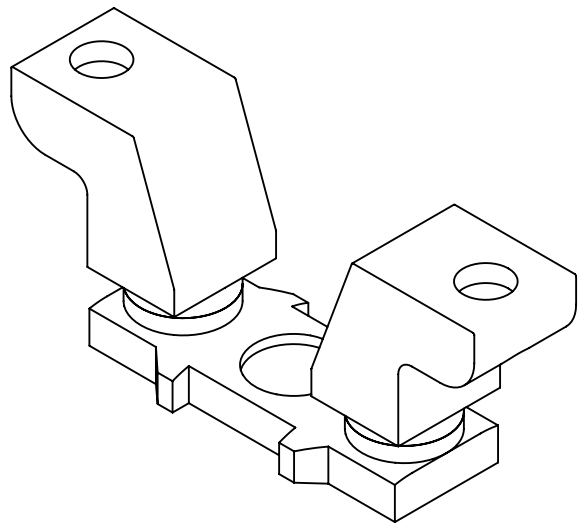
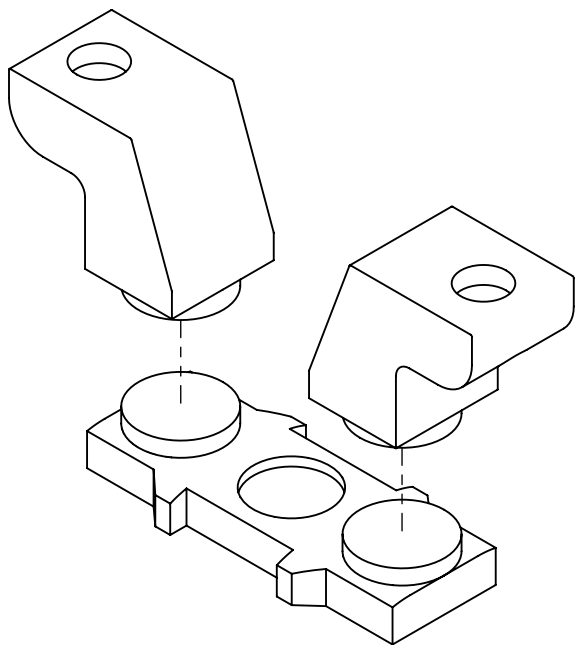
BRAH Electric direct replacement contact kit. 3 Pole, rated for 270 Amp, 600 Volt max, suitable for NEMA size 5 motor starters & contactors, suitable with Westinghouse A200 Series A200, A201, A210, A211. Complete assembly kit includes all contacts and related mounting screws & hardware. Kit directly replaces Westinghouse OEM 477B477G05

PRODUCT SPECIFICATIONS

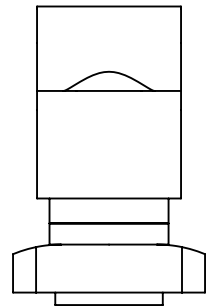
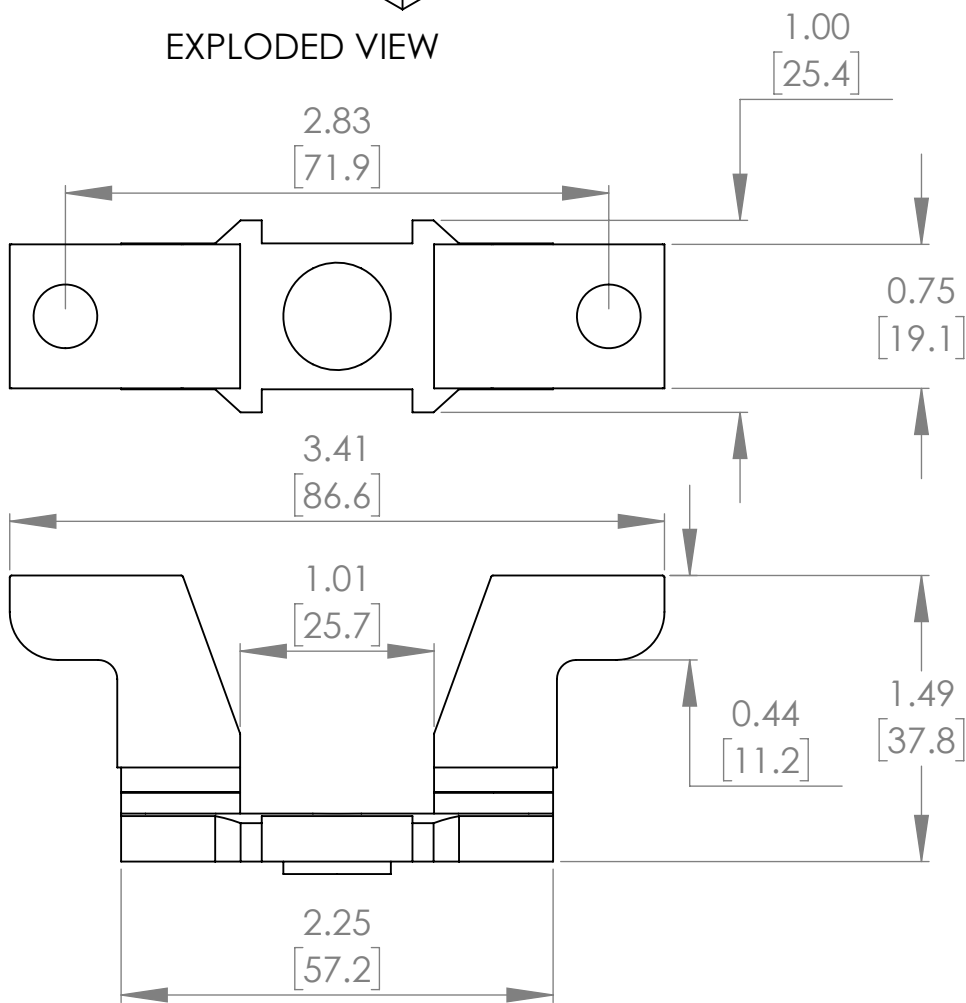
Manufacturer	BRAH Electric
Sub-Category	Contact Kits
Family	A200 Series
Type	477
Type For	A200, A201, A210, A211
OEM Manufacturer	Westinghouse
OEM Part Number	477B477G05
Poles	3
Amperage Max	270
Voltage Max	600
NEMA size	5

Warranty: All Products sold by BRAH Electric are guaranteed to be free of defect for a period of two years, under the condition that the product has been installed and operated properly. All items proven defective within the one year period will be replaced by BRAH Electric. In the event that we cannot provide a direct replacement, your monies will be refunded in full. We are not responsible for any consequential losses or damages outside of the defective product as well as any replacements or repairs performed by another party without our written authorization from BRAH Electric.

REVISIONS				
ZONE	REV.	DESCRIPTION	DATE	APPROVED

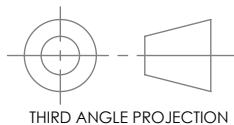


EXPLODED VIEW



WWW.BRAHELECTRIC.COM, 855-355-2724

* NOTE: BRAH Electric, aftermarket direct replacement contact kits for Westinghouse, A200 Series, B373, 3 pole kit, suitable for use with A200, A201, A210, A211 magnetic contactors & motor starters, NEMA size 5, rated for 270A, 600V maximum



PROPRIETARY AND CONFIDENTIAL

THE INFORMATION CONTAINED IN THIS DRAWING IS THE SOLE PROPERTY OF BRAH ELECTRIC. ANY REPRODUCTION IN PART OR AS A WHOLE WITHOUT THE WRITTEN PERMISSION OF BRAH ELECTRIC IS PROHIBITED.

UNLESS OTHERWISE NOTED
ALL DIMENSIONS ARE IN INCHES
METRIC UNITS ARE DISPLAYED
BENEATH IN [MM.]

MATERIAL
N/A
FINISH
N/A
DO NOT SCALE DRAWING



CONTACT KIT

SIZE A	DWG. NO. B477B477G05	REV. A
SCALE: 1:1	WEIGHT: 3.2 LBS	SHEET 1 OF 1