



CONTACT US @ 855-355-2724

E-Mail: [Sales@brahelectric.com](mailto:Sales@brahelectric.com)

[www.Brahelectric.com](http://www.Brahelectric.com)

## PRODUCT DATA SHEET



### **PART NUMBER- B546A300G002:**

BRAH Electric direct replacement contact kit. 4 Pole, rated for 18 Amp, 600 Volt max, suitable for NEMA size 0 motor starters & contactors, suitable with General Electric 200 and 300 Line model types CR105, CR109, CR106, CR205, CR206, CR209, CR305B, CR306B, CR309B. Complete assembly kit includes all contacts and related mounting screws & hardware. Kit directly replaces General Electric OEM 546A300G002

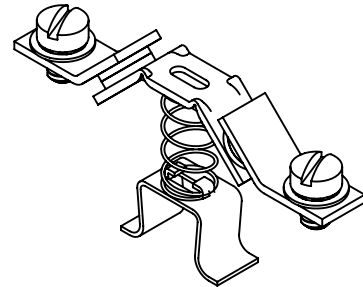
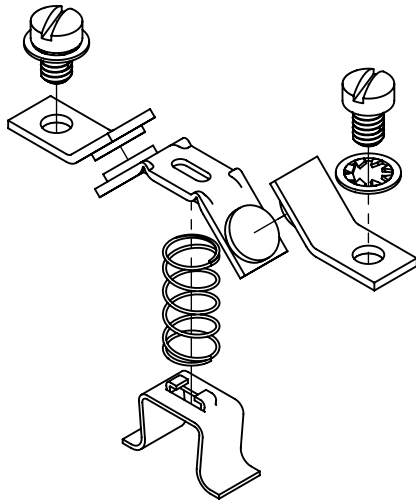
### **PRODUCT SPECIFICATIONS**

CONTACT KITS  
Picture is for reference only,  
Actual Kit may vary slightly

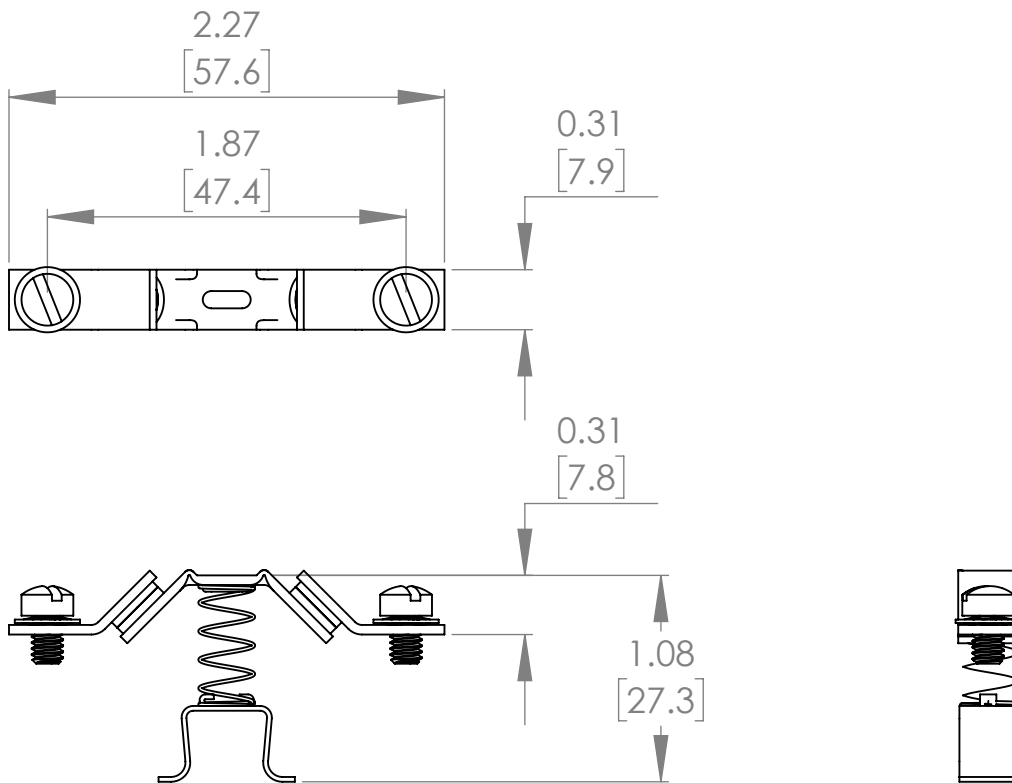
|                  |  |
|------------------|--|
| Manufacturer     | BRAH Electric  |
| Sub-Category     | Contact Kits   |
| Family           | 200 And 300 Line   |
| Type             | 546A   |
| Type For         | CR105, CR109, CR106, CR205, CR206, CR209, CR305B, CR306B, CR309B |
| OEM Manufacturer | General Electric   |
| OEM Part Number  | 546A300G002  |
| Poles            | 4  |
| Amperage Max     | 18   |
| Voltage Max      | 600  |
| NEMA size        | 0  |

**Warranty:** All Products sold by BRAH Electric are guaranteed to be free of defect for a period of two years, under the condition that the product has been installed and operated properly. All items proven defective within the one year period will be replaced by BRAH Electric. In the event that we cannot provide a direct replacement, your monies will be refunded in full. We are not responsible for any consequential losses or damages outside of the defective product as well as any replacements or repairs performed by another party without our written authorization from BRAH Electric.

| REVISIONS |      |             |      |          |
|-----------|------|-------------|------|----------|
| ZONE      | REV. | DESCRIPTION | DATE | APPROVED |

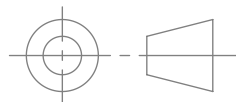


EXPLODED VIEW



[WWW.BRAHELECTRIC.COM](http://WWW.BRAHELECTRIC.COM), 855-355-2724

\* NOTE: BRAH Electric, aftermarket contact kit for General Electric 200 Line and 300 Line CR105, CR109, CR106, CR205, CR206, CR209, CR305B, CR306B, CR309B contactors with 4 poles, rated for 18A, 600V maximum and NEMA size 0



THIRD ANGLE PROJECTION

**PROPRIETARY AND CONFIDENTIAL**

THE INFORMATION CONTAINED IN THIS DRAWING IS THE SOLE PROPERTY OF BRAH ELECTRIC. ANY REPRODUCTION IN PART OR AS A WHOLE WITHOUT THE WRITTEN PERMISSION OF BRAH ELECTRIC IS PROHIBITED.

UNLESS OTHERWISE NOTED  
ALL DIMENSIONS ARE IN INCHES  
METRIC UNITS ARE DISPLAYED  
BENEATH IN [ MM. ]

MATERIAL  
N/A  
FINISH  
N/A  
DO NOT SCALE DRAWING



**CONTACT KIT**

|                  |                                 |                  |
|------------------|---------------------------------|------------------|
| SIZE<br><b>A</b> | DWG. NO.<br><b>B546A300G002</b> | REV.<br><b>A</b> |
| SCALE: 1:1       | WEIGHT: 3.2 LBS                 | SHEET 1 OF 1     |