



CONTACT US @ 855-355-2724

E-Mail: Sales@brahelectric.com

www.Brahelectric.com

PRODUCT DATA SHEET



PART NUMBER- B55-153677G002:

BRAH Electric direct replacement contact kit. 3 Pole, rated for 90 Amp, 600 Volt max, suitable for NEMA size 3 motor starters & contactors, suitable with General Electric 200 and 300 Line model types CR105, CR106, CR109, CR205, CR206, CR209, CR305E, CR306E, CR309E. Complete assembly kit includes all contacts and related mounting screws & hardware. Kit directly replaces General Electric OEM 55-153677G002

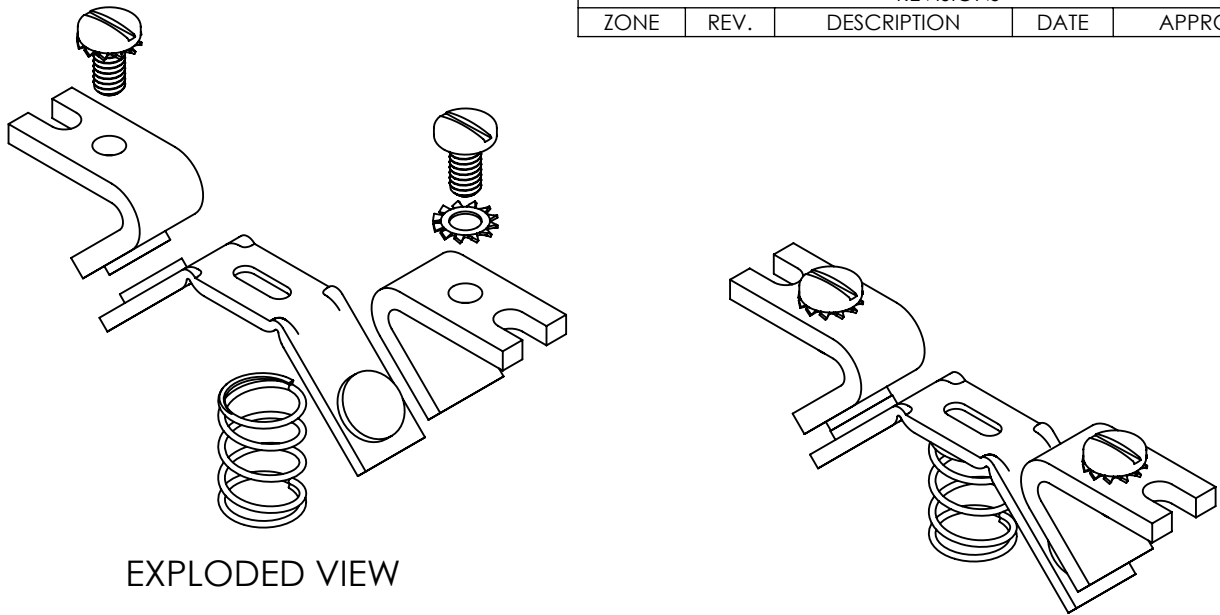
PRODUCT SPECIFICATIONS

CONTACT KITS
Picture is for reference only,
Actual Kit may vary slightly

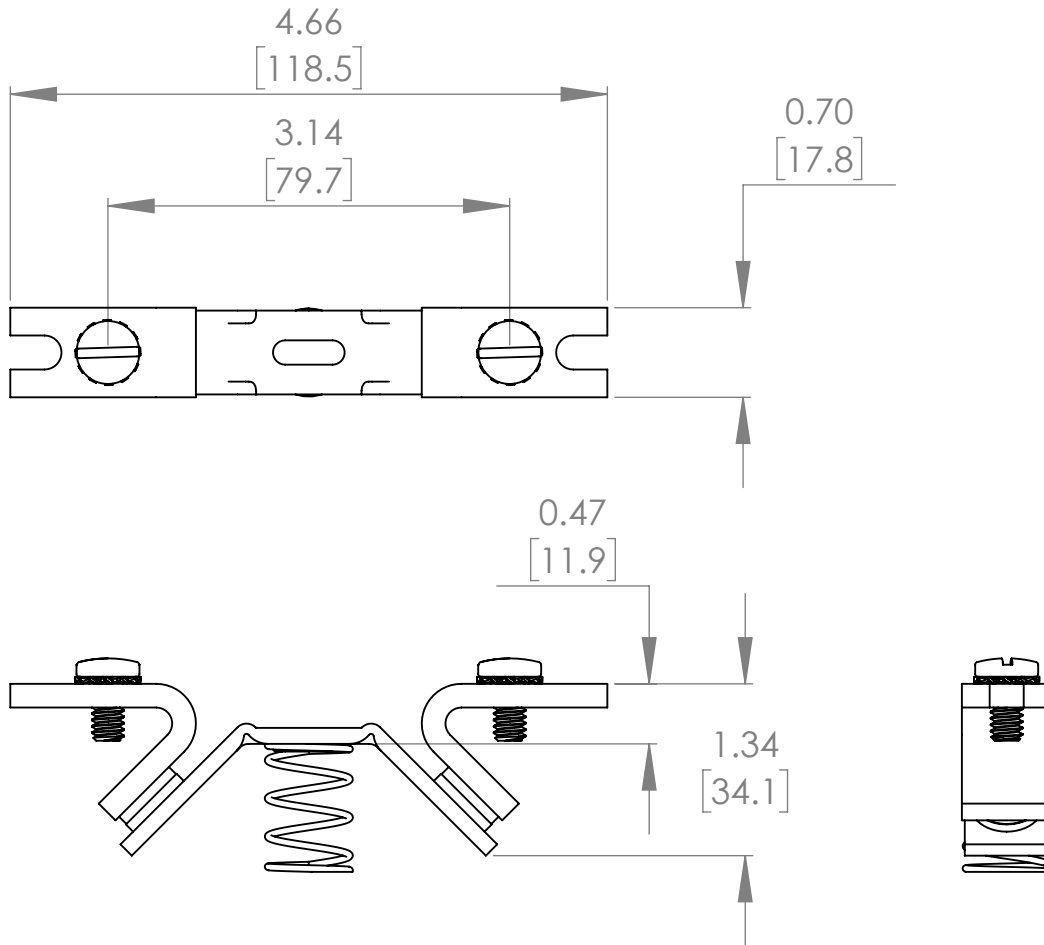
Manufacturer	BRAH Electric
Sub-Category	Contact Kits
Family	200 and 300 Line
Type	55-1
Type For	CR105, CR106, CR109, CR205, CR206, CR209, CR305E, CR306E, CR309E
OEM Manufacturer	General Electric
OEM Part Number	55-153677G002
Poles	3
Amperage Max	90
Voltage Max	600
NEMA size	3

Warranty: All Products sold by BRAH Electric are guaranteed to be free of defect for a period of two years, under the condition that the product has been installed and operated properly. All items proven defective within the one year period will be replaced by BRAH Electric. In the event that we cannot provide a direct replacement, your monies will be refunded in full. We are not responsible for any consequential losses or damages outside of the defective product as well as any replacements or repairs performed by another party without our written authorization from BRAH Electric.

REVISIONS				
ZONE	REV.	DESCRIPTION	DATE	APPROVED



EXPLODED VIEW



WWW.BRAHELECTRIC.COM, 855-355-2724

* NOTE: BRAH Electric, aftermarket direct replacement contact kits for GE, 100, 200 and 300 Line, B55-1, 3 pole kit, suitable for use with CR105, CR106, CR109, CR205, CR206, CR209, CR305E, CR306E, CR309E magnetic contactors & motor starters, NEMA size 3, rated for 90A 600V maximum

<p>THIRD ANGLE PROJECTION</p>	<p>UNLESS OTHERWISE NOTED</p> <p>ALL DIMENSIONS ARE IN INCHES METRIC UNITS ARE DISPLAYED BENEATH IN [MM.]</p>			
	<p>PROPRIETARY AND CONFIDENTIAL</p> <p>THE INFORMATION CONTAINED IN THIS DRAWING IS THE SOLE PROPERTY OF BRAH ELECTRIC. ANY REPRODUCTION IN PART OR AS A WHOLE WITHOUT THE WRITTEN PERMISSION OF BRAH ELECTRIC IS PROHIBITED.</p>			<p>MATERIAL N/A</p> <p>FINISH N/A</p> <p>DO NOT SCALE DRAWING</p>
<p>SIZE A DWG. NO. B55-153677G002 REV. A</p>		<p>SCALE: 1:1.5</p>	<p>WEIGHT: 3.2 LBS</p>	<p>SHEET 1 OF 1</p>