



CONTACT US @ 855-355-2724

E-Mail: Sales@brahelectric.com

www.Brahelectric.com

PRODUCT DATA SHEET



Contact Kits

Picture is for reference only,
Actual Kit may vary slightly

PART NUMBER-B55-153678G002:

BRAH Electric, direct replacement, after market, contact kits for General Electric 3 pole contact kit, rated for 135amp, 600 volt max, suitable for NEMA size 4 motor starters and contactors, suitable with General Electric 200 and 300 Line model types CR105, CR106, CR109, CR205, CR206, CR209, CR305F, CR306F, CR309F, complete assembly kit includes all contacts and related mounting screws and hardware, direct substitute for General Electric OEM 55-153678G002

Amperage selection chart B55-153678G002

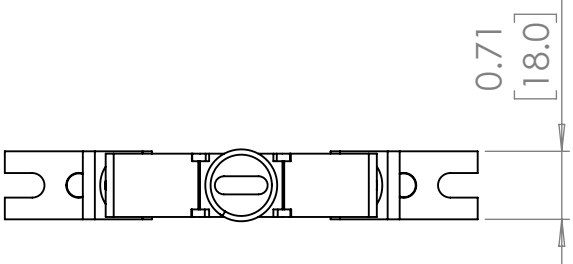
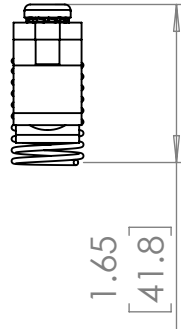
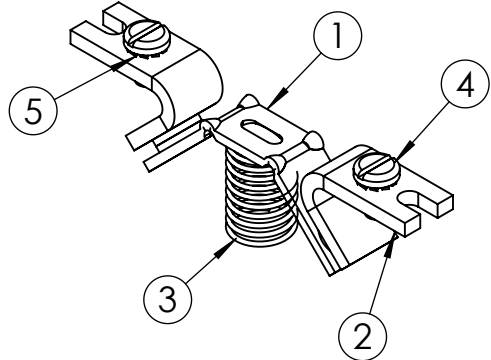
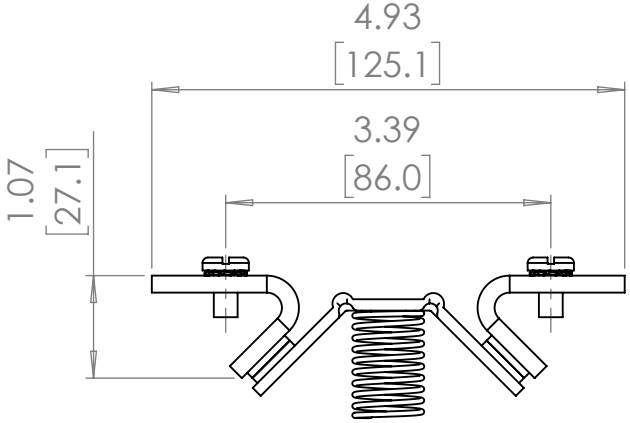
B55-153677G002	90 A
B55-153678G002	135 A
B55-154607G002	270 A
B55-154607G041	270 A

PRODUCT SPECIFICATION

Manufacturer	BRAH Electric
Sub-Category	Contact Kit
Family	207 Line, 300 Line
Type	55-1, B55-1
Suitable For	CR105, CR106, CR109, CR205, CR206, CR209, CR305F, CR306F, CR309F
Amperage	135
Voltage	600
Poles	3

Warranty: All Products sold by BRAH Electric are guaranteed to be free of defect for a period of two years, under the condition that the product has been installed and operated properly. All items proven defective within the one year period will be replaced by BRAH Electric. In the event that we cannot provide a direct replacement, your monies will be refunded in full. We are not responsible for any consequential losses or damages outside of the defective product as well as any replacements or repairs performed by another party without our written authorization from BRAH Electric.



REVISIONS				
ZONE	REV.	DESCRIPTION	DATE	APPROVED



ITEM NO.	PART NUMBER	DESCRIPTION	VENDOR	QTY.
1	B55-153678G002	Contact Kit	BRAH	3
2	B55-153678G002-01	Contact Kit	BRAH	6
3	B55-153678G002-Spring	Spring	BRAH	3
4	B55-153678G002-Screw	1/4 - 20 UNC X 1/2 "	BRAH	6
5	B55-153678G002-Washer	Washer	BRAH	6

* NOTE: BRAH Electric, aftermarket direct replacement contact kits for General Electric, Type 55-1, 3 pole kit, suitable for use with General Electric 200 and 300 Line model types CR105,CR106,CR109,CR205,CR206, CR209,CR305F,CR306F,CR309F,NEMA size 4, rated for 135A 600V maximum

WWW.BRAHELECTRIC.COM, 855-355-2724

 THIRD ANGLE PROJECTION	UNLESS OTHERWISE NOTED ALL DIMENSIONS ARE IN INCHES METRIC UNITS ARE DISPLAYED BENEATH IN [MM.]	 BRAH Electric <small>Wip</small>
	PROPRIETARY AND CONFIDENTIAL THE INFORMATION CONTAINED IN THIS DRAWING IS THE SOLE PROPERTY OF BRAH ELECTRIC. ANY REPRODUCTION IN PART OR AS A WHOLE WITHOUT THE WRITTEN PERMISSION OF BRAH ELECTRIC IS PROHIBITED.	
MATERIAL N/A FINISH N/A DO NOT SCALE DRAWING	SIZE A DWG. NO. B55-153678G002 REV. A	SCALE:1:2 WEIGHT: 0.304 LBS SHEET 1 OF 1