

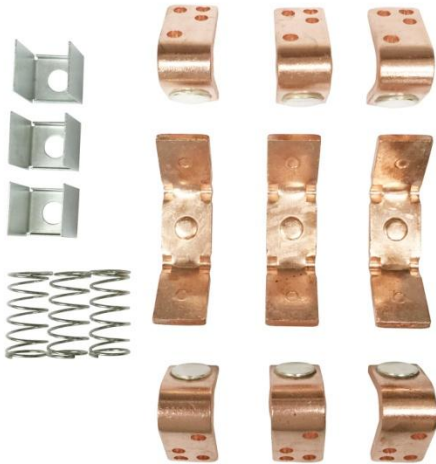


CONTACT US @ 855-355-2724

E-Mail: [Sales@brahelectric.com](mailto:Sales@brahelectric.com)

[www.Brahelectric.com](http://www.Brahelectric.com)

## PRODUCT DATA SHEET



### CONTACT KITS

Picture is for reference only,  
Actual Kit may vary slightly

### **PART NUMBER- B55-154607G002:**

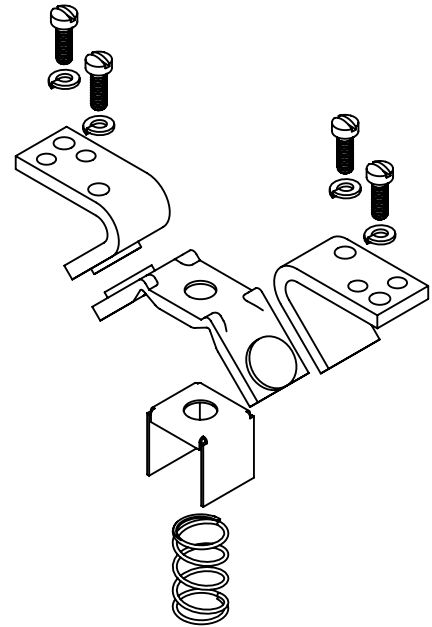
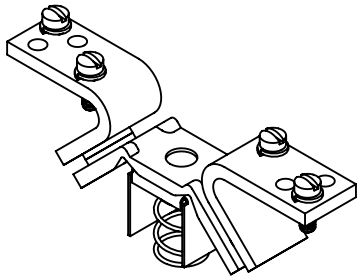
BRAH Electric direct replacement contact kit. 3 Pole, rated for 270 Amp, 600 Volt max, suitable for NEMA size 5 motor starters & contactors, suitable with General Electric 200 and 300 Line model types CR205, CR206, CR209, CR305G, CR306G, CR309G. Complete assembly kit includes all contacts and related mounting screws & hardware. Kit directly replaces General Electric OEM B55-154607G002

### **PRODUCT SPECIFICATIONS**

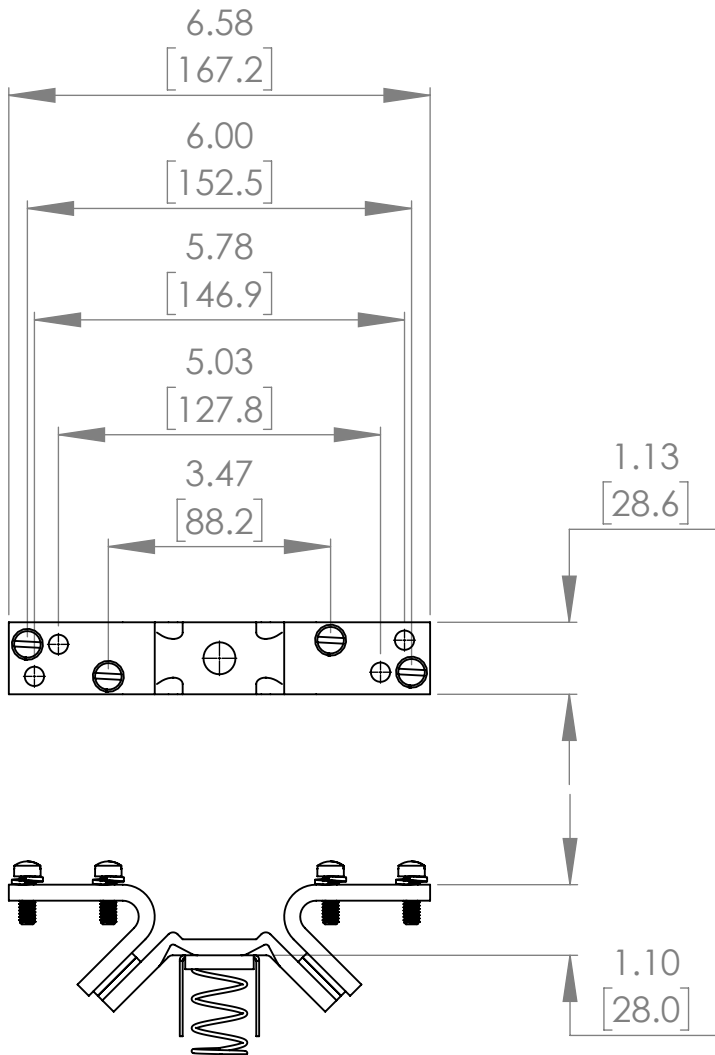
Manufacturer	BRAH Electric
Sub-Category	Contact Kits
Family	200 and 300 Line
Type	55-1
Type For	CR205, CR206, CR209, CR305G, CR306G, CR309G
OEM Manufacturer	General Electric
OEM Part Number	B55-154607G002
Poles	3
Amperage Max	270
Voltage Max	600
NEMA size	5

**Warranty:** All Products sold by BRAH Electric are guaranteed to be free of defect for a period of two years, under the condition that the product has been installed and operated properly. All items proven defective within the one year period will be replaced by BRAH Electric. In the event that we cannot provide a direct replacement, your monies will be refunded in full. We are not responsible for any consequential losses or damages outside of the defective product as well as any replacements or repairs performed by another party without our written authorization from BRAH Electric.

REVISIONS				
ZONE	REV.	DESCRIPTION	DATE	APPROVED



EXPLODED VIEW



[WWW.BRAHELECTRIC.COM](http://WWW.BRAHELECTRIC.COM), 855-355-2724

\* NOTE: BRAH Electric, aftermarket contact kit for General Electric 200 Line and 300 Line CR205, CR206, CR209, CR305G, CR306G, CR309G contactors with 3 pole kit, rated for 270 amp, 600 volt max and NEMA size 5.



THIRD ANGLE PROJECTION

**PROPRIETARY AND CONFIDENTIAL**

THE INFORMATION CONTAINED IN THIS DRAWING IS THE SOLE PROPERTY OF BRAH ELECTRIC. ANY REPRODUCTION IN PART OR AS A WHOLE WITHOUT THE WRITTEN PERMISSION OF BRAH ELECTRIC IS PROHIBITED.

UNLESS OTHERWISE NOTED  
 ALL DIMENSIONS ARE IN INCHES  
 METRIC UNITS ARE DISPLAYED  
 BENEATH IN [ MM. ]

MATERIAL N/A  
 FINISH N/A  
 DO NOT SCALE DRAWING



**CONTACT KIT**

SIZE <b>A</b>	DWG. NO. B55-154607G002	REV. <b>A</b>
SCALE: 1:3	WEIGHT: 3.2 LBS	SHEET 1 OF 1