

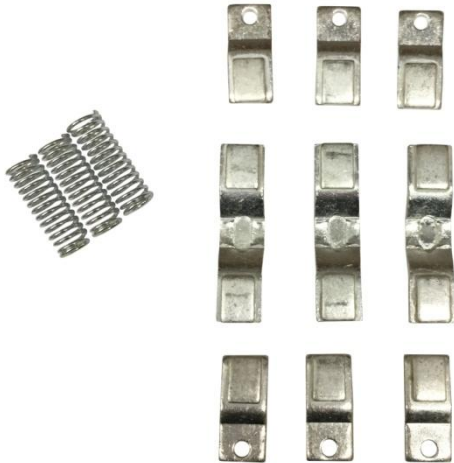


CONTACT US @ 855-355-2724

E-Mail: [Sales@brahelectric.com](mailto:Sales@brahelectric.com)

[www.Brahelectric.com](http://www.Brahelectric.com)

## PRODUCT DATA SHEET



### CONTACT KITS

Picture is for reference only,  
Actual Kit may vary slightly

### **PART NUMBER- B626B187G13:**

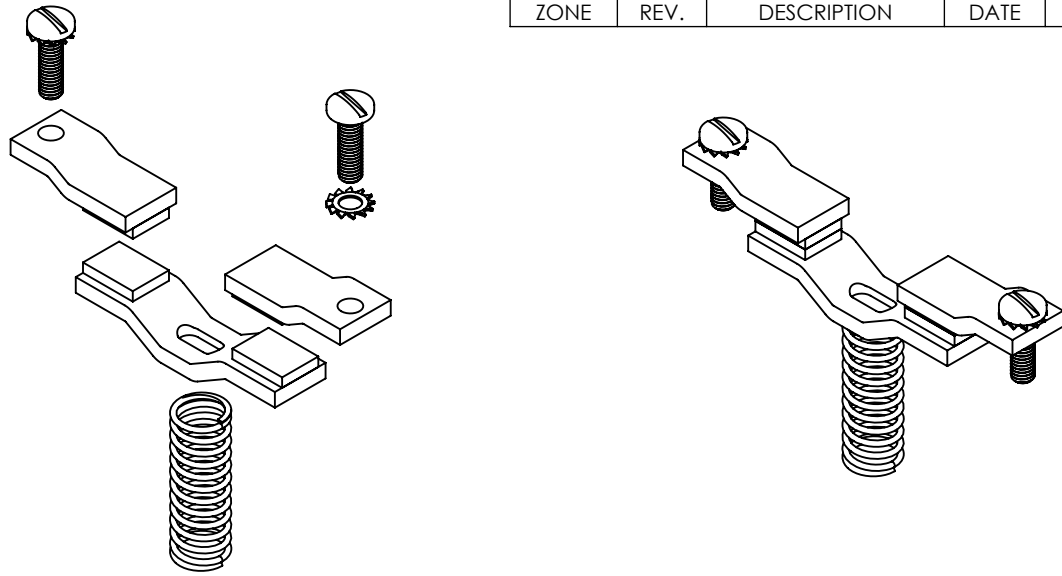
BRAH Electric direct replacement contact kit. 3 Pole, rated for 90 Amp, 600 Volt max, suitable for NEMA size 3 motor starters & contactors, suitable with Westinghouse A200 Series A200, A201, A210, A211. Complete assembly kit includes all contacts and related mounting screws & hardware. Kit directly replaces Westinghouse OEM 626B187G13

### **PRODUCT SPECIFICATIONS**

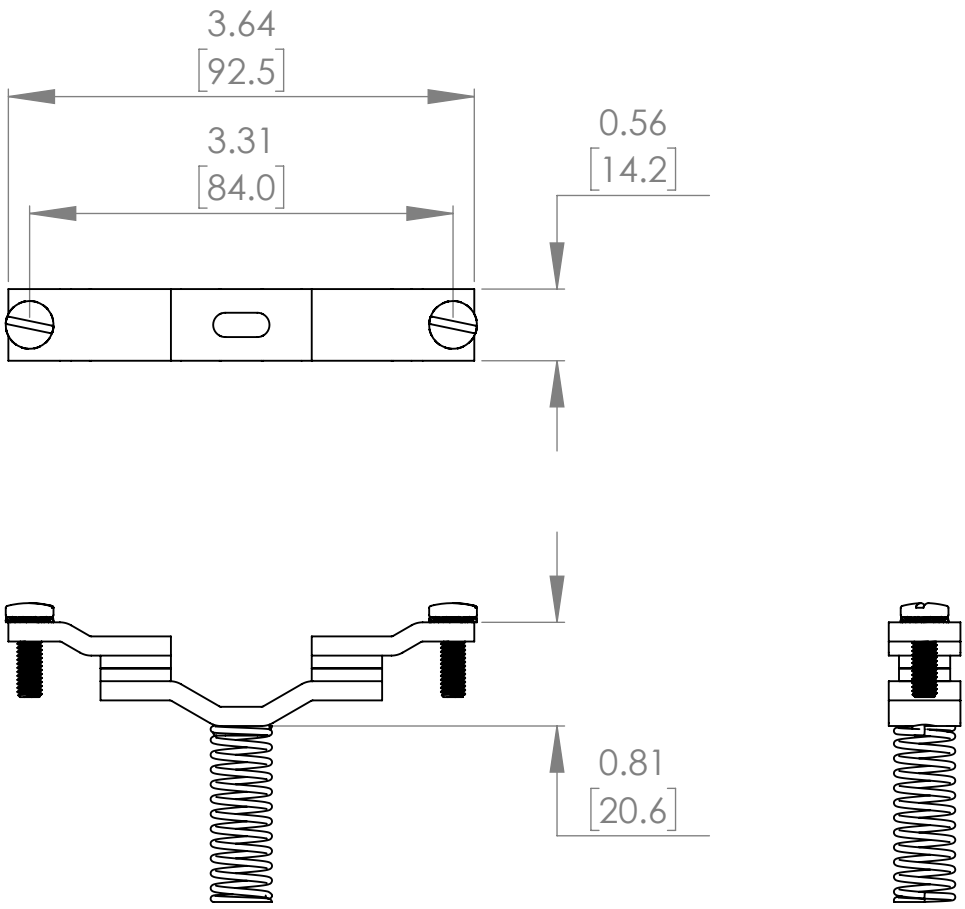
Manufacturer	BRAH Electric
Sub-Category	Contact Kits
Family	A200 Series
Type	626
Type For	A200, A201, A210, A211
OEM Manufacturer	Westinghouse
OEM Part Number	626B187G13
Poles	3
Amperage Max	90
Voltage Max	600
NEMA size	3

**Warranty:** All Products sold by BRAH Electric are guaranteed to be free of defect for a period of two years, under the condition that the product has been installed and operated properly. All items proven defective within the one year period will be replaced by BRAH Electric. In the event that we cannot provide a direct replacement, your monies will be refunded in full. We are not responsible for any consequential losses or damages outside of the defective product as well as any replacements or repairs performed by another party without our written authorization from BRAH Electric.

REVISIONS				
ZONE	REV.	DESCRIPTION	DATE	APPROVED



EXPLODED VIEW



[WWW.BRAHELECTRIC.COM](http://WWW.BRAHELECTRIC.COM), 855-355-2724

\* NOTE: BRAH Electric, aftermarket direct replacement contact kits for Westinghouse, A 200 Series, B626, 3 pole kit, suitable for use with A200, A201, A210, A211 magnetic contactors & motor starters, NEMA size 3, rated for 90A 600V maximum

<p>THIRD ANGLE PROJECTION</p>	<p>UNLESS OTHERWISE NOTED</p> <p>ALL DIMENSIONS ARE IN INCHES METRIC UNITS ARE DISPLAYED BENEATH IN [ MM. ]</p>	
	<p><b>PROPRIETARY AND CONFIDENTIAL</b></p> <p>THE INFORMATION CONTAINED IN THIS DRAWING IS THE SOLE PROPERTY OF BRAH ELECTRIC. ANY REPRODUCTION IN PART OR AS A WHOLE WITHOUT THE WRITTEN PERMISSION OF BRAH ELECTRIC IS PROHIBITED.</p>	
<p>MATERIAL N/A</p> <p>FINISH N/A</p> <p>DO NOT SCALE DRAWING</p>	<p>SIZE <b>A</b> DWG. NO. <b>B626B187G13</b></p> <p>SCALE: 1:1.5 WEIGHT: 3.2 LBS SHEET 1 OF 1</p>	<p>REV. <b>A</b></p>