



CONTACT US @ 855-355-2724

E-Mail: [Sales@brahelectric.com](mailto:Sales@brahelectric.com)

[www.Brahelectric.com](http://www.Brahelectric.com)

## PRODUCT DATA SHEET



### **PART NUMBER- B75FP14:**

BRAH Electric direct replacement contact kit. 1 Pole, rated for 45 Amp, 600 Volt max, suitable for NEMA size 2 motor starters & contactors, suitable with Furnas Innova model types 14FP, 40FP, 22FP, 43FP. Complete assembly kit includes all contacts and related mounting screws & hardware. Kit directly replaces Furnas OEM 75FP14

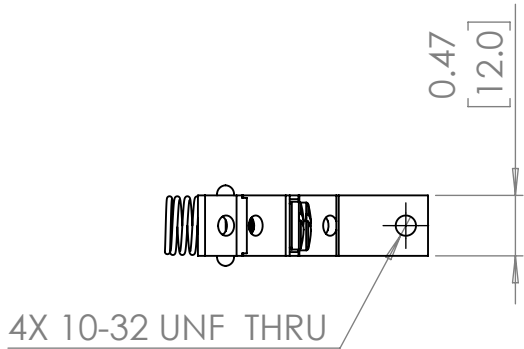
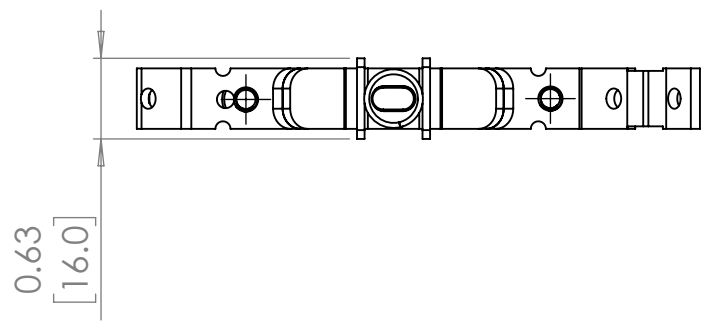
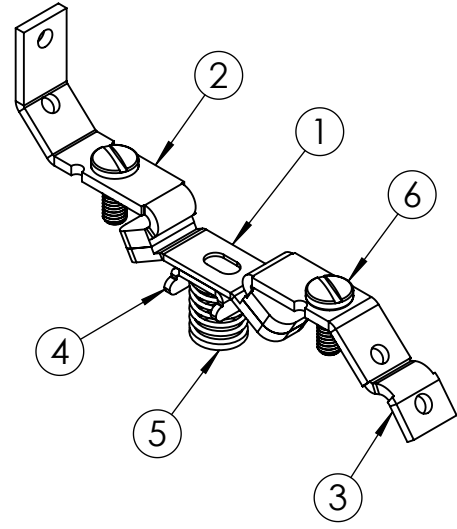
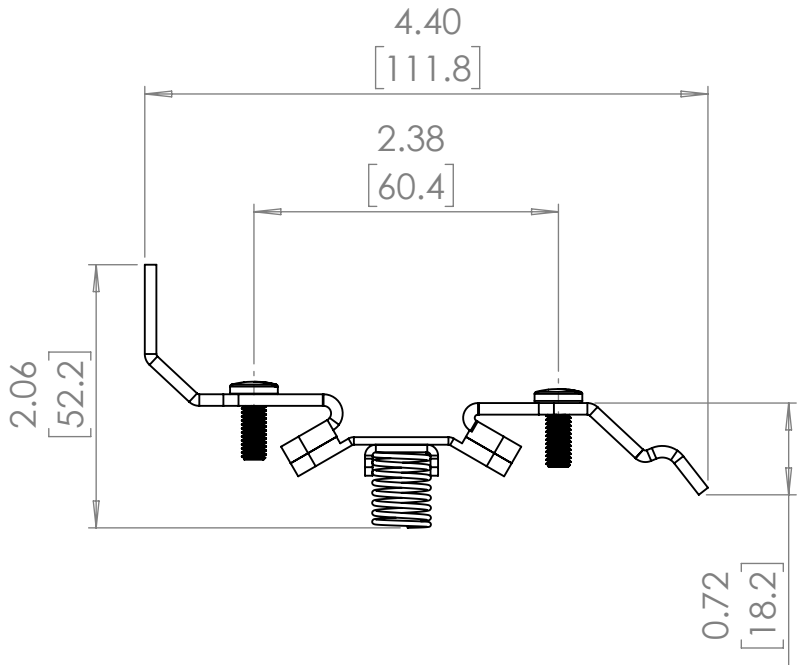
### **PRODUCT SPECIFICATIONS**

CONTACT KITS  
Picture is for reference only,  
Actual Kit may vary slightly

Manufacturer	BRAH Electric
Sub-Category	Contact Kits
Family	Innova
Type	B75FP
Type For	14FP- 43FP
OEM Manufacturer	Furnas
OEM Part Number	75FP14
Poles	1
Amperage Max	45
Voltage Max	600
NEMA size	2

**Warranty:** All Products sold by BRAH Electric are guaranteed to be free of defect for a period of two years, under the condition that the product has been installed and operated properly. All items proven defective within the one year period will be replaced by BRAH Electric. In the event that we cannot provide a direct replacement, your monies will be refunded in full. We are not responsible for any consequential losses or damages outside of the defective product as well as any replacements or repairs performed by another party without our written authorization from BRAH Electric.



REVISIONS				
ZONE	REV.	DESCRIPTION	DATE	APPROVED



ITEM NO.	PART NUMBER	DESCRIPTION	VENDOR	QTY.
1	B75FP14	Contact Kit	BRAH	1
2	B75FP14-01	Contact Kit	BRAH	1
3	B75FP14-02	Contact Kit	BRAH	1
4	B75FP14-03	Contact Kit	BRAH	1
5	B75FP14-Spring	Spring	BRAH	1
6	B75FP14- Screw	10-32 UNF X 1/2"	BRAH	2

\* NOTE: BRAH Electric, aftermarket direct replacement contact kits for Furnas Innova Series, Type B75FP, 1 pole kit, suitable for use with 14FP, 40FP, 22FP, 43FP magnetic contactors & motor starters, NEMA size 2, rated for 600V maximum of 45 Amp

[WWW.BRAHELECTRIC.COM](http://WWW.BRAHELECTRIC.COM), 855-355-2724

 THIRD ANGLE PROJECTION	UNLESS OTHERWISE NOTED ALL DIMENSIONS ARE IN INCHES METRIC UNITS ARE DISPLAYED BENEATH IN [ MM. ]		 <b>BRAH</b> Electric <small>Wig</small>
	PROPRIETARY AND CONFIDENTIAL THE INFORMATION CONTAINED IN THIS DRAWING IS THE SOLE PROPERTY OF BRAH ELECTRIC. ANY REPRODUCTION IN PART OR AS A WHOLE WITHOUT THE WRITTEN PERMISSION OF BRAH ELECTRIC IS PROHIBITED.	MATERIAL N/A FINISH N/A DO NOT SCALE DRAWING	