



CONTACT US @ 855-355-2724

E-Mail: [Sales@brahelectric.com](mailto:Sales@brahelectric.com)

[www.Brahelectric.com](http://www.Brahelectric.com)

## PRODUCT DATA SHEET



### CONTACT KITS

Picture is for reference only,  
Actual Kit may vary slightly

### **PART NUMBER- B75GP14:**

BRAH Electric direct replacement contact kit. 1 Pole, rated for 60 Amp, 600 Volt max, suitable for NEMA size 2.5 motor starters & contactors, suitable with Furnas Innova model types 14GP, 40GP, 22GP, 43GP.

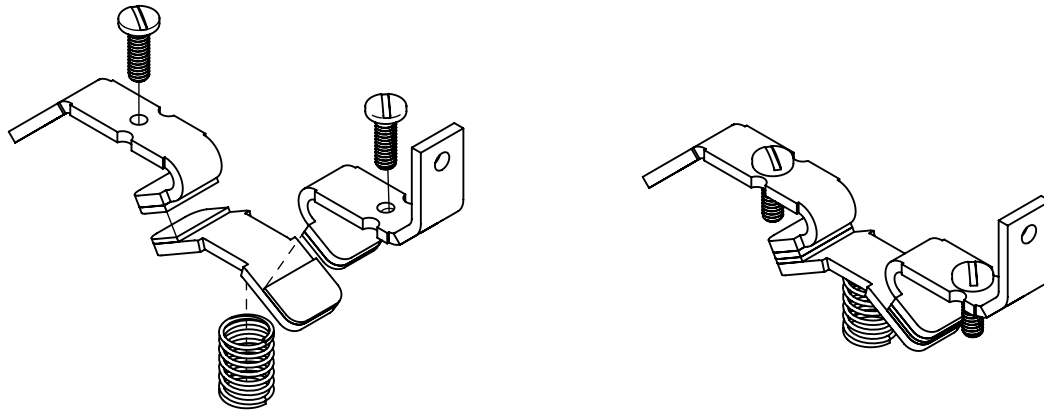
Complete assembly kit includes all contacts and related mounting screws & hardware. Kit directly replaces Furnas OEM 75GP14

### **PRODUCT SPECIFICATIONS**

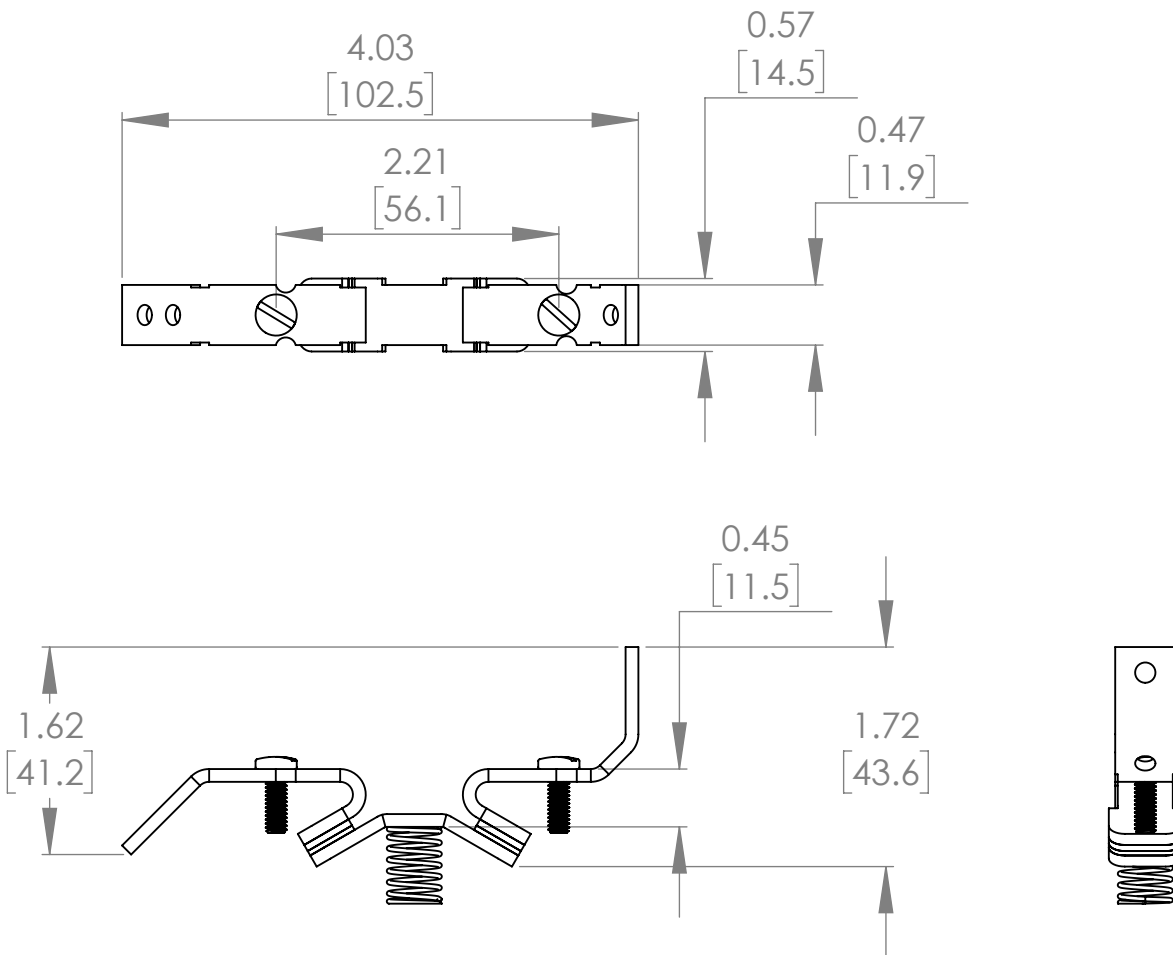
Manufacturer	BRAH Electric
Sub-Category	Contact Kits
Family	Innova
Type	B75GP
Type For	14GP, 40GP, 22GP, 43GP
OEM Manufacturer	Furnas
OEM Part Number	75GP14
Poles	1
Amperage Max	60
Voltage Max	600
NEMA size	2.5

**Warranty:** All Products sold by BRAH Electric are guaranteed to be free of defect for a period of two years, under the condition that the product has been installed and operated properly. All items proven defective within the one year period will be replaced by BRAH Electric. In the event that we cannot provide a direct replacement, your monies will be refunded in full. We are not responsible for any consequential losses or damages outside of the defective product as well as any replacements or repairs performed by another party without our written authorization from BRAH Electric.

REVISIONS				
ZONE	REV.	DESCRIPTION	DATE	APPROVED

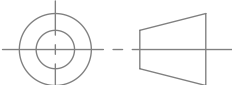



EXPLODED VIEW



[WWW.BRAHELECTRIC.COM](http://WWW.BRAHELECTRIC.COM), 855-355-2724

\* NOTE: BRAH Electric, aftermarket direct replacement contact kits for Furnas/Siemens, Innova 45 Series, B75GP, 1 pole kit, suitable for use with 14GP, 40GP, 22GP, 43GP magnetic contactors & motor starters, NEMA size 2.5, rated for 60A, 600V maximum

 THIRD ANGLE PROJECTION	UNLESS OTHERWISE NOTED ALL DIMENSIONS ARE IN INCHES METRIC UNITS ARE DISPLAYED BENEATH IN [ MM. ]	 <b>BRAH</b> Electric Mfg.	
	<b>PROPRIETARY AND CONFIDENTIAL</b> THE INFORMATION CONTAINED IN THIS DRAWING IS THE SOLE PROPERTY OF BRAH ELECTRIC. ANY REPRODUCTION IN PART OR AS A WHOLE WITHOUT THE WRITTEN PERMISSION OF BRAH ELECTRIC IS PROHIBITED.		