



CONTACT US @ 855-355-2724
 E-Mail: Sales@brahelectric.com
www.Brahelectric.com

PRODUCT DATA SHEET



CONTACT KITS
 Picture is for reference only,
 Actual Kit may vary slightly

PART NUMBER- B75RB14:

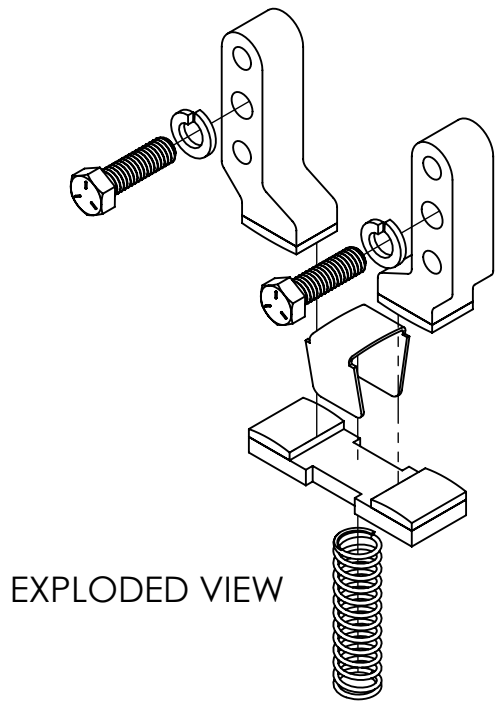
BRAH Electric direct replacement contact kit. 1 Pole, rated for 600 Volt max, suitable for NEMA size 4.5 motor starters & contactors, suitable with Furnas Innova model types 14RB, 14RF, 14RS, 40RB, 40RF, 40RS, 22RB, 22RF, 22RS, 43RB, 43RF, 43RS. Complete assembly kit includes all contacts and related mounting screws & hardware. Kit directly replaces Furnas OEM 75RB14

PRODUCT SPECIFICATIONS

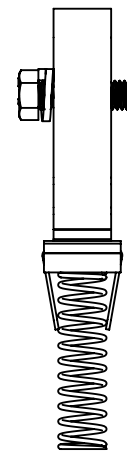
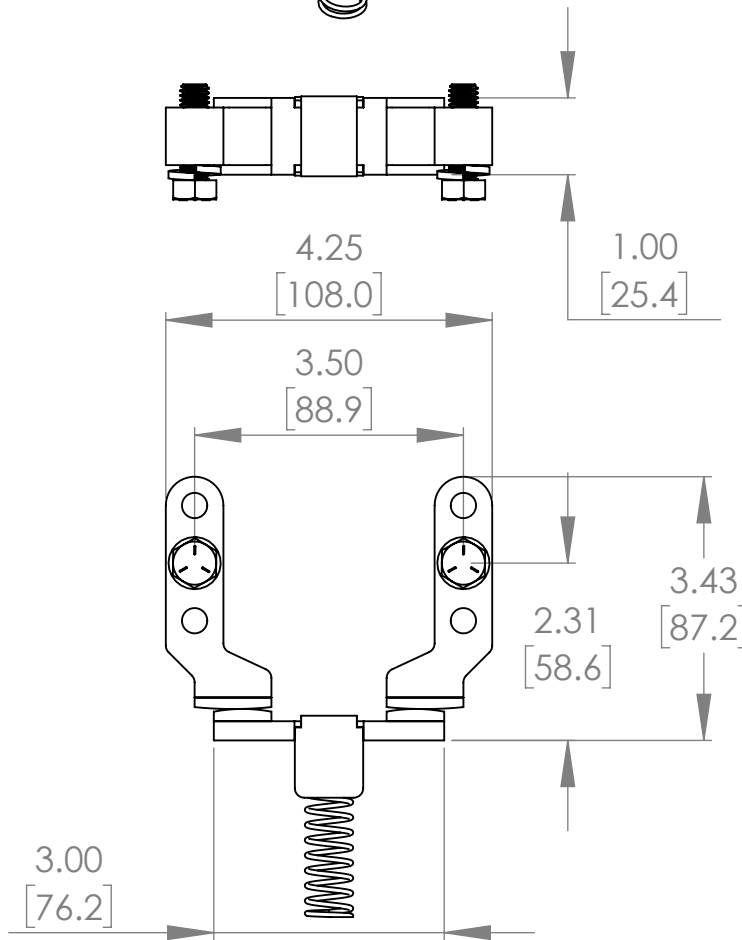
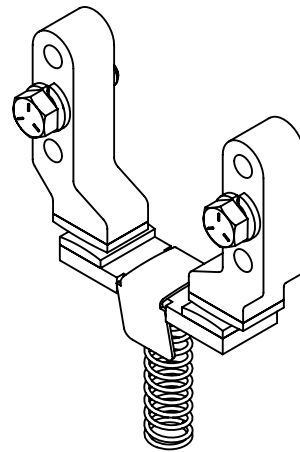
Manufacturer	BRAH Electric
Sub-Category	Contact Kits
Family	Innova
Type	B75RB
Type For	14RB, 14RF, 14RS, 40RB, 40RF, 40RS, 22RB, 22RF, 22RS, 43RB, 43RF, 43RS
OEM Manufacturer	Furnas
OEM Part Number	75RB14
Poles	1
Amperage Max	
Voltage Max	600
NEMA size	4.5

Warranty: All Products sold by BRAH Electric are guaranteed to be free of defect for a period of two years, under the condition that the product has been installed and operated properly. All items proven defective within the one year period will be replaced by BRAH Electric. In the event that we cannot provide a direct replacement, your monies will be refunded in full. We are not responsible for any consequential losses or damages outside of the defective product as well as any replacements or repairs performed by another party without our written authorization from BRAH Electric.

REVISIONS				
ZONE	REV.	DESCRIPTION	DATE	APPROVED



EXPLODED VIEW



WWW.BRAHELECTRIC.COM, 855-355-2724

* NOTE: BRAH Electric, aftermarket direct replacement contact kits for Furnas/Siemens, Innova 45 Series, B75EF, 1 pole kit, suitable for use with 14RB, 14RF, 14RS, 40RB, 40RF, 40RS, 22RB, 22RF, 22RS, 43RB, 43RF, 43RS magnetic contactors & motor starters, NEMA size 4.5, rated for 600V maximum

THIRD ANGLE PROJECTION

PROPRIETARY AND CONFIDENTIAL

THE INFORMATION CONTAINED IN THIS DRAWING IS THE SOLE PROPERTY OF BRAH ELECTRIC. ANY REPRODUCTION IN PART OR AS A WHOLE WITHOUT THE WRITTEN PERMISSION OF BRAH ELECTRIC IS PROHIBITED.

UNLESS OTHERWISE NOTED
ALL DIMENSIONS ARE IN INCHES
METRIC UNITS ARE DISPLAYED
BENEATH IN [MM.]

MATERIAL	N/A
FINISH	N/A
DO NOT SCALE DRAWING	



CONTACT KIT

SIZE	DWG. NO.	REV.
A	B75RB14	A
SCALE: 1:2.5	WEIGHT: 3.2 LBS	SHEET 1 OF 1