

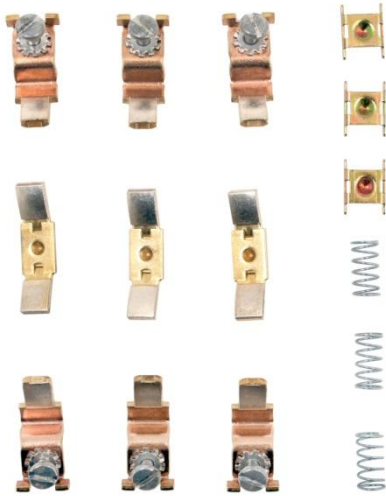


CONTACT US @ 855-355-2724

E-Mail: Sales@brahelectric.com

www.Brahelectric.com

PRODUCT DATA SHEET



CONTACT KITS

Picture is for reference only,
Actual Kit may vary slightly

PART NUMBER- B9998SL-12:

BRAH Electric direct replacement contact kit. 4 Pole, rated for 18 Amp, 600 Volt max, suitable for NEMA size 0 motor starters & contactors, suitable with Square D Class 9998 model types 8502SB, 8502SB, 8538SB, 8539SB, 8547SB, 8549SB, 8606SB, 8630SB, 8640SB, 8647SB, 8702SB, 8736SB, 8738SB, 8739SB, 8810SB, 8811SB, 8812SB, 8940SB. Complete assembly kit includes all contacts and related mounting screws & hardware. Kit directly replaces Square D OEM 9998SL-12

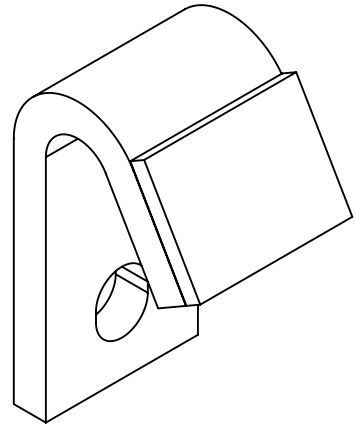
PRODUCT SPECIFICATIONS

Manufacturer	BRAH Electric
Sub-Category	Contact Kits
Family	Class 9998
Type	SL
Type For	8502SB, 8502SB, 8538SB, 8539SB, 8547SB, 8549SB, 8606SB, 8630SB, 8640SB, 8647SB, 8702SB, 8736SB, 8738SB, 8739SB, 8810SB, 8811SB, 8812SB, 8940SB
OEM Manufacturer	Square D
OEM Part Number	9998SL-12
Poles	4
Amperage Max	18
Voltage Max	600
NEMA size	0

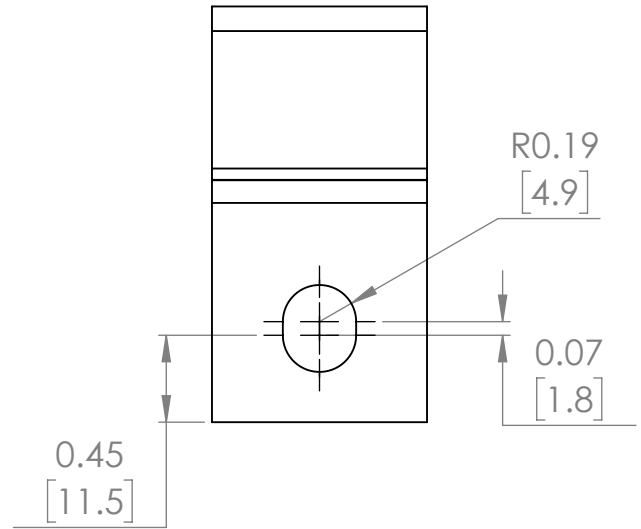
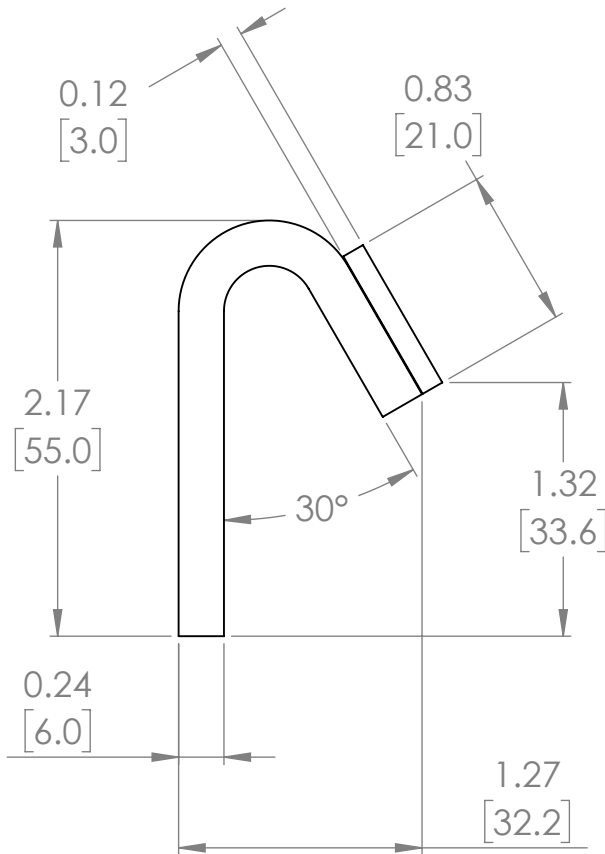
Warranty: All Products sold by BRAH Electric are guaranteed to be free of defect for a period of two years, under the condition that the product has been installed and operated properly. All items proven defective within the one year period will be replaced by BRAH Electric. In the event that we cannot provide a direct replacement, your monies will be refunded in full. We are not responsible for any consequential losses or damages outside of the defective product as well as any replacements or repairs performed by another party without our written authorization from BRAH Electric.

REVISIONS

ZONE	REV.	DESCRIPTION	DATE	APPROVED
------	------	-------------	------	----------



ISO VIEW

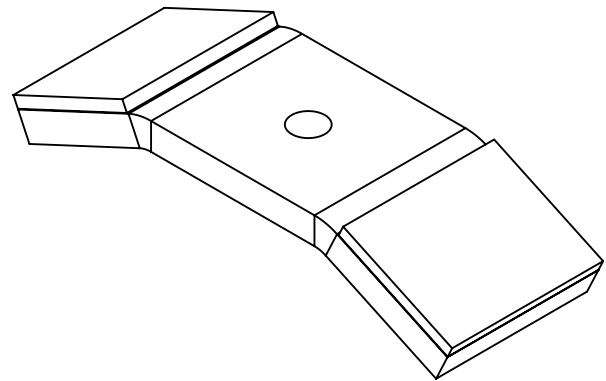


* NOTE: BRAH ELECTRIC CONTACT KITS A DIRECT REPLACEMENT FOR SCHNEIDER ELECTRIC/ SQUARE D, CLASS 9998 SERIES, SL, 4 POLE KIT, SUITAABLE FOR USE WITH CLASS 8502SG, 8536SG, 8538, 8539, 8547, 8549, 8606, 8630, 8640, 8647, 8702SG, 8736SG, 8738, 8739, 8810, 8811, 8812, 8903SX, 8940 MAGNETIC CONTACTORS & MOTOR STARTERS, NEMA SIZE 5, RATED for 18A 600V MAXIMUM

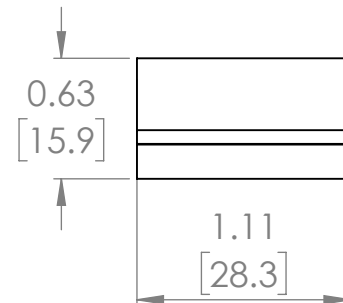
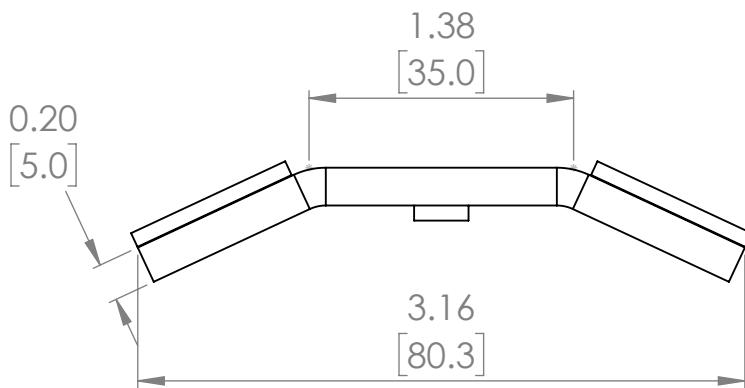
WWW.BRAHELECTRIC.COM, 855-355-2724

<p>THIRD ANGLE PROJECTION</p>	<p>UNLESS OTHERWISE NOTED</p> <p>ALL DIMENSIONS ARE IN INCHES METRIC UNITS ARE DISPLAYED BENEATH IN [MM.]</p>	
	<p>PROPRIETARY AND CONFIDENTIAL</p> <p>THE INFORMATION CONTAINED IN THIS DRAWING IS THE SOLE PROPERTY OF BRAH ELECTRIC. ANY REPRODUCTION IN PART OR AS A WHOLE WITHOUT THE WRITTEN PERMISSION OF BRAH ELECTRIC IS PROHIBITED.</p>	
<p>MATERIAL</p> <p>-</p>	<p>FINISH</p> <p>N/A</p>	<p>SCALE: 1:1</p>
<p>DO NOT SCALE DRAWING</p>	<p>SIZE A</p> <p>DWG. NO. B9998SL-12</p>	<p>REV. A</p> <p>WEIGHT:</p> <p>SHEET 1 OF 2</p>

REVISIONS				
ZONE	REV.	DESCRIPTION	DATE	APPROVED



ISO VIEW



* NOTE: BRAH ELECTRIC CONTACT KITS A DIRECT REPLACEMENT FOR SCHNEIDER ELECTRIC/ SQUARE D, CLASS 9998 SERIES, SL, 4 POLE KIT, SUITAABLE FOR USE WITH CLASS 8502SG, 8536SG, 8538, 8539, 8547, 8549, 8606, 8630, 8640, 8647, 8702SG, 8736SG, 8738, 8739, 8810, 8811, 8812, 8903SX, 8940 MAGNETIC CONTACTORS & MOTOR STARTERS, NEMA SIZE 5, RATED for 18A 600V MAXIMUM

WWW.BRAHELECTRIC.COM, 855-355-2724

<p>THIRD ANGLE PROJECTION</p>	UNLESS OTHERWISE NOTED						
	ALL DIMENSIONS ARE IN INCHES METRIC UNITS ARE DISPLAYED BENEATH IN [MM.]						
<p>PROPRIETARY AND CONFIDENTIAL</p> <p>THE INFORMATION CONTAINED IN THIS DRAWING IS THE SOLE PROPERTY OF BRAH ELECTRIC. ANY REPRODUCTION IN PART OR AS A WHOLE WITHOUT THE WRITTEN PERMISSION OF BRAH ELECTRIC IS PROHIBITED.</p>	MATERIAL -	<p>CONTACT KIT</p>					
	FINISH N/A						
DO NOT SCALE DRAWING	<table border="1"> <tr> <td>SIZE A</td> <td>DWG. NO. B9998SL-12</td> <td>REV. A</td> </tr> <tr> <td>SCALE:1:1</td> <td>WEIGHT:</td> <td>SHEET 2 OF 2</td> </tr> </table>	SIZE A	DWG. NO. B9998SL-12	REV. A	SCALE:1:1	WEIGHT:	SHEET 2 OF 2
SIZE A	DWG. NO. B9998SL-12	REV. A					
SCALE:1:1	WEIGHT:	SHEET 2 OF 2					