

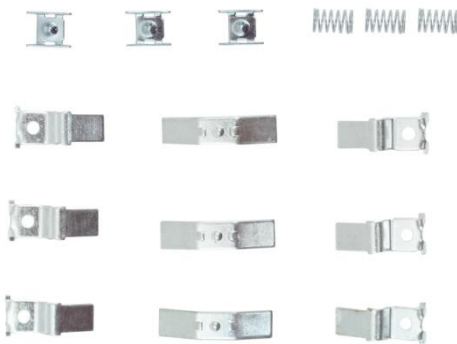


CONTACT US @ 855-355-2724

E-Mail: Sales@brahelectric.com

www.Brahelectric.com

PRODUCT DATA SHEET



PART NUMBER- B9998SL-13:

BRAH Electric direct replacement contact kit. 4 Pole, rated for 27 Amp, 600 Volt max, suitable for NEMA size 1 motor starters & contactors, suitable with Square D Class 9998 model types 8502SC, 8536SC, 8538SC, 8539SC, 8547SC, 8549SC, 8606SC, 8630SC, 8640SC, 8647SC, 8702SC, 8736SC, 8738SC, 8739SC, 8810SC, 8811SC, 8812SC, 8940SC, 8903SM. Complete assembly kit includes all contacts and related mounting screws & hardware. Kit directly replaces Square D OEM 9998SL-13

CONTACT KITS

Picture is for reference only,
Actual Kit may vary slightly

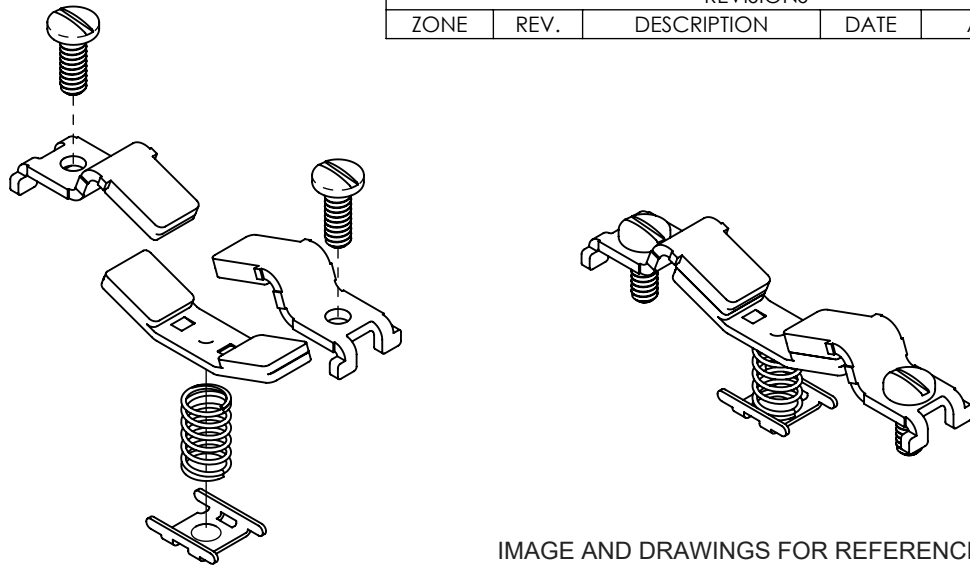
PRODUCT SPECIFICATIONS

Manufacturer	BRAH Electric
Sub-Category	Contact Kits
Family	Class 9998
Type	SL
Type For	8502SC, 8536SC, 8538SC, 8539SC, 8547SC, 8549SC, 8606SC, 8630SC, 8640SC, 8647SC, 8702SC, 8736SC, 8738SC, 8739SC, 8810SC, 8811SC, 8812SC, 8940SC, 8903SM
OEM Manufacturer	Square D
OEM Part Number	9998SL-13
Poles	4
Amperage Max	27
Voltage Max	600
NEMA size	1

Warranty: All Products sold by BRAH Electric are guaranteed to be free of defect for a period of two years, under the condition that the product has been installed and operated properly. All items proven defective within the one year period will be replaced by BRAH Electric. In the event that we cannot provide a direct replacement, your monies will be refunded in full. We are not responsible for any consequential losses or damages outside of the defective product as well as any replacements or repairs performed by another party without our written authorization from BRAH Electric.

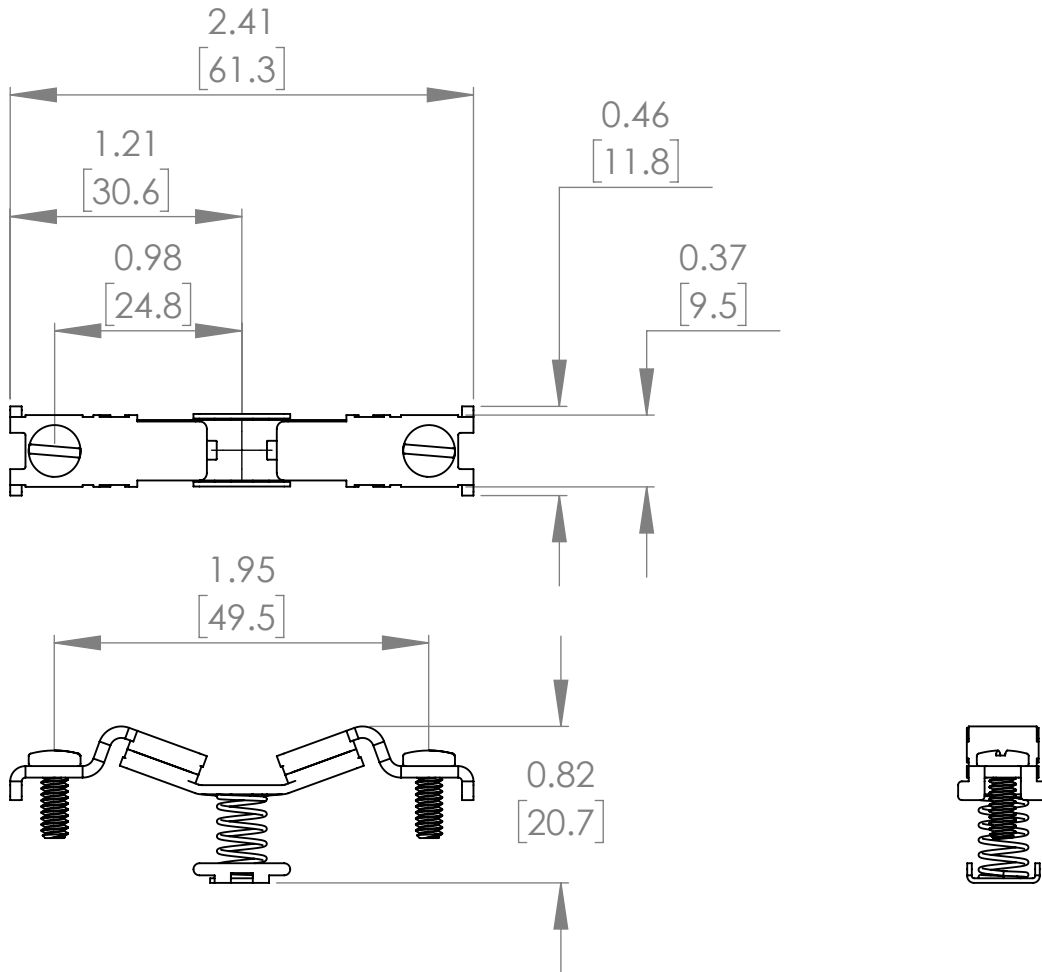
SAME HARDWARE		
SERIES	AMP	POLES
B9998SL-3	27	3
B9998SL-13	27	4

REVISIONS				
ZONE	REV.	DESCRIPTION	DATE	APPROVED



EXPLODED VIEW

IMAGE AND DRAWINGS FOR REFERENCE ONLY.
May not show all parts included in the kit. Please refer to the configuration table for detailed specifications



WWW.BRAHELECTRIC.COM, 855-355-2724

* NOTE: BRAH ELECTRIC CONTACT KITS ARE A DIRECT REPLACEMENT FOR SCHNEIDER ELECTRIC/ SQUARE D, CLASS 9998 SERIES, BSL, 4 POLE KIT, SUITABLE FOR USE WITH CLASS 8502, 8536, 8538, 8539, 8547, 8549, 8606, 8630, 8640, 8647, 8702, 8736, 8738, 8739, 8810, 8811, 8812, 8940, SC MAGNETIC CONTACTORS & MOTOR STARTERS, NEMA SIZE 1, RATED FOR 27A 600V MAXIMUM

<p>THIRD ANGLE PROJECTION</p>	<p>UNLESS OTHERWISE NOTED</p> <p>ALL DIMENSIONS ARE IN INCHES METRIC UNITS ARE DISPLAYED BENEATH IN [MM.]</p>	
	<p>PROPRIETARY AND CONFIDENTIAL</p> <p>THE INFORMATION CONTAINED IN THIS DRAWING IS THE SOLE PROPERTY OF BRAH ELECTRIC. ANY REPRODUCTION IN PART OR AS A WHOLE WITHOUT THE WRITTEN PERMISSION OF BRAH ELECTRIC IS PROHIBITED.</p>	
<p>MATERIAL</p> <p>Copper with Silver Plating</p>	<p>FINISH</p> <p>N/A</p>	<p>SIZE</p> <p>A</p>
<p>DO NOT SCALE DRAWING</p>	<p>DWG. NO.</p> <p>B9998SL-13</p>	<p>REV.</p> <p>A</p>
<p>SCALE: 1:1</p>	<p>WEIGHT: 3.2 LBS</p>	<p>SHEET 1 OF 1</p>