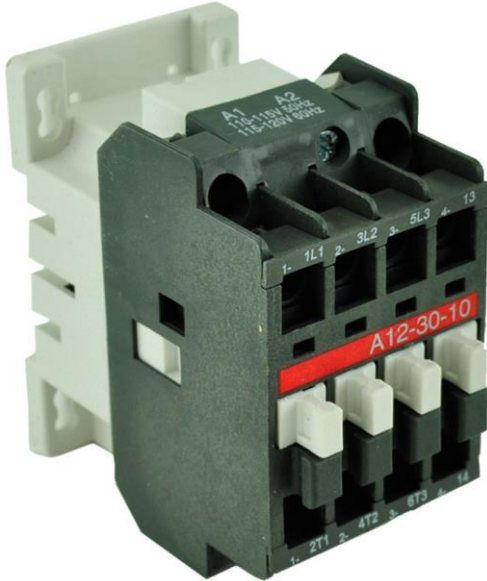


PRODUCT DATA SHEET



PART NUMBER – BA12-30-10-80: BRAH Electric, aftermarket direct replacement contactors for ABB A12-30-10-80, 11amp, 600volt, 3 pole, complete with 220/240VAC control coil, 1 normally open auxiliary contact, suitable for use with ABB A-Line type A12, direct substitute contactor for ABB OEM A12-30-10-80

MAGNETIC CONTACTOR
PART NO. BA12-30-10-80

Voltage Selection Chart BA12-XXXX

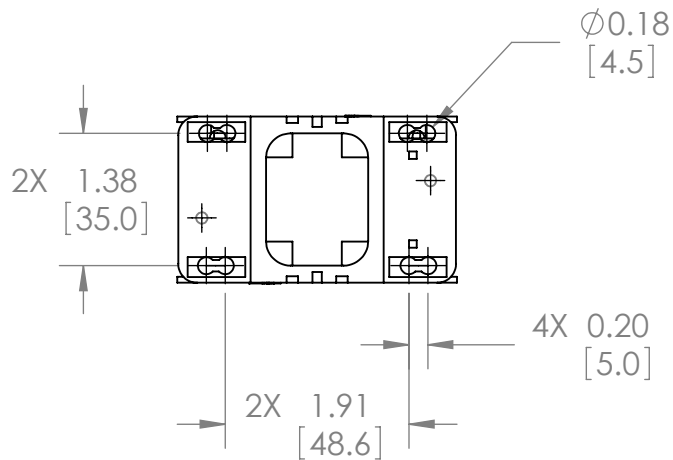
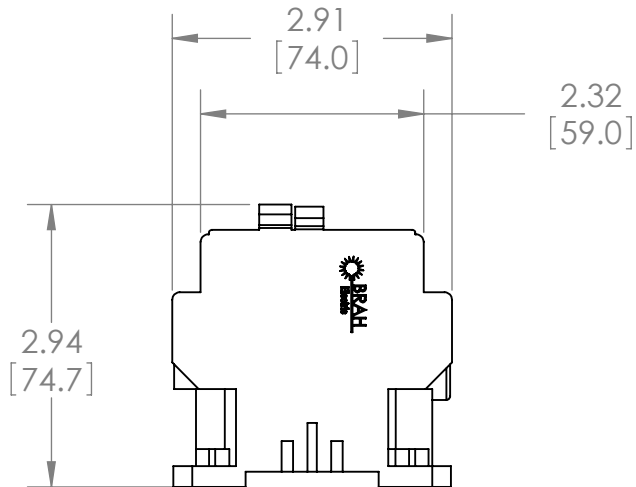
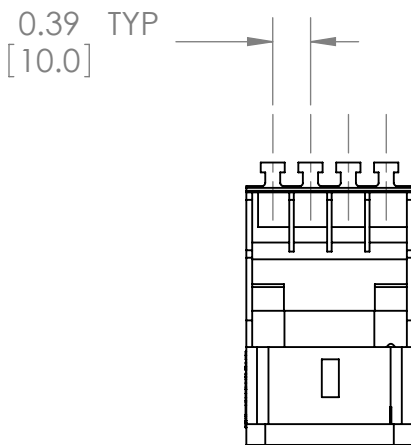
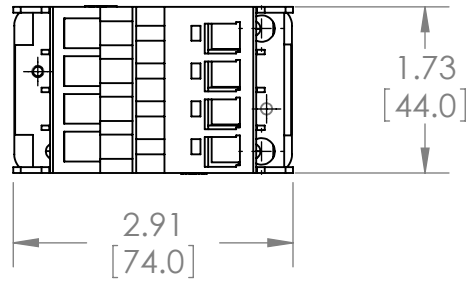
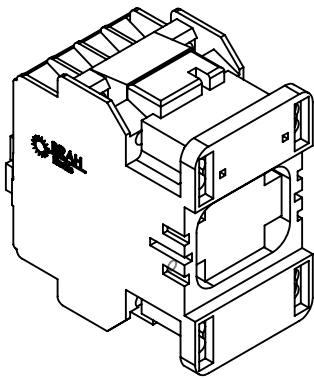
BA12-30-10	120V AC
BA12-30-10-42	277V AC
BA12-30-10-51	480V AC
BA12-30-10-55	500/600V AC
BA12-30-10-80	220/240V AC
BA12-30-10-81	24V AC
BA12-30-10-83	48V AC
BA12-30-10-84	120V AC
BA12-30-10-86	415/440V AC

PRODUCT SPECIFICATIONS

TYPE	VALUE (UNITS)	NOTES	COMMENTS
PHASE	3		
POLES	3		
VOLTAGE	600 (VAC)		
AMPERAGE	11 (A)		
COIL VOLTAGE MIN	220 (VAC)		
COIL VOLTAGE MAX	240 (VAC)		
MIN HP. RATING	2 (HP)	@ 240V	
MAX HP RATING	7.5 (HP)	@ 600V	

Warranty: All Products sold by BRAH Electric are guaranteed to be free of defect for a period of one year, under the condition that the product has been installed and operated properly. All items proven defective within the one year period will be replaced by BRAH Electric. In the event that we cannot provide a direct replacement, your monies will be refunded in full. We are not responsible for any consequential losses or damages outside of the defective product as well as any replacements or repairs performed by another party without our written authorization from BRAH Electric

REVISIONS				
ZONE	REV.	DESCRIPTION	DATE	APPROVED



WWW.BRAHELECTRIC.COM, 855-355-2724

* NOTE: BRAH ELECTRIC CONTACTOR BA12-30-10-80 IS AN AFTERMARKET DIRECT REPLACEMENT FOR ABB A-12-30-10-80, A-LINE SERIES, SUITABLE FOR USE WITH A-LINE SERIES MOTOR CONTROL SYSTEMS

<p>THIRD ANGLE PROJECTION</p>	<p>UNLESS OTHERWISE NOTED</p> <p>ALL DIMENSIONS ARE IN INCHES METRIC UNITS ARE DISPLAYED BENEATH IN [MM.]</p>			
	<p>PROPRIETARY AND CONFIDENTIAL</p> <p>THE INFORMATION CONTAINED IN THIS DRAWING IS THE SOLE PROPERTY OF BRAH ELECTRIC. ANY REPRODUCTION IN PART OR AS A WHOLE WITHOUT THE WRITTEN PERMISSION OF BRAH ELECTRIC IS PROHIBITED.</p>			<p>MATERIAL</p> <p>MOLDED PLASTIC CASE</p> <p>FINISH</p> <p>N/A</p> <p>DO NOT SCALE DRAWING</p>
		<p>SIZE A</p> <p>SCALE: 1:2</p>	<p>DWG. NO.</p> <p>BA12-30-10-80</p> <p>WEIGHT: 3.2 LBS</p>	<p>REV. A</p> <p>SHEET 1 OF 1</p>