

PRODUCT DATA SHEET



PART NUMBER – BA210-30-11-51: BRAH Electric, aftermarket direct replacement contactors for ABB A210-30-11-51, A-Line series, type A, 3P, 3PH, 192A, 600V, 75HP @ 240V, 150HP @ 480V, 200HP @ 600V, complete with 480V AC coil, and 1 N/O - 1 N/C auxiliary contact, AC magnetic contactor, suitable for use with A-Line series motor control systems

PRODUCT SPECIFICATIONS

MAGNETIC CONTACTOR
PART NO. BA210-30-11-51

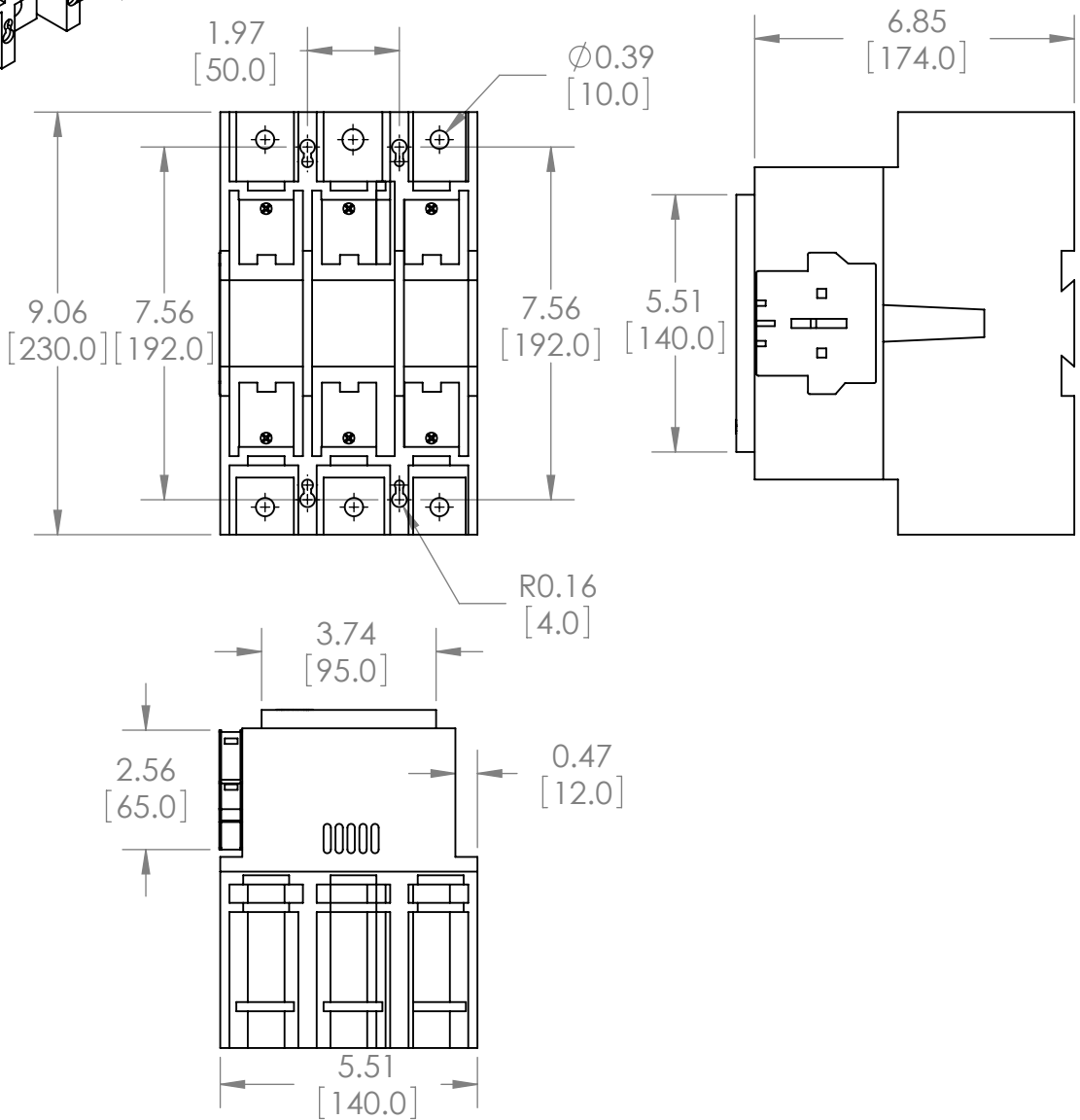
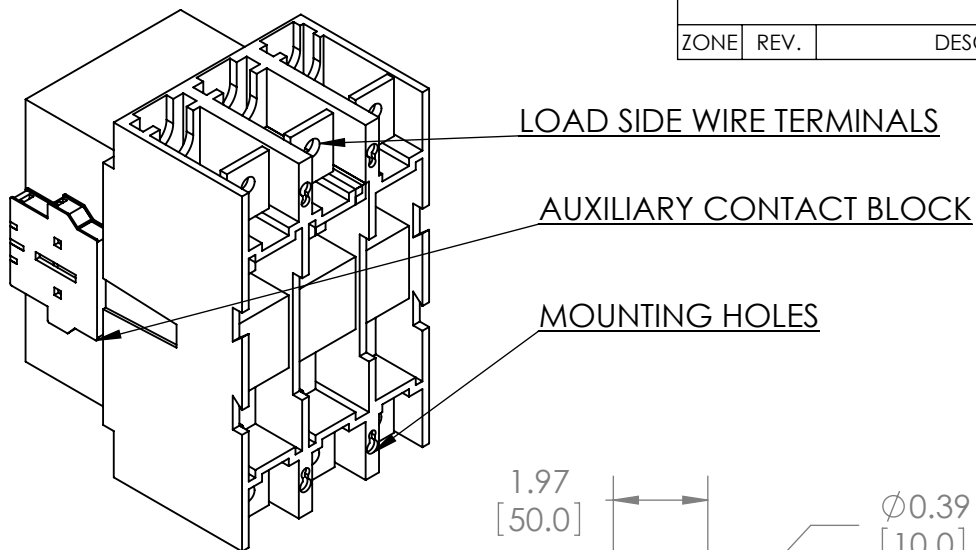
**Voltage Selection Chart
BA210-XXXX**

BA210-30-11	120V AC
BA210-30-11-42	277V AC
BA210-30-11-51	480V AC
BA210-30-11-55	500/600V AC
BA210-30-11-80	220/240V AC
BA210-30-11-81	24V AC
BA210-30-11-83	48V AC
BA210-30-11-84	120V AC
BA210-30-11-86	415/440V AC

TYPE	VALUE (UNITS)	NOTES	COMMENTS
PHASE	3		
POLES	3		
VOLTAGE	600 (VAC)		
AMPERAGE	192 (A)		
COIL VOLTAGE MIN	480(V)		
COIL VOLTAGE MAX	480(V)		
MIN HP. RATING	75 (HP)	@ 240V	
MAX HP RATING	200 (HP)	@ 600V	

Warranty: All Products sold by BRAH Electric are guaranteed to be free of defect for a period of one year, under the condition that the product has been installed and operated properly. All items proven defective within the one year period will be replaced by BRAH Electric. In the event that we cannot provide a direct replacement, your monies will be refunded in full. We are not responsible for any consequential losses or damages outside of the defective product as well as any replacements or repairs performed by another party without our written authorization from BRAH Electric.

REVISIONS				
ZONE	REV.	DESCRIPTION	DATE	APPROVED



WWW.BRAHELECTRIC.COM, 855-355-2724

*NOTE: BRAH ELECTRIC CONTACTOR BA210-30-11-51 IS AN AFTERMARKET DIRECT REPLACEMENT FOR A210-30-11-51, A-LINE SERIES. SUITABLE FOR USE WITH A-LINE SERIES MOTOR CONTROL SYSTEMS

THIRD ANGLE PROJECTION

PROPRIETARY AND CONFIDENTIAL
THE INFORMATION CONTAINED IN THIS DRAWING IS THE SOLE PROPERTY OF BRAH ELECTRIC. ANY REPRODUCTION IN PART OR AS A WHOLE WITHOUT THE WRITTEN PERMISSION OF BRAH ELECTRIC IS PROHIBITED.

UNLESS OTHERWISE NOTED
ALL DIMENSIONS ARE IN INCHES
METRIC UNITS ARE DISPLAYED
BENEATH IN [MM.]

MATERIAL	MOLDED PLASTIC CASE
FINISH	N/A
DO NOT SCALE DRAWING	

MAGNETIC CONTACTOR

SIZE	DWG. NO.	REV.
A	BA210-30-11-51	A
SCALE: 1:4	WEIGHT: 3.2 LBS	SHEET 1 OF 1