

PRODUCT DATA SHEET



PART NUMBER – BA260-30-11-42: BRAH Electric, aftermarket direct replacement contactors for ABB A260-30-11-42, A-Line series, type A260, 3P, 3PH, 248A, 600V, complete with 277V AC coil, and 1 NO/1NC auxiliary contact, AC contactor, suitable for use with A-Line series motor control systems.

PRODUCT SPECIFICATION

MAGNETIC CONTACTOR
PART NO. BA260-30-11-42

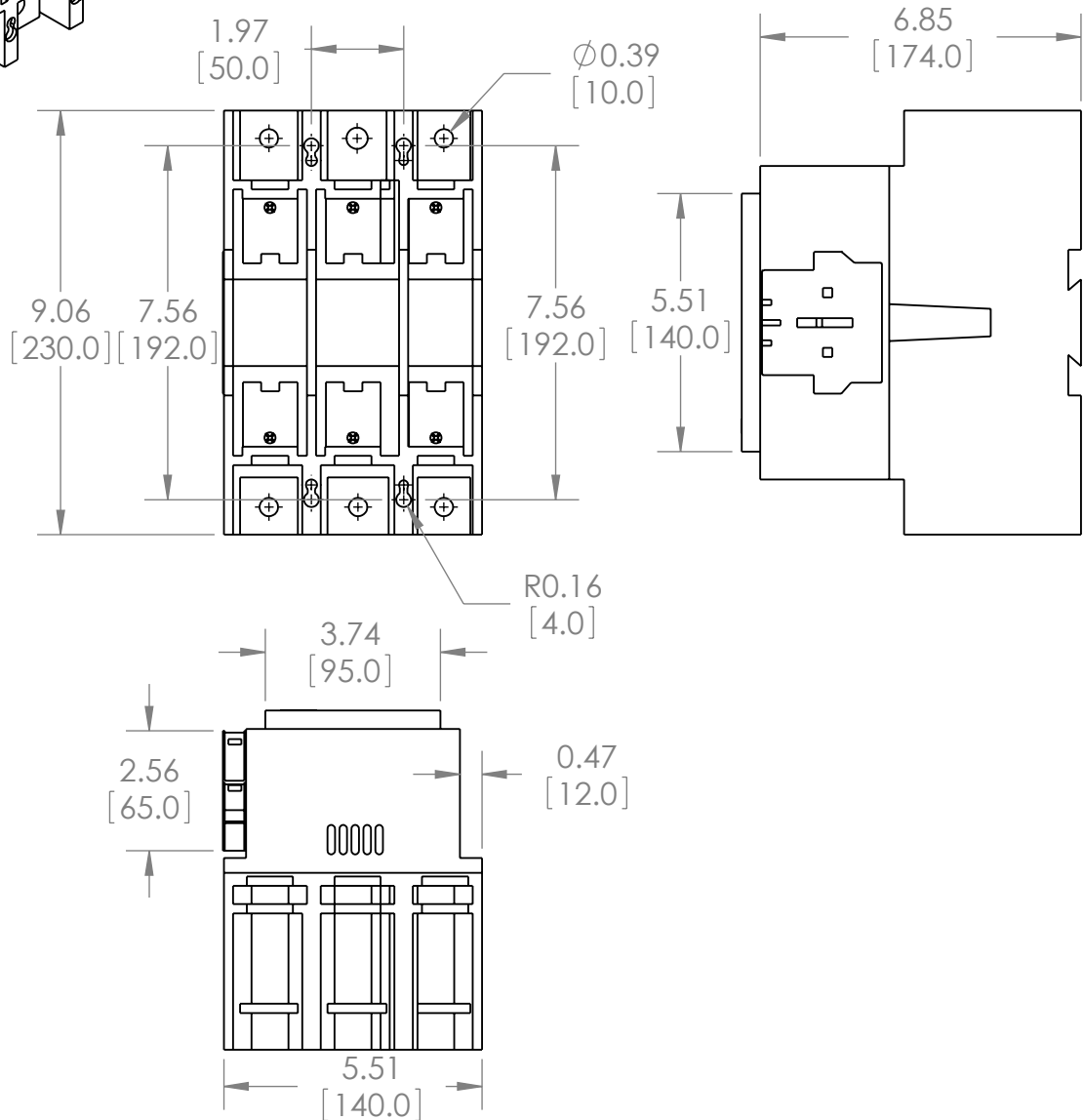
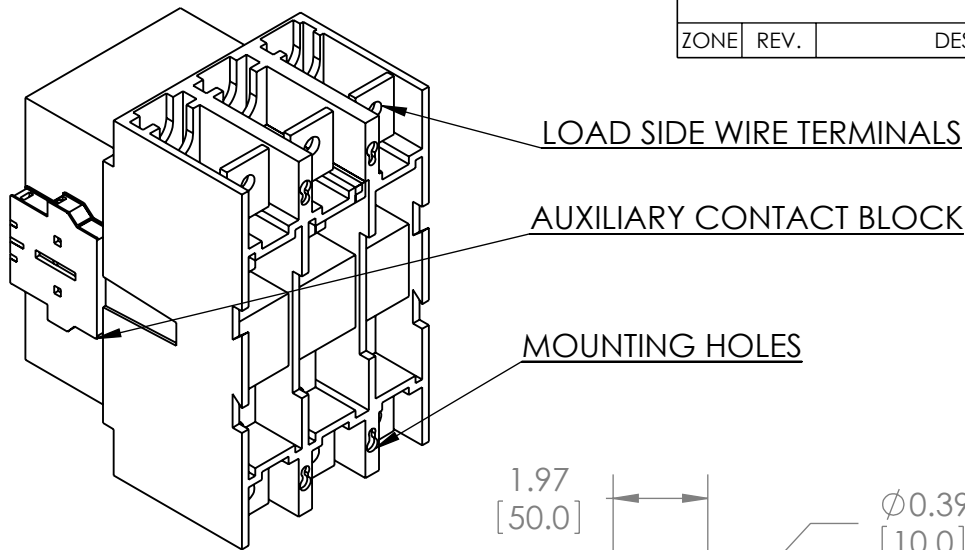
Voltage Selection Chart BA260-XXXX

BA260-30-11	120V AC
BA260-30-11-42	277V AC
BA260-30-11-51	480V AC
BA260-30-11-55	500/600V AC
BA260-30-11-80	220/240V AC
BA260-30-11-81	24V AC
BA260-30-11-83	48V AC
BA260-30-11-84	120V AC
BA260-30-11-86	415/440V AC

TYPE	VALUE (UNITS)	NOTES	COMMENTS
PHASE	3		
POLES	3		
VOLTAGE	600 (VAC)		
AMPERAGE	248 (A)		
COIL VOLTAGE MIN	277 (VAC)		
COIL VOLTAGE MAX	277 (VAC)		

Warranty: All Products sold by BRAH Electric are guaranteed to be free of defect for a period of one year, under the condition that the product has been installed and operated properly. All items proven defective within the one year period will be replaced by BRAH Electric. In the event that we cannot provide a direct replacement, your monies will be refunded in full. We are not responsible for any consequential losses or damages outside of the defective product as well as any replacements or repairs performed by another party without our written authorization from BRAH Electric.

REVISIONS				
ZONE	REV.	DESCRIPTION	DATE	APPROVED



*NOTE: BRAH ELECTRIC CONTACTOR BA260-30-11-42 IS AN AFTERMARKET DIRECT REPLACEMENT FOR A260-30-11-42, A-LINE SERIES. SUITABLE FOR USE WITH A-LINE SERIES MOTOR CONTROL SYSTEMS

THIRD ANGLE PROJECTION

PROPRIETARY AND CONFIDENTIAL

THE INFORMATION CONTAINED IN THIS DRAWING IS THE SOLE PROPERTY OF BRAH ELECTRIC. ANY REPRODUCTION IN PART OR AS A WHOLE WITHOUT THE WRITTEN PERMISSION OF BRAH ELECTRIC IS PROHIBITED.

UNLESS OTHERWISE NOTED
ALL DIMENSIONS ARE IN INCHES
METRIC UNITS ARE DISPLAYED
BENEATH IN [MM.]

MATERIAL
MOLDED PLASTIC CASE

FINISH
N/A

DO NOT SCALE DRAWING

MAGNETIC CONTACTOR

SIZE **A** DWG. NO. **BA260-30-11-42** REV. **A**

SCALE: 1:4 WEIGHT: 3.2 LBS SHEET 1 OF 1