

## PRODUCT DATA SHEET



**PART NUMBER – BA260-30-11-81:** BRAH Electric, aftermarket direct replacement contactors for ABB A260-30-11-81, 248 amp, 600 volt, 3 pole, complete with 24V AC control coil, 1 normally open, 1 normally closed auxiliary contact, suitable for use with ABB A-Line type A260, direct substitute contactor for ABB OEM A260-30-11-81

### PRODUCT SPECIFICATION

MAGNETIC CONTACTOR  
PART NO. BA260-30-11-81

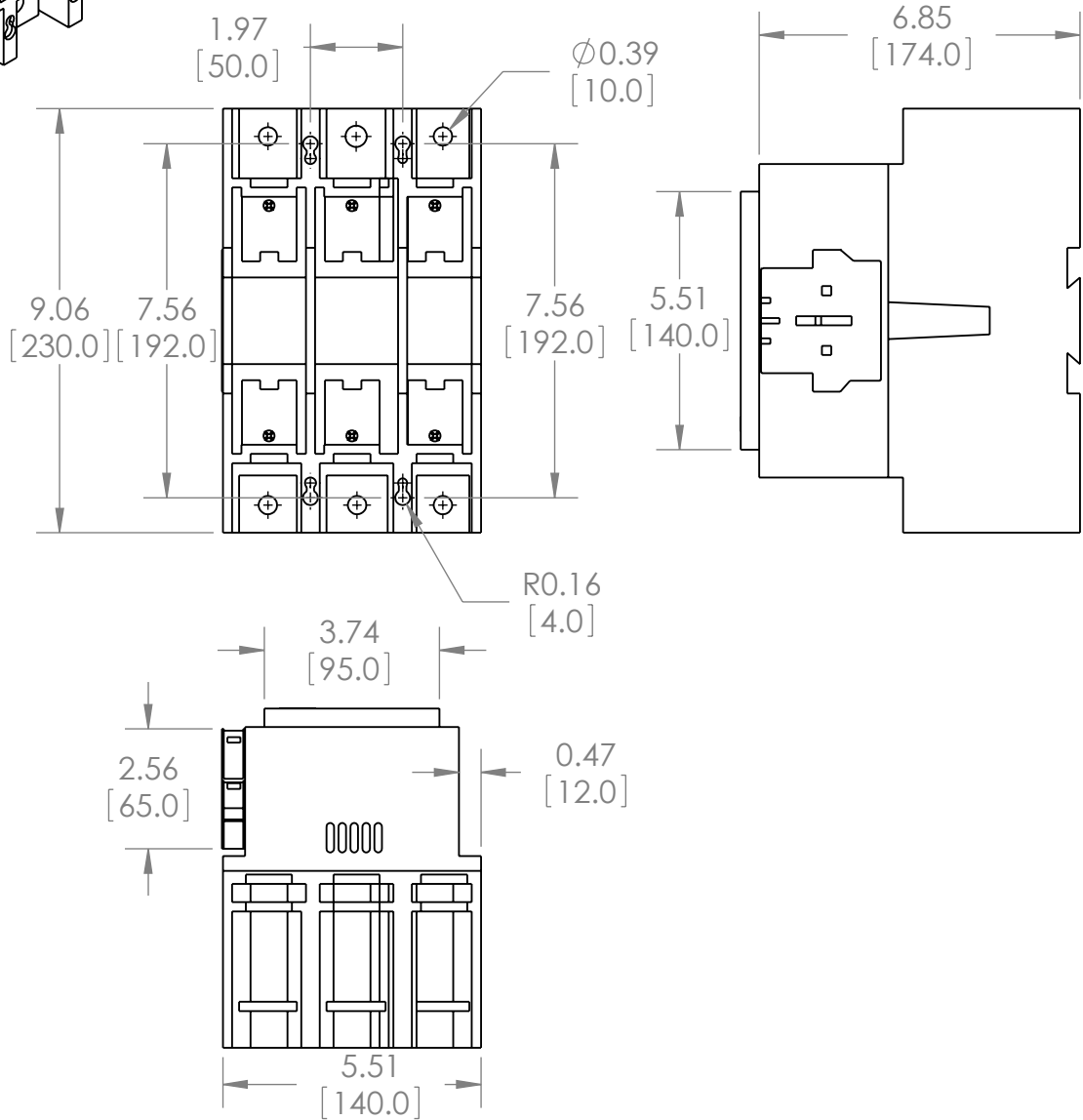
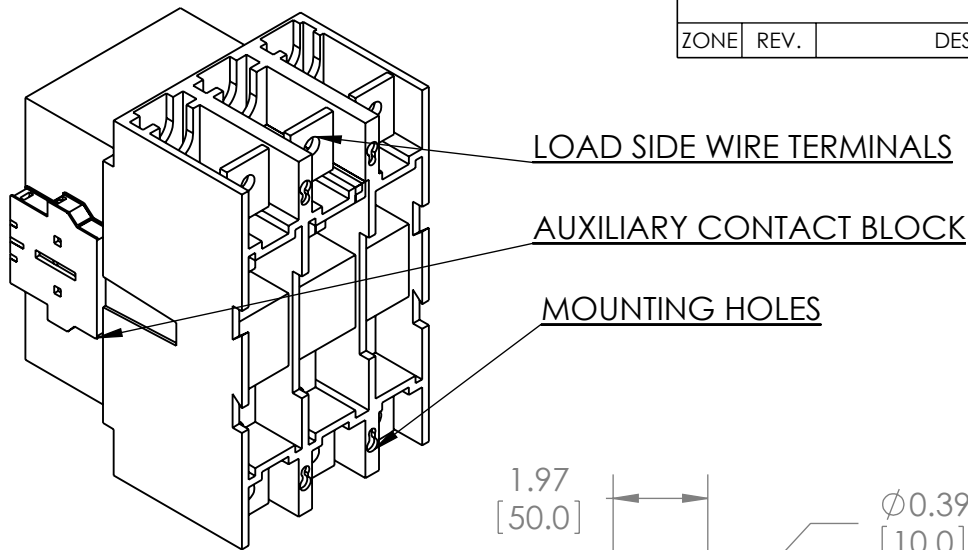
#### Voltage Selection Chart BA260-XXXX

BA260-30-11	120V AC
BA260-30-11-42	277V AC
BA260-30-11-51	480V AC
BA260-30-11-55	500/600V AC
BA260-30-11-80	220/240V AC
BA260-30-11-81	24V AC
BA260-30-11-83	48V AC
BA260-30-11-84	120V AC
BA260-30-11-86	415/440V AC

	TYPE	VALUE (UNITS)	NOTES	COMMENTS
PHASE		3		
	POLES	3		
VOLTAGE		600 (VAC)		
AMPERAGE		248 (A)		
COIL VOLTAGE MIN		24 (VAC)		
COIL VOLTAGE MAX		24 (VAC)		

**Warranty:** All Products sold by BRAH Electric are guaranteed to be free of defect for a period of one year, under the condition that the product has been installed and operated properly. All items proven defective within the one year period will be replaced by BRAH Electric. In the event that we cannot provide a direct replacement, your monies will be refunded in full. We are not responsible for any consequential losses or damages outside of the defective product as well as any replacements or repairs performed by another party without our written authorization from BRAH Electric.

REVISIONS				
ZONE	REV.	DESCRIPTION	DATE	APPROVED



\*NOTE: BRAH ELECTRIC CONTACTOR BA260-30-11-81 IS AN AFTERMARKET DIRECT REPLACEMENT FOR A260-30-11-81, A-LINE SERIES. SUITABLE FOR USE WITH A-LINE SERIES MOTOR CONTROL SYSTEMS

THIRD ANGLE PROJECTION

**PROPRIETARY AND CONFIDENTIAL**  
 THE INFORMATION CONTAINED IN THIS DRAWING IS THE SOLE PROPERTY OF BRAH ELECTRIC. ANY REPRODUCTION IN PART OR AS A WHOLE WITHOUT THE WRITTEN PERMISSION OF BRAH ELECTRIC IS PROHIBITED.

UNLESS OTHERWISE NOTED  
 ALL DIMENSIONS ARE IN INCHES  
 METRIC UNITS ARE DISPLAYED  
 BENEATH IN [ MM. ]

MATERIAL  
 MOLDED PLASTIC CASE

FINISH  
 N/A

DO NOT SCALE DRAWING

**BRAH**  
 Electric

**MAGNETIC CONTACTOR**

SIZE <b>A</b>	DWG. NO. <b>BA260-30-11-81</b>	REV. <b>A</b>
SCALE: 1:4	WEIGHT: 3.2 LBS	SHEET 1 OF 1