

PRODUCT DATA SHEET



PART NUMBER – BA300-30-11-81: BRAH Electric, aftermarket direct replacement contactors for ABB A302-30-11-81, A-Line series, type A300, 3P, 3PH, 302A, 600V, complete with 24V AC coil, and 1 NO/1NC auxiliary contact, AC contactor, suitable for use with A-Line series motor control systems.

PRODUCT SPECIFICATION

MAGNETIC CONTACTOR
PART NO. BA300-30-11-81

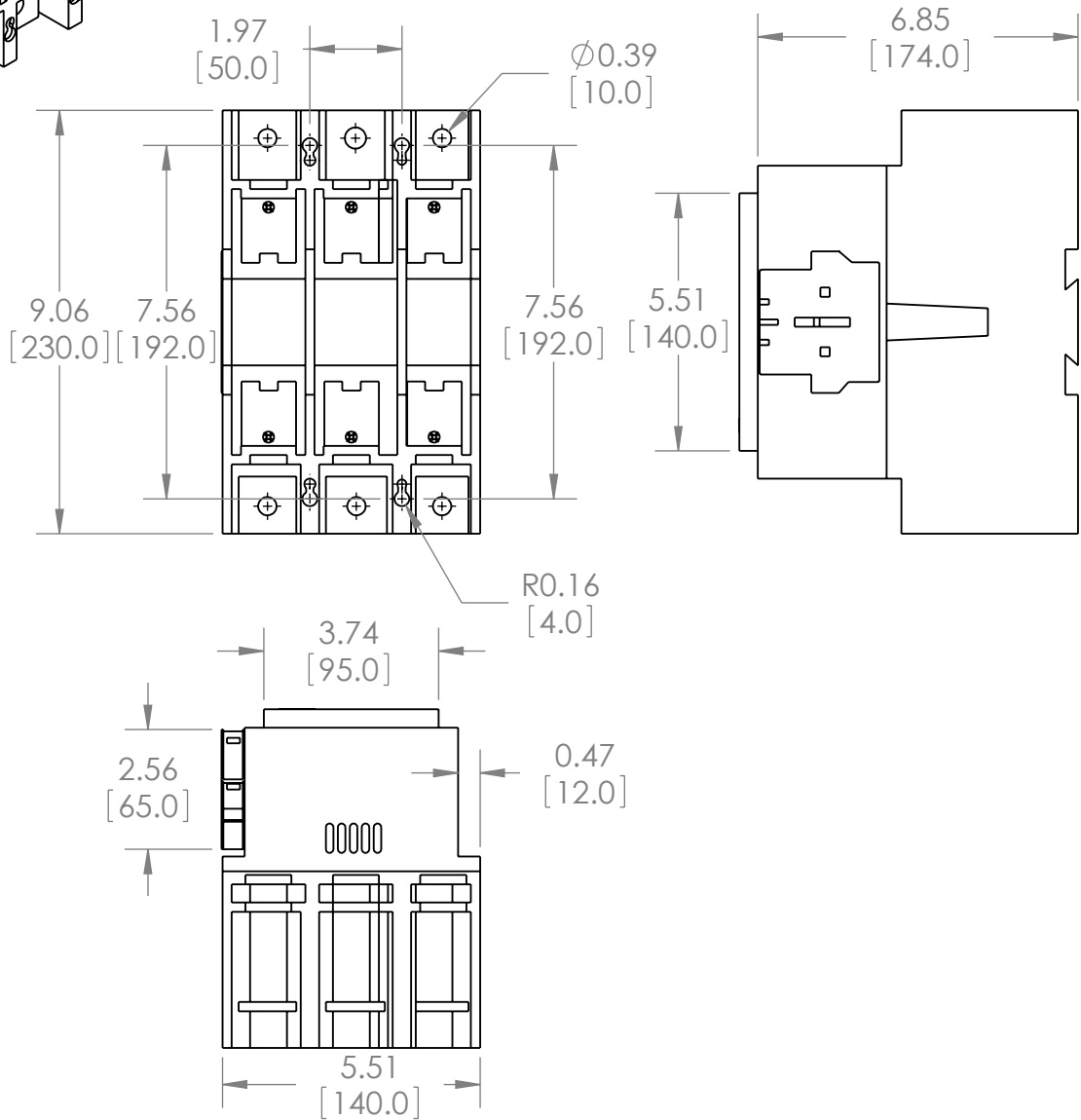
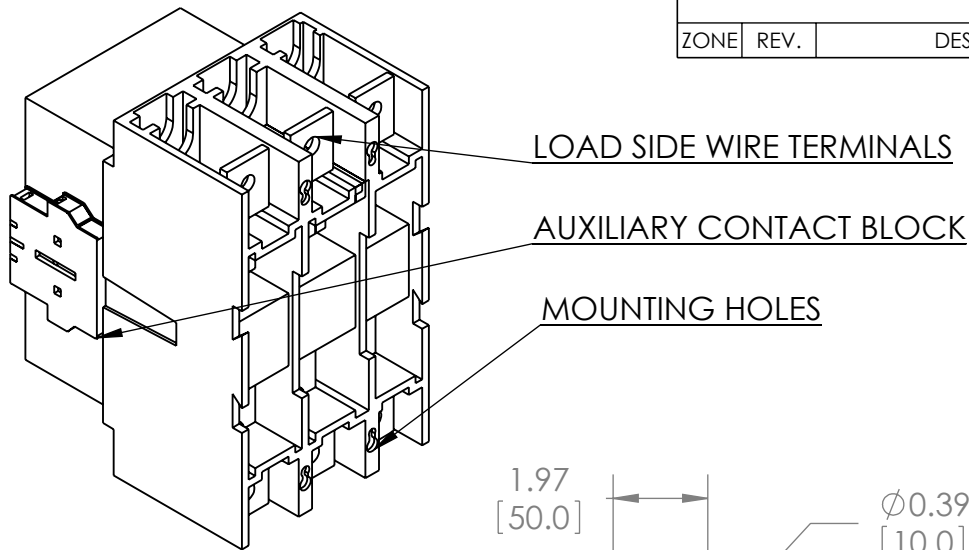
**Voltage Selection Charts
BA300-XXXX**

BA300-30-11	120V AC
BA300-30-11-42	277V AC
BA300-30-11-51	480V AC
BA300-30-11-55	550/600V AC
BA300-30-11-80	220/240V AC
BA300-30-11-81	24V AC
BA300-30-11-83	48V AC
BA300-30-11-84	120V AC
BA300-30-11-86	415/440V AC

TYPE	VALUE (UNITS)	NOTES	COMMENTS
PHASE	3		
POLES	3		
VOLTAGE	600 (VAC)		
AMPERAGE	302 (A)		
COIL VOLTAGE MIN	24 (VAC)		
COIL VOLTAGE MAX	24 (VAC)		

Warranty: All Products sold by BRAH Electric are guaranteed to be free of defect for a period of one year, under the condition that the product has been installed and operated properly. All items proven defective within the one year period will be replaced by BRAH Electric. In the event that we cannot provide a direct replacement, your monies will be refunded in full. We are not responsible for any consequential losses or damages outside of the defective product as well as any replacements or repairs performed by another party without our written authorization from BRAH Electric.

REVISIONS				
ZONE	REV.	DESCRIPTION	DATE	APPROVED



*NOTE: BRAH ELECTRIC CONTACTOR BA300-30-11-81 IS AN AFTERMARKET DIRECT REPLACEMENT FOR A300-30-11-81, A-LINE SERIES. SUITABLE FOR USE WITH A-LINE SERIES MOTOR CONTROL SYSTEMS

THIRD ANGLE PROJECTION

PROPRIETARY AND CONFIDENTIAL

THE INFORMATION CONTAINED IN THIS DRAWING IS THE SOLE PROPERTY OF BRAH ELECTRIC. ANY REPRODUCTION IN PART OR AS A WHOLE WITHOUT THE WRITTEN PERMISSION OF BRAH ELECTRIC IS PROHIBITED.

UNLESS OTHERWISE NOTED
ALL DIMENSIONS ARE IN INCHES
METRIC UNITS ARE DISPLAYED
BENEATH IN [MM.]

MATERIAL
MOLDED PLASTIC CASE

FINISH
N/A

DO NOT SCALE DRAWING

BRAH
Electric

MAGNETIC CONTACTOR

SIZE **A** DWG. NO. BA300-30-11-81 REV. **A**

SCALE: 1:4 WEIGHT: 3.2 LBS SHEET 1 OF 1