

PRODUCT DATA SHEET



PART NUMBER – BA63-30-11-86: BRAH Electric, aftermarket direct replacement contactors for ABB A63-30-11-86, A-Line series, type A, 3P, 3PH, 65A, 600V, 25HP @ 240V, 50HP @ 480V, 60HP @ 600V, complete with 415/440V AC coil, and 1 NO/NC auxiliary contact, AC magnetic contactor, suitable for use with A-Line series motor control systems

PRODUCT SPECIFICATIONS

MAGNETIC CONTACTOR
PART NO. BA63-30-11-86

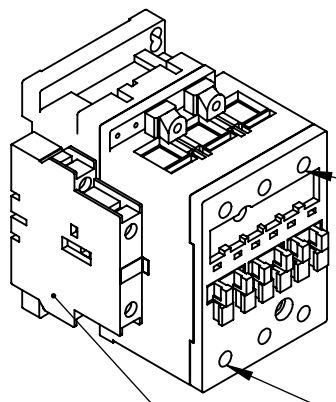
Voltage Selection Charts BA63-XXXX

BA63-30-11	120V AC
BA63-30-11-34	208V AC
BA63-30-11-42	277V AC
BA63-30-11-51	480V AC
BA63-30-11-55	500/600V AC
BA63-30-11-80	220/240V AC
BA63-30-11-81	24V AC
BA63-30-11-83	48V AC
BA63-30-11-84	120V AC
BA63-30-11-86	415/440V AC

TYPE	VALUE (UNITS)	NOTES	COMMENTS
PHASE	3		
POLES	3		
VOLTAGE	600 (VAC)		
AMPERAGE	65 (A)		
COIL VOLTAGE MIN	415 (VAC)		
COIL VOLTAGE MAX	440 (VAC)		
MIN HP. RATING	25 (HP)	@ 240V	
MAX HP RATING	60 (HP)	@ 600V	

Warranty: All Products sold by BRAH Electric are guaranteed to be free of defect for a period of one year, under the condition that the product has been installed and operated properly. All items proven defective within the one year period will be replaced by BRAH Electric. In the event that we cannot provide a direct replacement, your monies will be refunded in full. We are not responsible for any consequential losses or damages outside of the defective product as well as any replacements or repairs performed by another party without our written authorization from BRAH Electric.

REVISIONS				
ZONE	REV.	DESCRIPTION	DATE	APPROVED



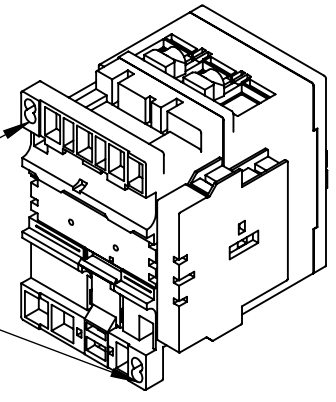
LOAD SIDE WIRE TERMINALS

MOUNTING HOLES

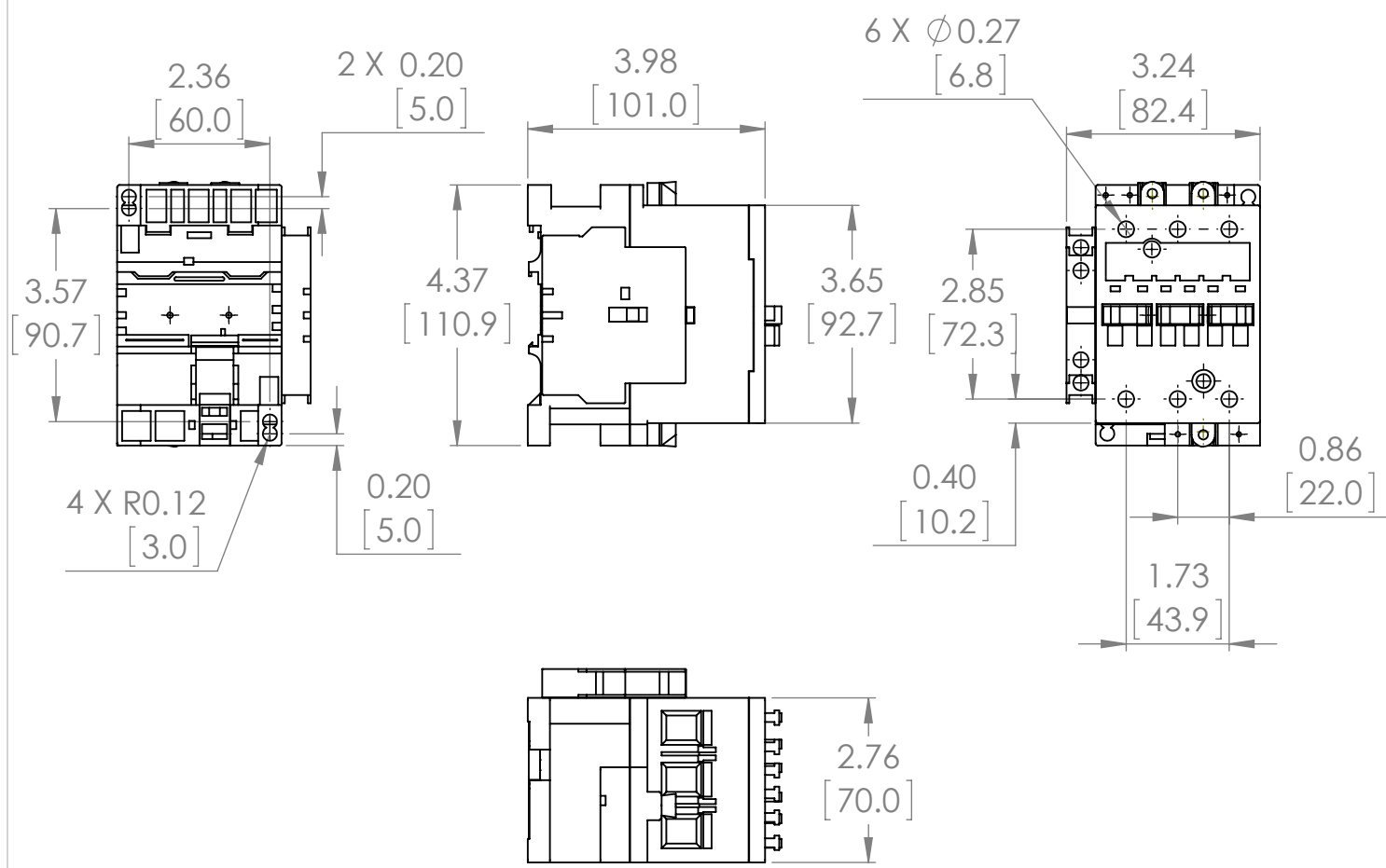
STOPS FOR ATTACHING FRONT MOUNTED ACCESSORIES

AUXILIARY CONTACTS

ISO VIEW



ISO VIEW



WWW.BRAHELECTRIC.COM, 855-355-2724

*NOTE: BRAH ELECTRIC CONTACTOR BA63-30-11-86 IS AN AFTERMARKET DIRECT REPLACEMENT FOR A63-30-11-86, A-LINE SERIES. SUITABLE FOR USE WITH A-LINE SERIES MOTOR CONTROL SYSTEMS

<p>THIRD ANGLE PROJECTION</p>	<p>UNLESS OTHERWISE NOTED</p> <p>ALL DIMENSIONS ARE IN INCHES METRIC UNITS ARE DISPLAYED BENEATH IN [MM.]</p>	
	<p>PROPRIETARY AND CONFIDENTIAL</p> <p>THE INFORMATION CONTAINED IN THIS DRAWING IS THE SOLE PROPERTY OF BRAH ELECTRIC. ANY REPRODUCTION IN PART OR AS A WHOLE WITHOUT THE WRITTEN PERMISSION OF BRAH ELECTRIC IS PROHIBITED.</p>	
<p>MATERIAL MOLDED PLASTIC CASE</p>	<p>FINISH N/A</p>	<p>SIZE A DWG. NO. BA63-30-11-86 REV. A</p>
<p>DO NOT SCALE DRAWING</p>	<p>SCALE: 1:3</p>	<p>WEIGHT: SHEET 1 OF 1</p>