



CONTACT US @ 855-355-2724

E-Mail: [Sales@brahelectric.com](mailto:Sales@brahelectric.com)

[www.Brahelectric.com](http://www.Brahelectric.com)

## PRODUCT DATA SHEET



Auxiliary Contact

Picture is for reference only,  
Actual Kit may vary slightly

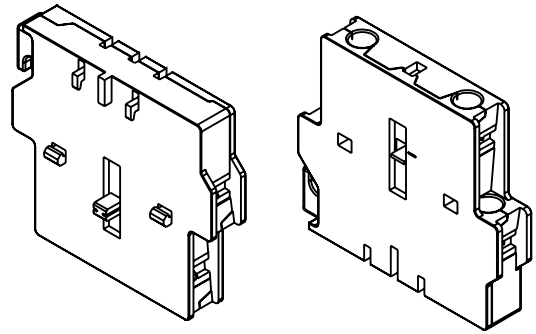
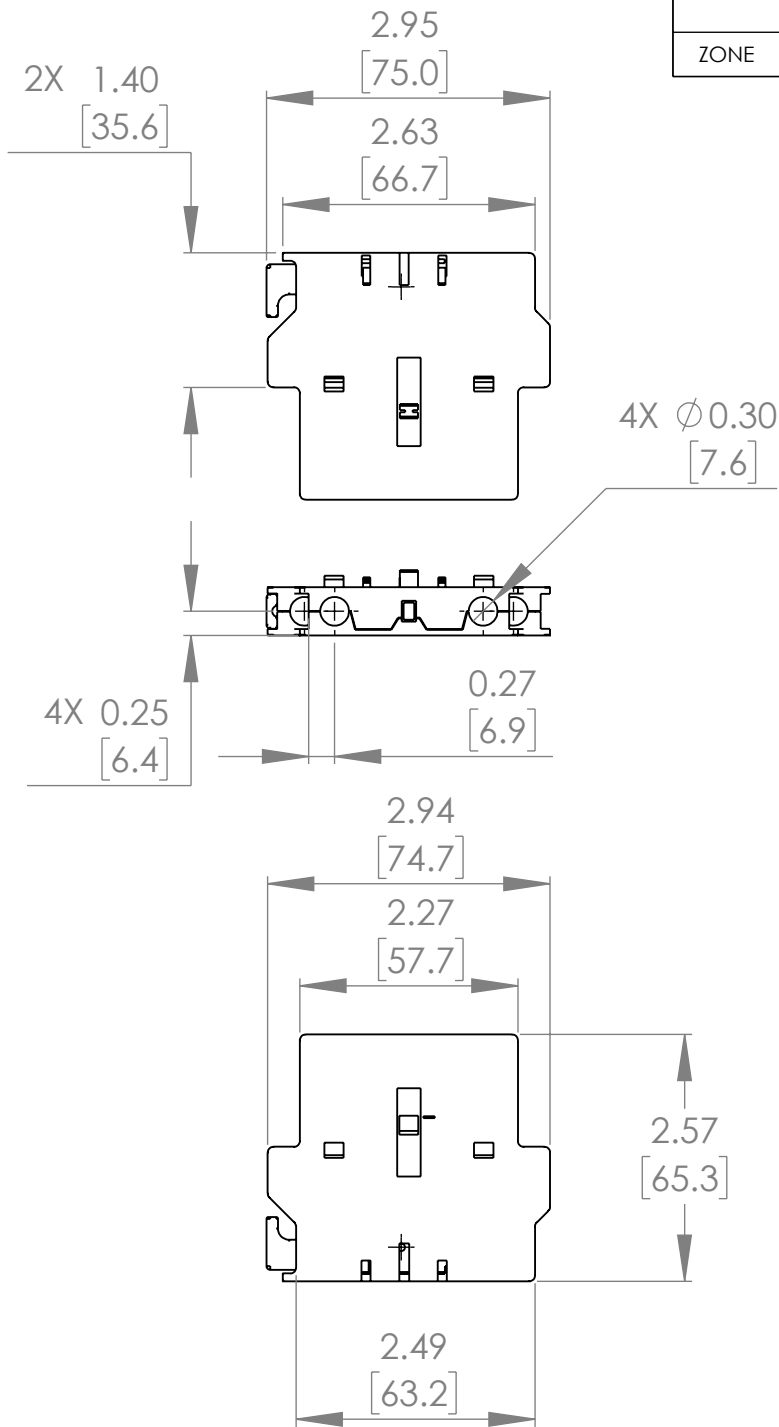
**PART NUMBER- BCAL5-11-** BRAH ELECTRIC, EH series, CAL5-11, 1 NO / 1 NC side mount auxiliary contact, suitable for use with ABB A-Line Series contactors and motor starter model types A9-A110, AE45-AE110, AL9-AL40, TAL9-TAL40, direct substitute for ABB OEM CA5-11

### PRODUCT SPECIFICATIONS

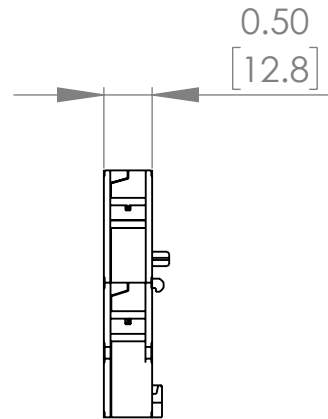
Manufacturer	BRAH Electric
Sub-Category	Contactors and Motor Starter Auxiliaries
Family	A-Line
Type	CAL
Suitable for	A9,A12,A16,A26,A30,A40,A50,A63,A75,AE45,AE50,AE63,AE75,AL9,AL12,AL26,AL30,AL40,TAL9,TAL12,TAL16,TAL26,TAL30,TAL40,TAE45,TAE50,TAE63,TAE75,AF45,AF50,AF63,AF75
Configuration	1NO/1NC

**Warranty:** All Products sold by BRAH Electric are guaranteed to be free of defect for a period of two years, under the condition that the product has been installed and operated properly. All items proven defective within the one year period will be replaced by BRAH Electric. In the event that we cannot provide a direct replacement, your monies will be refunded in full. We are not responsible for any consequential losses or damages outside of the defective product as well as any replacements or repairs performed by another party without our written authorization from BRAH Electric.

REVISIONS				
ZONE	REV.	DESCRIPTION	DATE	APPROVED



ISO VIEW



\* NOTE: BRAH ELECTRIC AUXILIARY CONTACTS ARE A DIRECT REPLACEMENT FOR ABB CAL5-11, A-LINE SERIES, TYPE BCAL, 1NO/1NC, SUITABLE FOR USE WITH A50, A63, A75, A95, A110, A9, A12, A16, A26, A30, A40, AE45, AE50, AE63, AE75, AE95, AE110, AL9, AL12, AL16, AL26, AL30, AL40, TAL9, TAL12, TAL16, TAL26, TAL30, TAL40, AF45 CONTACTORS

<p>THIRD ANGLE PROJECTION</p>	<p>UNLESS OTHERWISE NOTED</p> <p>ALL DIMENSIONS ARE IN INCHES</p> <p>METRIC UNITS ARE DISPLAYED</p> <p>BENEATH IN [ MM. ]</p>			
	<p>PROPRIETARY AND CONFIDENTIAL</p> <p>THE INFORMATION CONTAINED IN THIS DRAWING IS THE SOLE PROPERTY OF BRAH ELECTRIC. ANY REPRODUCTION IN PART OR AS A WHOLE WITHOUT THE WRITTEN PERMISSION OF BRAH ELECTRIC IS PROHIBITED.</p>			<p>MATERIAL</p> <p>-</p>
<p>FINISH</p> <p>N/A</p>	<p>DO NOT SCALE DRAWING</p>	<p>SIZE <b>A</b></p>	<p>DWG. NO.</p> <p>BCAL5-11</p>	<p>REV.</p> <p><b>A</b></p>
		<p>SCALE:1:2</p>	<p>WEIGHT:</p>	<p>SHEET 1 OF 1</p>