



CONTACT US @ 855-355-2724

E-Mail: Sales@brahelectric.com

www.Brahelectric.com

PRODUCT DATA SHEET



UNDER VOLTAGE RELEASE
Picture is for reference only,
Actual Kit may vary slightly

PART NUMBER- BE-685658CC:

BE-685658CC, BRAH Electric, Masterpact,
Closing coils, type XF, 220/250VAC,
200/220VDC (XF) suitable for use with
MP frame insulated case, rated 800 amp
– 5000 amp circuit breakers, direct
substitute closing release for Merlin
Gerin XF-E Closing Coils for OEM 685658CC.

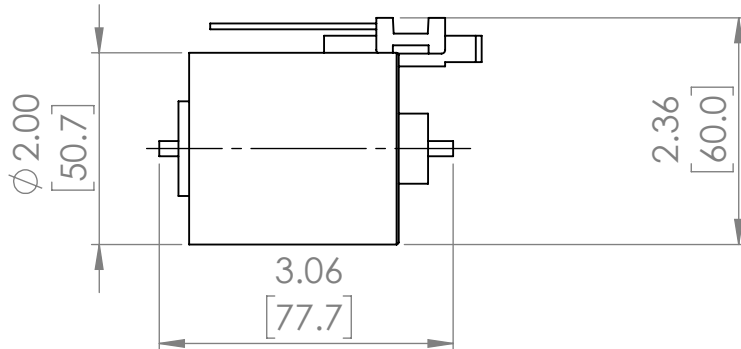
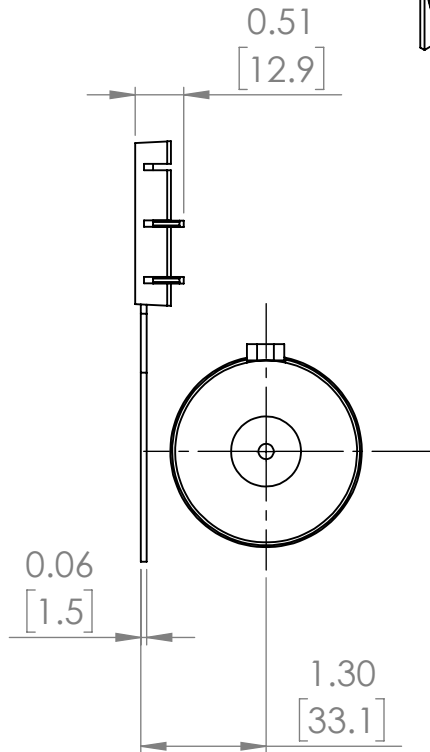
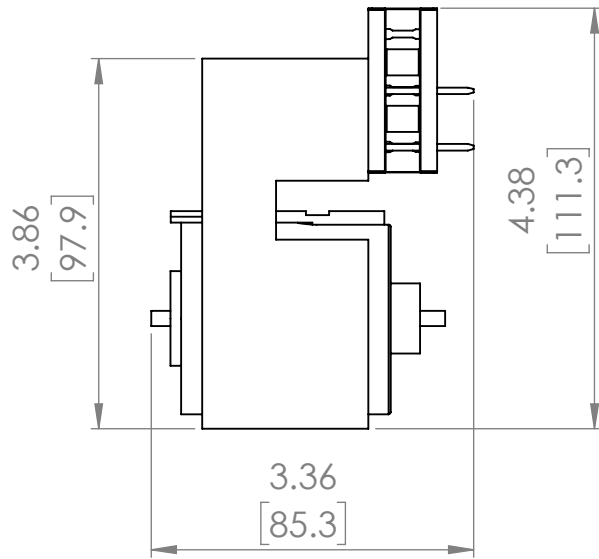
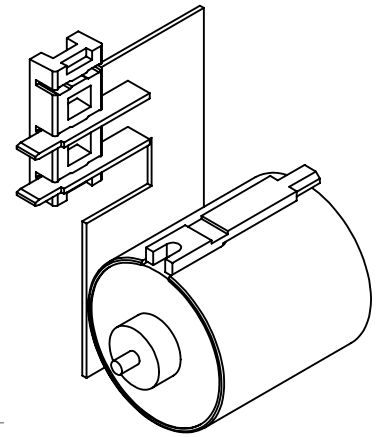
PRODUCT SPECIFICATIONS

Manufacturer	BRAH Electric
Sub-Category	Closing Coils
Family	Masterpact
Type	XF
Frame Type	MP
OEM Manufacturer	Merlin Gerin
OEM Part Number	685658
Control Voltage Min	220
Control Voltage Max	250

Warranty: All Products sold by BRAH Electric are guaranteed to be free of defect for a period of two years, under the condition that the product has been installed and operated properly. All items proven defective within the one year period will be replaced by BRAH Electric. In the event that we cannot provide a direct replacement, your monies will be refunded in full. We are not responsible for any consequential losses or damages outside of the defective product as well as any replacements or repairs performed by another party without our written authorization from BRAH Electric.

PRODUCT DIMENSIONS

REVISIONS				
ZONE	REV.	DESCRIPTION	DATE	APPROVED



NOTE: BRAH ELECTRIC COILS ARE A DIRECT REPLACEMENT FOR XF-E CLOSING RELEASE FOR MERLIN GERIN 685658CC, MASTERPACT, TYPE MP, 220/250VAC, 200/220VDC SUITABLE FOR USE WITH 800AMP - 5000AMP INSULATED CASE FRAME CIRCUIT BREAKERS

WWW.BRAHELECTRIC.COM, 855-355-2724

<p>THIRD ANGLE PROJECTION</p>	UNLESS OTHERWISE NOTED							
	ALL DIMENSIONS ARE IN INCHES METRIC UNITS ARE DISPLAYED BENEATH IN [MM.]							
PROPRIETARY AND CONFIDENTIAL	MATERIAL	CLOSING COILS						
THE INFORMATION CONTAINED IN THIS DRAWING IS THE SOLE PROPERTY OF BRAH ELECTRIC. ANY REPRODUCTION IN PART OR AS A WHOLE WITHOUT THE WRITTEN PERMISSION OF BRAH ELECTRIC IS PROHIBITED.	FINISH							
	DO NOT SCALE DRAWING	<table border="1"> <tr> <td>SIZE A</td> <td>DWG. NO. BE-685658CC</td> <td>REV. A</td> </tr> <tr> <td>SCALE:1:2</td> <td>WEIGHT:</td> <td>SHEET 1 OF 1</td> </tr> </table>	SIZE A	DWG. NO. BE-685658CC	REV. A	SCALE:1:2	WEIGHT:	SHEET 1 OF 1
SIZE A	DWG. NO. BE-685658CC	REV. A						
SCALE:1:2	WEIGHT:	SHEET 1 OF 1						