



CONTACT US @ 855-355-2724

E-Mail: Sales@brahelectric.com

www.Brahelectric.com

PRODUCT DATA SHEET



Shunt Trips

Picture is for reference only,
Actual Kit may vary slightly

PART NUMBER- BE-TPST7:

BE- TPST7, General Electric, Power Break I, type TPST, shunt trip, 12VDC, 800 amp – 2000 amp, suitable for use with TRLS, TRLL, TRPA, TRPP, TRL, TRP circuit breaker frame types, Direct substitute shunt trip for General Electric OEM TPST7.

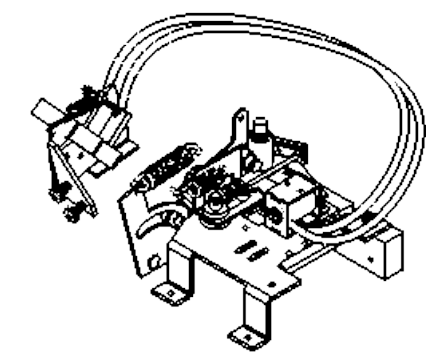
PRODUCT SPECIFICATIONS

Manufacturer	BRAH Electric
Sub-Category	Shunt Trips
Family	Power Break I
Type	TPST
OEM Manufacturer	General Electric
OEM Part Number	TPST7
Type For	TRLA, TRLL, TRPA, TRPP, TRL, TRP
Control Voltage Min	12
Control Voltage Max	12

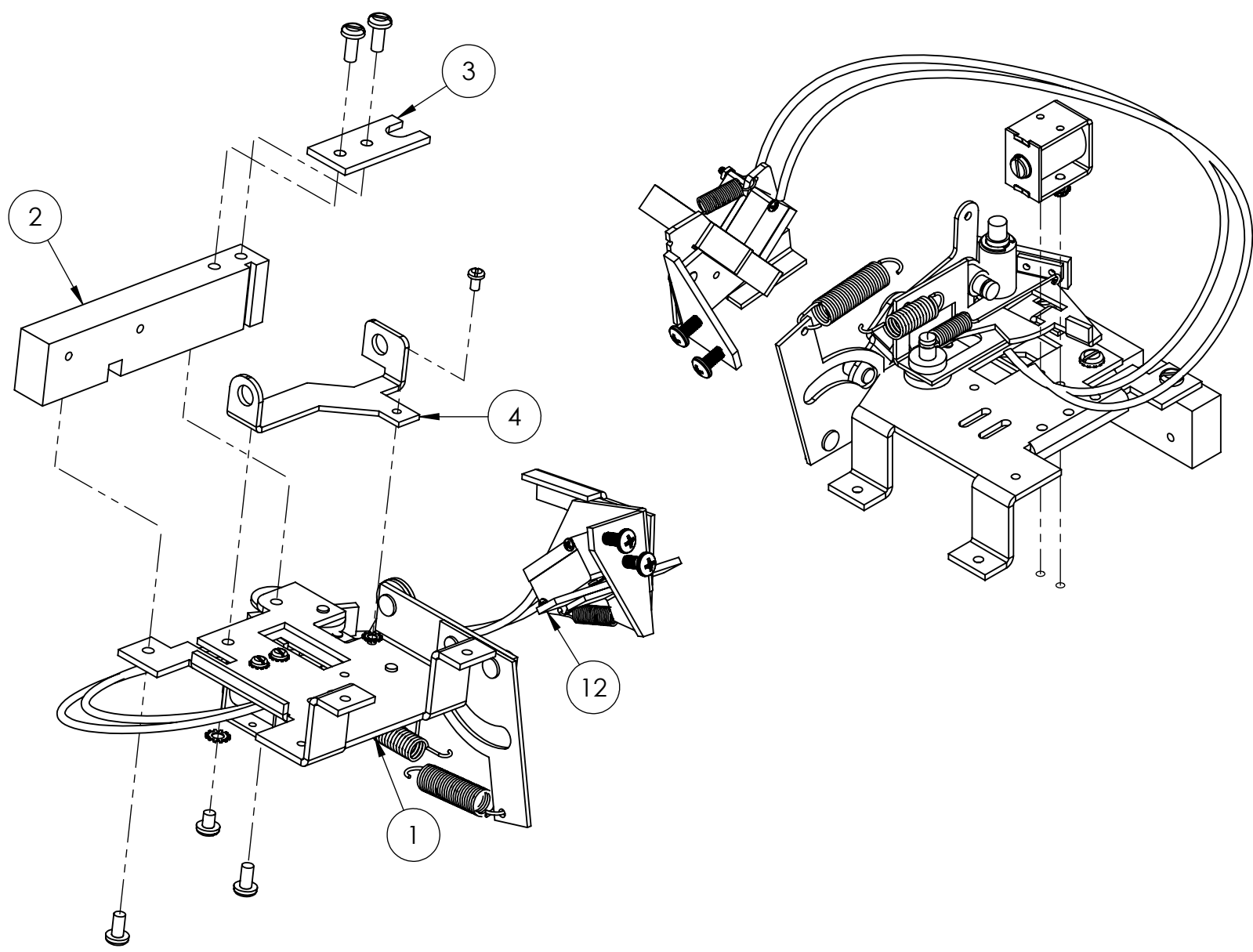
Warranty: All Products sold by BRAH Electric are guaranteed to be free of defect for a period of two years, under the condition that the product has been installed and operated properly. All items proven defective within the one year period will be replaced by BRAH Electric. In the event that we cannot provide a direct replacement, your monies will be refunded in full. We are not responsible for any consequential losses or damages outside of the defective product as well as any replacements or repairs performed by another party without our written authorization from BRAH Electric.

NOTE:
FOR MATERIAL INFORMATION SEE SEPERATE DRAWING

REVISIONS				
ZONE	REV.	DESCRIPTION	DATE	APPROVED



ISO VIEW



ITEM NO.	PART NUMBER DESCRIPTION	QTY.
1	102054-101_BASE PLATE - SOLENOID ASSEMBLY	1
2	102054-016_HYLAM BLOCK	1
3	102054-017_HYLAM SHEET	1
4	102054-015_BRACKET	1
5	SCREW M4 x 0.7	2
6	SCREW M4 x 0.7	1
7	M3 x0.5	1
8	GEAR WASHERS M4	1
9	SCREW M4 x 0.7	2
10	GEAR WASHERS M3	1
11	SOLENOID ASSEMBLY	1
12	102054-105_L-SUPPORT_CONTROLLER ASSEMBLY	1
13	102054-022_Cam Activator	1
14	98407A122	1
15	3114T67	1
16	3114T57	1
17	102054-026_Custom extension spring	1
18	102054-027_Cam Rocker Epoxy trigger	1
19	Part3^BE-TPST7	1
20	Part4^BE-TPST7	1
21	102054-033_Solenoid Wire	2

<p>THIRD ANGLE PROJECTION</p>	<p>UNLESS OTHERWISE SPECIFIED:</p> <p>DIMENSIONS ARE IN MM</p> <p>TOLERANCES:</p> <p>ANGULAR: MACH ± .5 DEG.</p> <p>WHOLE NUMBER ± .5</p> <p>ONE PLACE DECIMAL ± .25</p> <p>TWO PLACE DECIMAL ± .13</p>	<table border="1"> <tr> <td>NAME</td> <td>DATE</td> </tr> <tr> <td>DRAWN</td> <td></td> </tr> <tr> <td>CHECKED</td> <td></td> </tr> <tr> <td>ENG APPR.</td> <td></td> </tr> <tr> <td>MFG APPR.</td> <td></td> </tr> <tr> <td>Q.A.</td> <td></td> </tr> </table>	NAME	DATE	DRAWN		CHECKED		ENG APPR.		MFG APPR.		Q.A.		<p>TITLE:</p> <p>BE-TPST7</p>
	NAME	DATE													
DRAWN															
CHECKED															
ENG APPR.															
MFG APPR.															
Q.A.															
<p>INTERPRET GEOMETRIC TOLERANCING PER: ASME Y14.5M-1994</p> <p>MATERIAL REFER TABLE</p> <p>FINISH -</p> <p>DO NOT SCALE DRAWING</p>	<p>COMMENTS:</p>														
<p>PROPRIETARY AND CONFIDENTIAL</p> <p>THE INFORMATION CONTAINED IN THIS DRAWING IS THE SOLE PROPERTY OF BRAH ELECTRIC, LLC. ANY REPRODUCTION IN PART OR AS A WHOLE WITHOUT THE WRITTEN PERMISSION OF BRAH ELECTRIC, LLC IS PROHIBITED.</p>	<p>SIZE B</p> <p>DWG. NO. 102054</p> <p>SCALE: 1:2</p>	<p>REV 01</p> <p>WEIGHT:</p>	<p>SHEET 1 OF 6</p>												