



CONTACT US @ 855-355-2724

E-Mail: [Sales@brahelectric.com](mailto:Sales@brahelectric.com)

[www.Brahelectric.com](http://www.Brahelectric.com)

## PRODUCT DATA SHEET



Rating Plugs

Picture is for reference only,  
Actual Kit may vary slightly

### **PART NUMBER- BE-TR16B1200**

BE-TR16B1200, BRAH Electrical, Power Breaker II , type TR16, interchangeable rating plug , 1200A , to be Used with the 1600A Micro versa Trip

Plus, Micro versa trip PM Programmer trip device , within PBII , Wave pro &AKR-

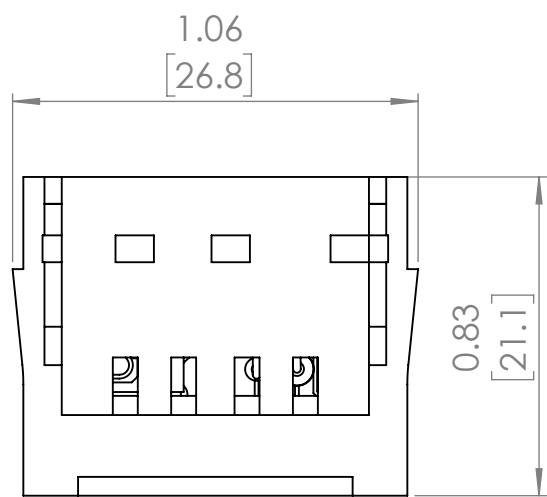
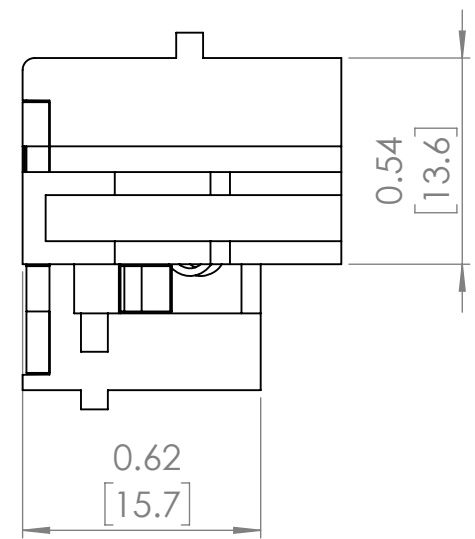
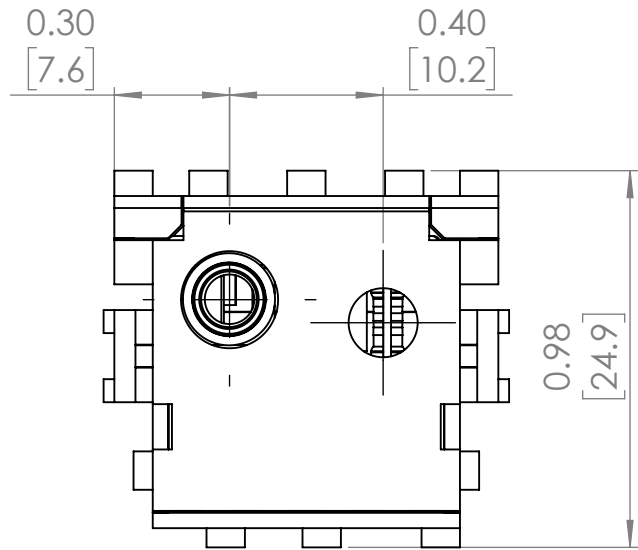
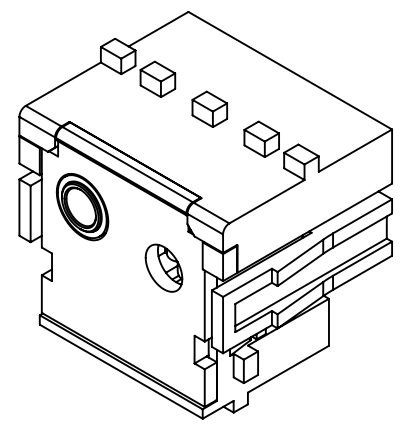
SSD,SHD,SSF,SHF,WPS,WPH,WPF,WPX,AKR50,AKR50H Circuit breaker frame types.

### **PRODUCT SPECIFICATIONS**

Manufacturer	BRAH Electric
Sub-Category	Rating Plugs
Family	Power Break II
Type	TR16
Type For	SSD, SHD, SSF, SHF, WPS, WPH, WPF, WPX, AKR50S, AKR50H
OEM Manufacturer	General Electric
Amperage Min	1200
Amperage Max	1200
Trip Type	MicroVersaTrip Plus, MicroVersaTrip PM

**Warranty:** All Products sold by BRAH Electric are guaranteed to be free of defect for a period of two years, under the condition that the product has been installed and operated properly. All items proven defective within the one year period will be replaced by BRAH Electric. In the event that we cannot provide a direct replacement, your monies will be refunded in full. We are not responsible for any consequential losses or damages outside of the defective product as well as any replacements or repairs performed by another party without our written authorization from BRAH Electric.

REVISIONS				
ZONE	REV.	DESCRIPTION	DATE	APPROVED



[WWW.BRAHELECTRIC.COM](http://WWW.BRAHELECTRIC.COM), 855-355-2724

<p>THIRD ANGLE PROJECTION</p>	<p>UNLESS OTHERWISE NOTED ALL DIMENSIONS ARE IN INCHES METRIC UNITS ARE DISPLAYED BENEATH IN [ MM. ]</p>			
	<p><b>PROPRIETARY AND CONFIDENTIAL</b> THE INFORMATION CONTAINED IN THIS DRAWING IS THE SOLE PROPERTY OF BRAH ELECTRIC. ANY REPRODUCTION IN PART OR AS A WHOLE WITHOUT THE WRITTEN PERMISSION OF BRAH ELECTRIC IS PROHIBITED.</p>			<p>MATERIAL</p> <p>FINISH</p> <p>DO NOT SCALE DRAWING</p>
<p>SIZE <b>A</b> DWG. NO. <b>BE-TR16B1200</b> REV. <b>A</b></p>		<p>SCALE: 2:1</p>	<p>WEIGHT: 3.2 LBS</p>	<p>SHEET 1 OF 1</p>