



CONTACT US @ 855-355-2724

E-Mail: Sales@brahelectric.com

www.Brahelectric.com

PRODUCT DATA SHEET



RATING PLUGS

Picture is for reference only,
Actual Kit may vary slightly

PART NUMBER- BE-TR16S800:

BE-TR16S800, 800-amp rating plug, type TR16, for use with 1600 amp CT sensor rating, suitable for General Electric Power Break I 1600 amp insulated frame types TP, TC, THP, THC, AKR50, AKR50H equipped with MicroVersaTrip RMS-9 solid state electronic trip units, direct substitute rating plug for General Electric OEM TR16S800.

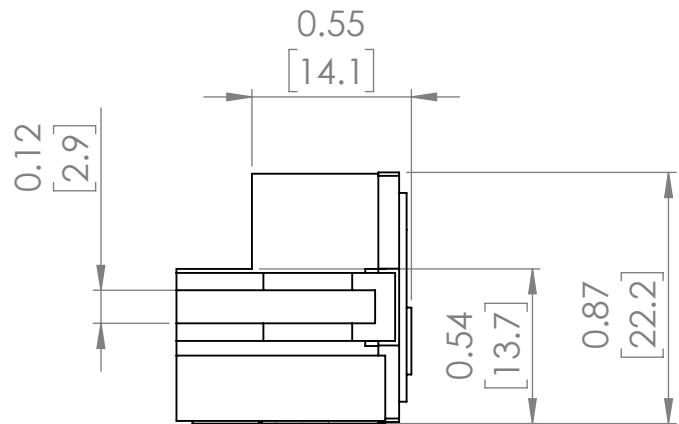
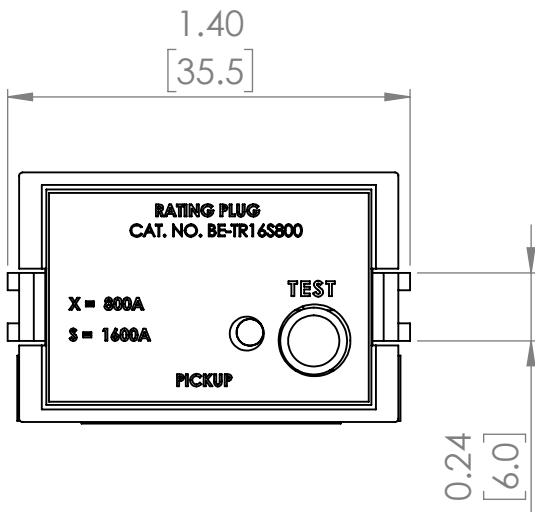
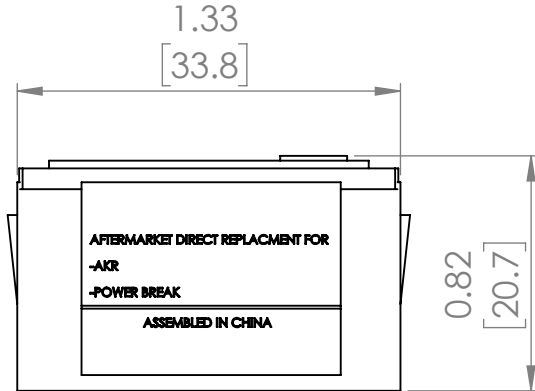
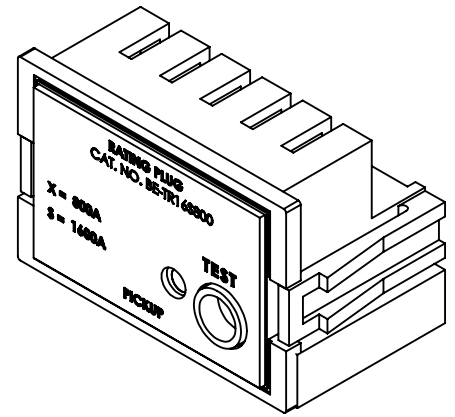
PRODUCT SPECIFICATIONS

| | |
|------------------|---------------------------------|
| Manufacturer | BRAH Electric |
| Sub-Category | Rating Plugs |
| Family | Power Break 1 |
| Type | TR16 |
| Type For | TP, TC, THP, THC, AKR50, AKR50H |
| OEM Manufacturer | General Electric |
| OEM Part Number | TR16S800 |
| Amperage Min | 800 |
| Amperage Max | 800 |
| Trip type | MicroVersaTrip RMS-9 |

Warranty: All Products sold by BRAH Electric are guaranteed to be free of defect for a period of two years, under the condition that the product has been installed and operated properly. All items proven defective within the one year period will be replaced by BRAH Electric. In the event that we cannot provide a direct replacement, your monies will be refunded in full. We are not responsible for any consequential losses or damages outside of the defective product as well as any replacements or repairs performed by another party without our written authorization from BRAH Electric.

PRODUCT DIMENSIONS

| REVISIONS | | | | |
|-----------|------|-------------|------|----------|
| ZONE | REV. | DESCRIPTION | DATE | APPROVED |



NOTE: BRAH ELECTRIC COILS ARE A DIRECT REPLACEMENT FOR GENERAL ELECTRIC, POWER BREAK 1, TYPE TR16,800 Amp PLUG FOR 1600 Amp CT SENSOR RATING, SUITABLE FOR USE WITH ALL TP, TC, THP, THC, AKR50, AKR50H EQUIPPED WITH MICROVERSA TRIP RMS-9 SOLID STATE ELECTRONIC TRIP UNITS .

| | | | | |
|-------------------------------|---|------------------------|------------------------------------|---|
| <p>THIRD ANGLE PROJECTION</p> | <p>UNLESS OTHERWISE NOTED ALL DIMENSIONS ARE IN INCHES METRIC UNITS ARE DISPLAYED BENEATH IN [MM.]</p> | | | |
| | <p>PROPRIETARY AND CONFIDENTIAL THE INFORMATION CONTAINED IN THIS DRAWING IS THE SOLE PROPERTY OF BRAH ELECTRIC. ANY REPRODUCTION IN PART OR AS A WHOLE WITHOUT THE WRITTEN PERMISSION OF BRAH ELECTRIC IS PROHIBITED.</p> | | | <p>MATERIAL</p> <p>FINISH</p> <p>DO NOT SCALE DRAWING</p> |
| <p>SCALE: 1:1</p> | | <p>SIZE A</p> | <p>DWG. NO. BE-TR16S800</p> | <p>REV. A</p> |
| | | <p>WEIGHT: 3.2 LBS</p> | <p>SHEET 1 OF 1</p> | |