



CONTACT US @ 855-355-2724

E-Mail: [Sales@brahelectric.com](mailto:Sales@brahelectric.com)

[www.Brahelectric.com](http://www.Brahelectric.com)

## PRODUCT DATA SHEET

---



Shunt Trips

Picture is for reference only,  
Actual Kit may vary slightly

### **PART NUMBER- BE-TSST10R:**

BE-TSST10R, General Electric, Power Break I, type TSST, shunt trip, 125V, right pole mounted, 2500 amp – 4000 amp insulated case frame, suitable for use with TPS, THS, TPSS, THSS circuit breaker frame types, direct Substitute shunt trip for General Electric OEM TSST10R.

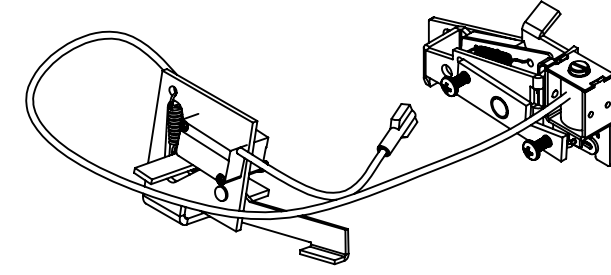
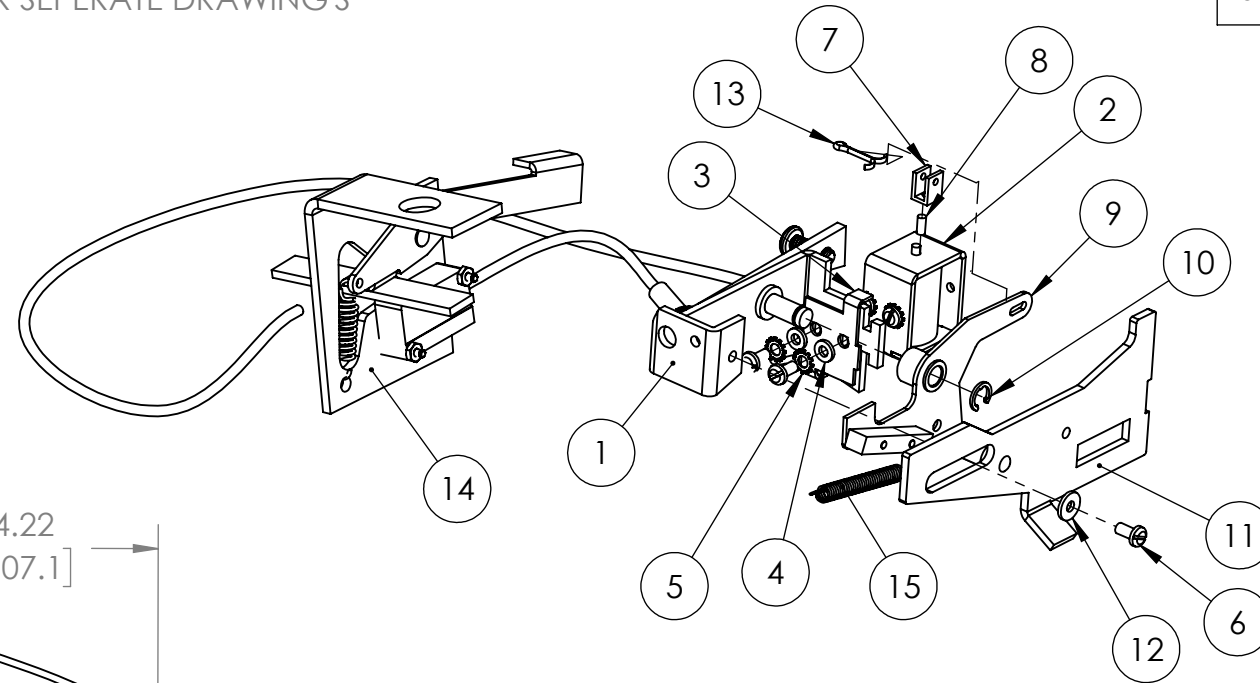
### **PRODUCT SPECIFICATIONS**

Manufacturer	BRAH Electric
Sub-Category	Shunt Trips
Family	Power Break I
Type	TSST
Type For	TPS, THS, TPSS, THSS
OEM Manufacturer	General Electric
OEM Part Number	TSST10R
Control Voltage Min	125
Control Voltage Max	125
Amperage Max	4000

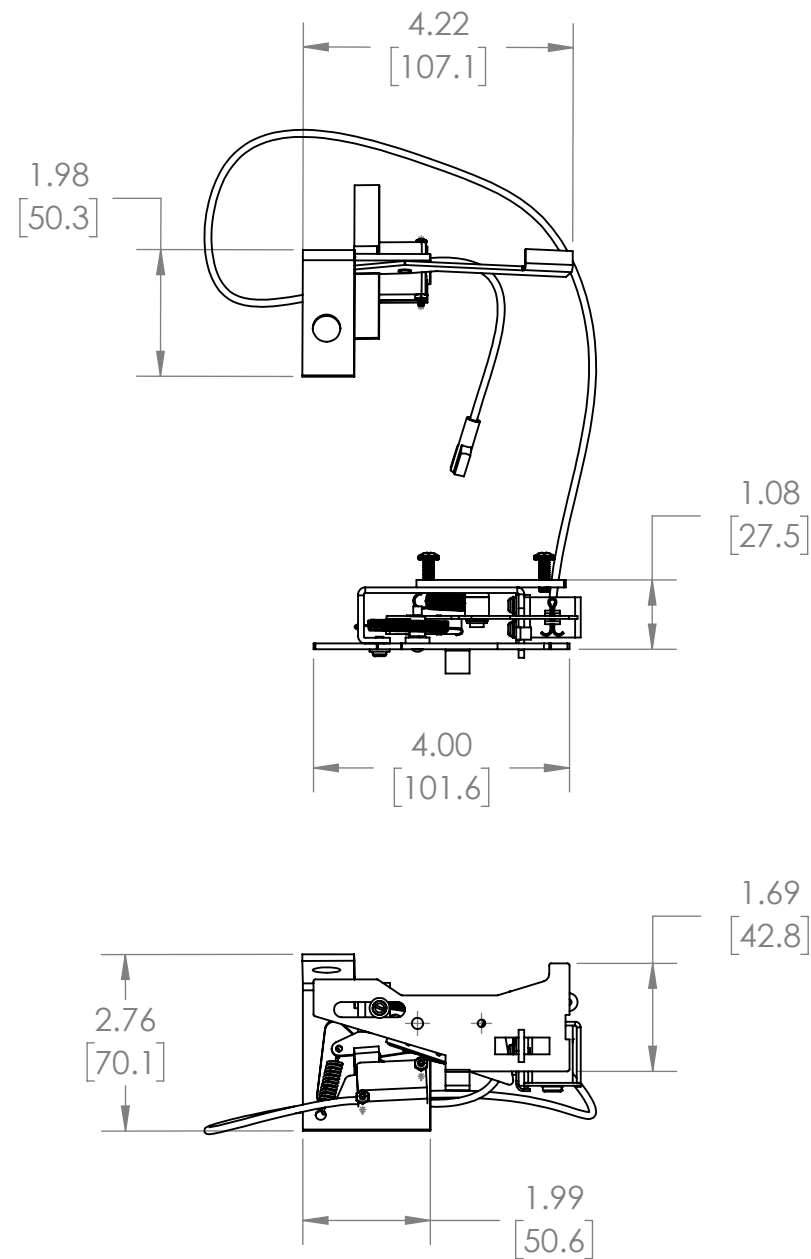
**Warranty:** All Products sold by BRAH Electric are guaranteed to be free of defect for a period of two years, under the condition that the product has been installed and operated properly. All items proven defective within the one year period will be replaced by BRAH Electric. In the event that we cannot provide a direct replacement, your monies will be refunded in full. We are not responsible for any consequential losses or damages outside of the defective product as well as any replacements or repairs performed by another party without our written authorization from BRAH Electric.

NOTE:  
FOR MATERIAL INFORMATION REFER SEPERATE DRAWING'S

REVISIONS				
ZONE	REV.	DESCRIPTION	DATE	APPROVED



ISO VIEW



ITEM NO.	PART NUMBER	QTY.
1	102051-101_SUPPORT BRACKET_ PLATE	1
2	SOLENOID ASSEMBLY	1
3	102051-004_SUPPORT BRACKET SOLENOID	1
4	FLAT WASHER M3	2
5	B18.21.2M-External Tooth Lock Washers_AM3	2
6	ISO 1580 - M3 x 6 --- 6N	3
7	102070-013_BLOCK	1
8	102070-014_PIN	1
9	102070-105_MIDDLE PLATE ASSEMBLY	1
10	102070-015_CIRC CLIP	1
11	102051-102_SUPPORT BRACKET _ RIVET	1
12	ISO 10669-3-N	1
13	102070-012_DOWEL PIN	1
14	102070-104_L- SUPPORT _ CONTROLLER ASSEMBLY	1
15	TENSION SPRING	1
16	3114T45	1
17	BE-TSST10R	1
18	Wire	1
19	90272A194	2

<p>THIRD ANGLE PROJECTION</p>	UNLESS OTHERWISE SPECIFIED:	NAME	DATE	
	<p>DIMENSIONS ARE IN MM TOLERANCES: ANGULAR: MACH ± .5 DEG. WHOLE NUMBER ± .5 ONE PLACE DECIMAL ± .25 TWO PLACE DECIMAL ± .13</p>	DRAWN		
<p><b>PROPRIETARY AND CONFIDENTIAL</b> THE INFORMATION CONTAINED IN THIS DRAWING IS THE SOLE PROPERTY OF BRAH ELECTRIC, LLC. ANY REPRODUCTION IN PART OR AS A WHOLE WITHOUT THE WRITTEN PERMISSION OF BRAH ELECTRIC, LLC IS PROHIBITED.</p>	INTERPRET GEOMETRIC TOLERANCING PER: ASME Y14.5M-1994	ENG APPR.		SIZE DWG. NO. REV
	MATERIAL REFER TABLE	Q.A.		<b>B</b> 102051 01
FINISH	DO NOT SCALE DRAWING	MFG APPR.		SCALE: 1:1 WEIGHT: SHEET 1 OF 1
		COMMENTS:		