



CONTACT US @ 855-355-2724

E-Mail: Sales@brahelectric.com

www.Brahelectric.com

PRODUCT DATA SHEET



Shunt Trips

Picture is for reference only,
Actual Kit may vary slightly

PART NUMBER- BE-TSST12L:

BE-TSST12L, General Electric, Power Break I, type TSST, shunt trip, 120/240V, left pole mounted, 2500 amp – 4000 amp insulated case frame, suitable for use with TPS, THS, TPSS, THSS circuit breaker frame types, direct Substitute shunt trip for General Electric OEM TSST12L.

PRODUCT SPECIFICATIONS

Manufacturer	BRAH Electric
Sub-Category	Shunt Trips
Family	Power Break I
Type	TSST
Type For	TPS, THS, TPSS, THSS
OEM Manufacturer	General Electric
OEM Part Number	TSST12L
Control Voltage Min	120
Control Voltage Max	240
Amperage Max	4000

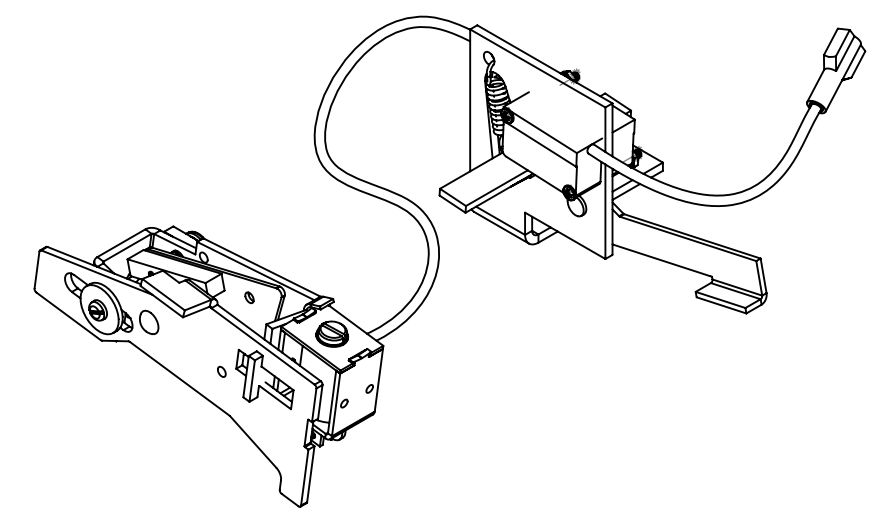
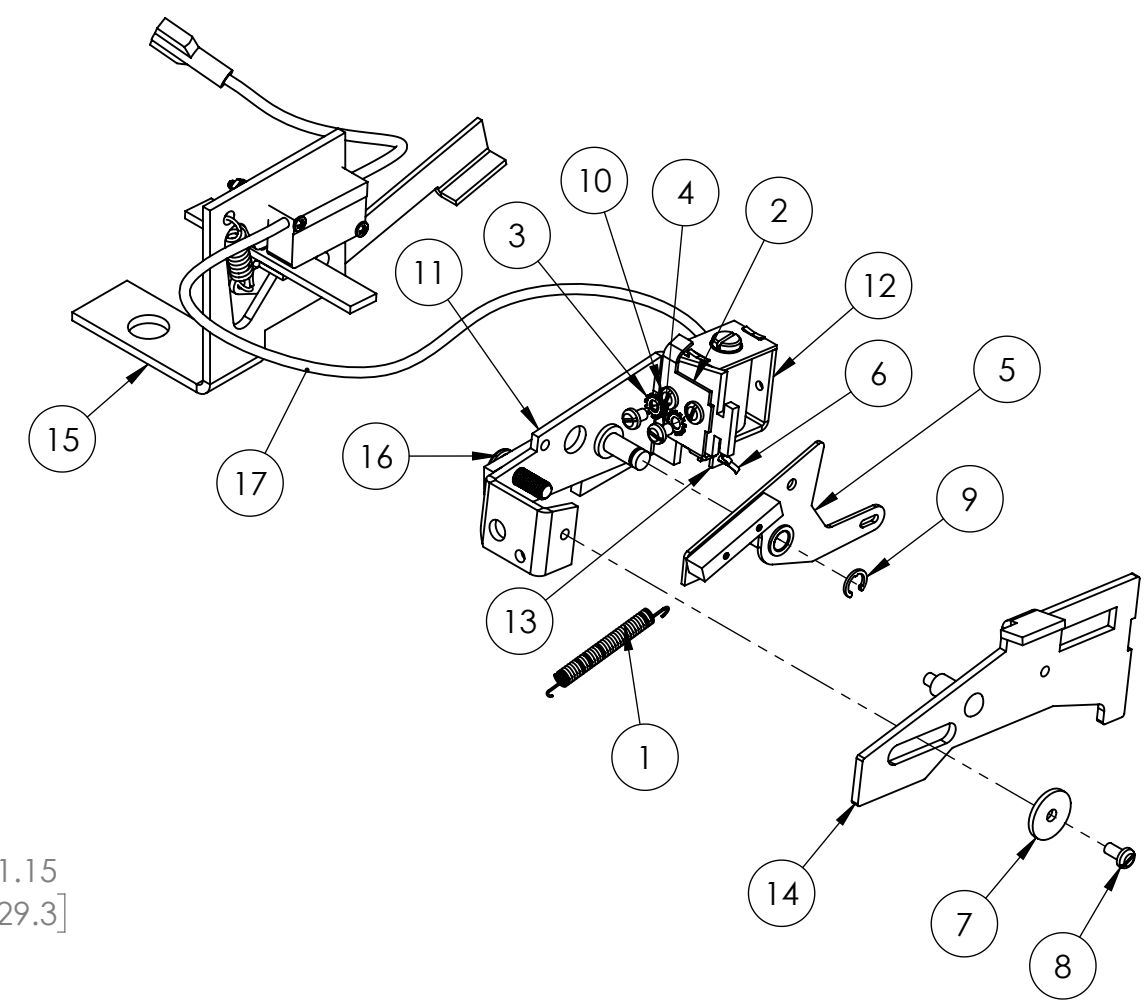
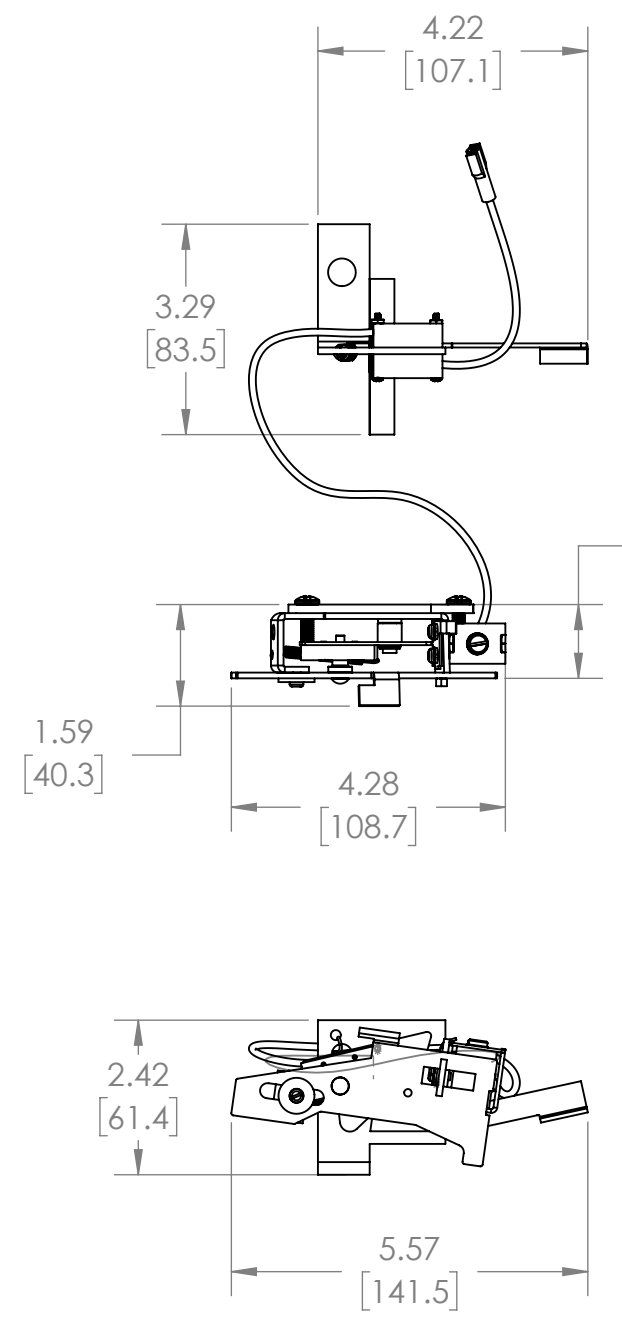
Warranty: All Products sold by BRAH Electric are guaranteed to be free of defect for a period of two years, under the condition that the product has been installed and operated properly. All items proven defective within the one year period will be replaced by BRAH Electric. In the event that we cannot provide a direct replacement, your monies will be refunded in full. We are not responsible for any consequential losses or damages outside of the defective product as well as any replacements or repairs performed by another party without our written authorization from BRAH Electric.

NOTES:
FOR MATERIAL INFORMATION SEE SEPERATE DRAWING

REVISIONS				
ZONE	REV.	DESCRIPTION	DATE	APPROVED

D
C
B
A

D
C
B
A



ITEM NO.	PART NUMBER_DESCRIPTION	QTY.
1	TENSION SPRING	1
2	102050-004_SUPPORT BRACKET SOLENOID	1
3	GEAR WASHERS M3	2
4	SCREW M3 x 0.5	4
5	102070-101_MIDDLE PLATE ASSEMBLY	1
6	102070-012_DOWEL PIN	1
7	102070-011_WASHER	1
9	102070-015_CIRC CLIP	1
10	FLAT WASHER M3	2
11	102050-101_SUPPORT BRACKET _ PLATE ASSEMBLY	1
12	SOLENOID ASSEMBLY	1
13	102070-102_BLOCK _ PIN	1
14	102050-102_SUPPORT BRACKET _ RIVET ASSEMBLY	1
15	102070-104_L- SUPPORT _ CONTROLLER ASSEMBLY	1
16	90272A830_ZINC-PLTD STL PAN HEAD PHILLIPS MACHINE SCREW	2
17	cable	1

<p>THIRD ANGLE PROJECTION</p>	<p>UNLESS OTHERWISE SPECIFIED:</p> <p>DIMENSIONS ARE IN MM TOLERANCES: ANGULAR: MACH ± .5 DEG. WHOLE NUMBER ± .5 ONE PLACE DECIMAL ± .25 TWO PLACE DECIMAL ± .13</p>	<table border="1"> <tr><td>NAME</td><td>DATE</td></tr> <tr><td>DRAWN</td><td></td></tr> <tr><td>CHECKED</td><td></td></tr> <tr><td>ENG APPR.</td><td></td></tr> <tr><td>MFG APPR.</td><td></td></tr> <tr><td>Q.A.</td><td></td></tr> </table>	NAME	DATE	DRAWN		CHECKED		ENG APPR.		MFG APPR.		Q.A.		<p>TITLE: BE-TSST12L</p>
	NAME	DATE													
DRAWN															
CHECKED															
ENG APPR.															
MFG APPR.															
Q.A.															
<p>PROPRIETARY AND CONFIDENTIAL THE INFORMATION CONTAINED IN THIS DRAWING IS THE SOLE PROPERTY OF BRAH ELECTRIC, LLC. ANY REPRODUCTION IN PART OR AS A WHOLE WITHOUT THE WRITTEN PERMISSION OF BRAH ELECTRIC, LLC IS PROHIBITED.</p>	<p>INTERPRET GEOMETRIC TOLERANCING PER: ASME Y14.5M-1994</p> <p>MATERIAL REFER TABLE</p> <p>FINISH -</p> <p>DO NOT SCALE DRAWING</p>	<table border="1"> <tr> <td>SIZE</td> <td>DWG. NO.</td> <td>REV</td> </tr> <tr> <td>B</td> <td>102050</td> <td>01</td> </tr> </table>	SIZE	DWG. NO.	REV	B	102050	01							
SIZE	DWG. NO.	REV													
B	102050	01													
SCALE: 1:2		WEIGHT:	SHEET 1 OF 1												

8 7 6 5 4 3 2 1