



CONTACT US @ 855-355-2724

E-Mail: [Sales@brahelectric.com](mailto:Sales@brahelectric.com)

[www.Brahelectric.com](http://www.Brahelectric.com)

## PRODUCT DATA SHEET



Bus Plugs

Picture is for reference only,  
Actual Kit may vary slightly

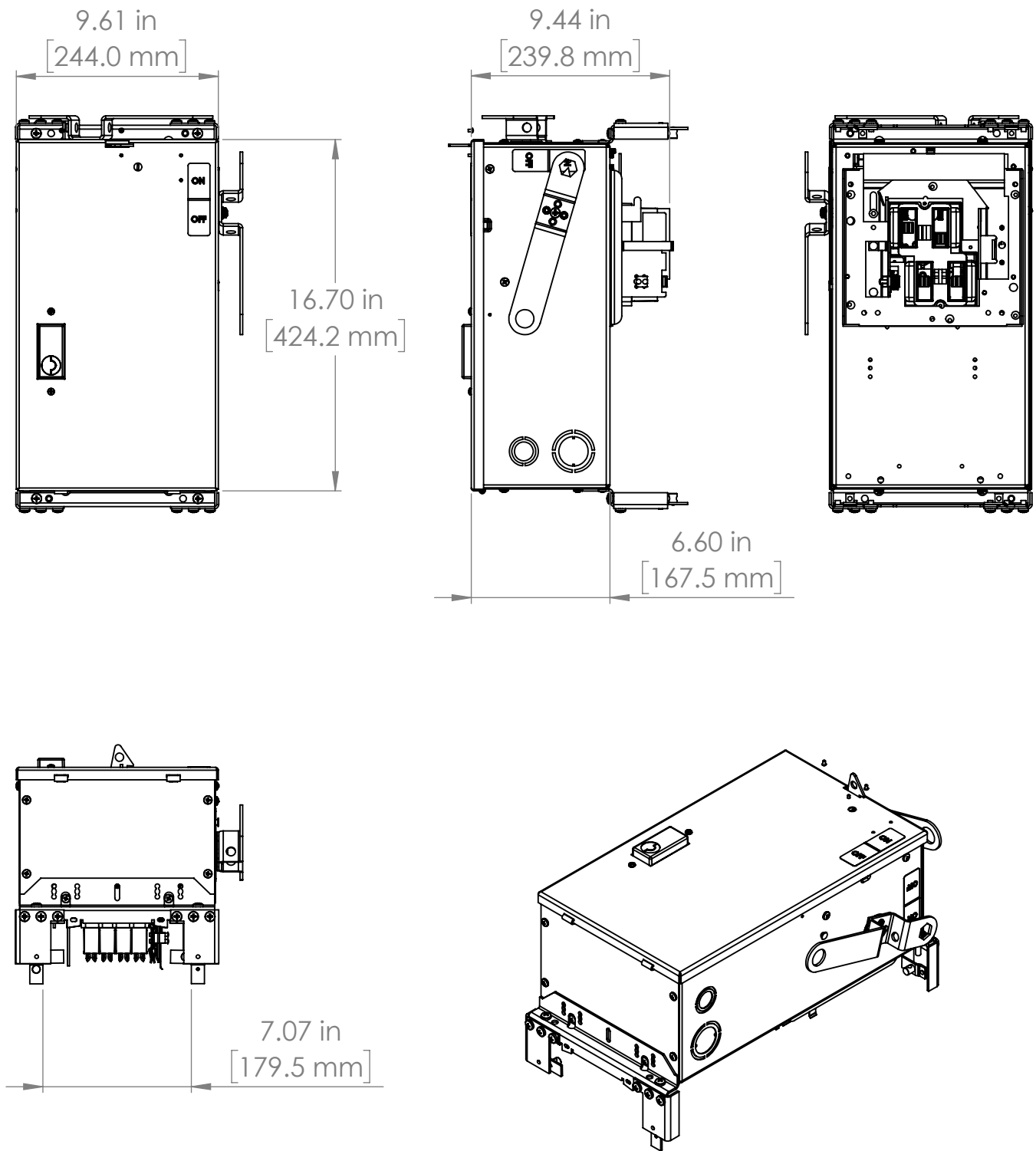
### **PART NUMBER – BEC3610GW:**

BRAH Electric aftermarket AC363RGI, 100 amp, 600 volt, 3 phase, 3 wire, with ground, fusible style bus plug, includes weather stripping for drip protection, type BEC / AC, UL Listed assembly, complete with UL Recognized internal switch and components, suitable for use with OEM General Electric / ABB Armor Clad industrial busway systems, accepts Class H, R and J fuse types, direct substitute, fit and function for GE OEM AC363RGI, AC363RGRI, AC363RGJI, AC1363RGI, AC1363RGJI

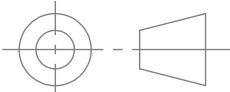

### **PRODUCT SPECIFICATIONS**

|              |               |
|--------------|---------------|
| Manufacturer | BRAH Electric |
| Sub-Category | Fusible       |
| Type         | AC, BEC       |
| Family       | Armor Clad    |
| Wire         | 3             |
| Voltage      | 600           |
| Amperage     | 100           |
| Suit Fuse    | H, R          |
| A/C Rating   | 200ka@480V    |
| Phase        | 3             |

**Warranty:** All Products sold by BRAH Electric are guaranteed to be free of defect for a period of two years, under the condition that the product has been installed and operated properly. All items proven defective within the one year period will be replaced by BRAH Electric. In the event that we cannot provide a direct replacement, your monies will be refunded in full. We are not responsible for any consequential losses or damages outside of the defective product as well as any replacements or repairs performed by another party without our written authorization from BRAH Electric.



\* NOTE: BRAH Electric aftermarket AC363RGI, 100amp, 600volt, 3 phase, 3 wire,with ground, fusible style bus plug, includes weather stripping for drip protection, type BEC / AC, UL Listed assembly,complete with UL Recognized internal switch and components.

|   |   |              |   |                           |
|---|---|--------------|---|---------------------------|
| <br>THIRD ANGLE PROJECTION | UNLESS OTHERWISE NOTED<br>ALL DIMENSIONS ARE IN INCHES<br>METRIC UNITS ARE DISPLAYED<br>BENEATH IN [ MM. ]  |              |  |                           |
|   | <b>PROPRIETARY AND CONFIDENTIAL</b><br>THE INFORMATION CONTAINED IN THIS DRAWING IS THE SOLE PROPERTY OF BRAH ELECTRIC. ANY REPRODUCTION IN PART OR AS A WHOLE WITHOUT THE WRITTEN PERMISSION OF BRAH ELECTRIC IS PROHIBITED. |              |   |                           |
| MATERIAL  |   | FINISH       |   | SIZE <b>A</b>             |
| DO NOT SCALE DRAWING  |   | N/A          |   | DWG. NO. <b>BEC3610GW</b> |
|   |   | SCALE:1:10   |   | WEIGHT:                   |
|   |   | SHEET 1 OF 1 |   | REV. <b>A</b>             |