



CONTACT US @ 855-355-2724  
 E-Mail: [Sales@brahelectric.com](mailto:Sales@brahelectric.com)  
[www.Brahelectric.com](http://www.Brahelectric.com)

## PRODUCT DATA SHEET



Contactors  
 Picture is for reference only,  
 Actual Kit may vary slightly

### Contactor voltage selection chart BEH-175-XX

|                 |        |
|-----------------|--------|
| BEH-175         | 120VAC |
| BEH-175-30-22   | 120VAC |
| BEH-175-30-22AA | 24VAC  |
| BEH-175-30-22AK | 240VAC |
| BEH-175-30-22AS | 480VAC |

### **PART NUMBER-BEH-175-30-22AK:**

BRAH Electric, direct replacement, after market conversion kit for ABB 185 amp, 600 volt, 3 pole, complete with 240VAC control coil, 2 normally open, 2 normally closed auxiliary contacts, suitable for use with ABB EH Series type EH, direct substitute contactor for ABB OEM EH-175

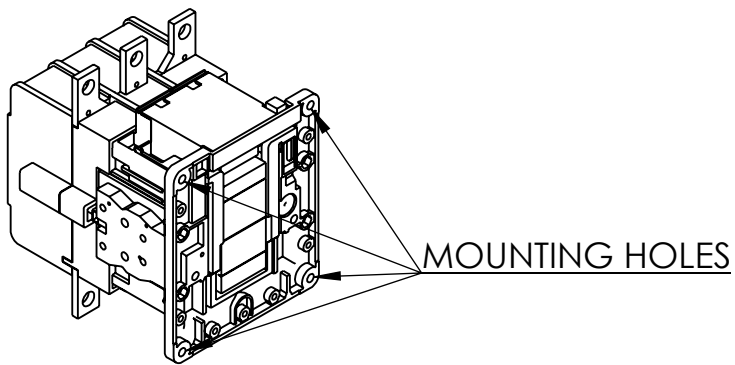
### **PRODUCT SPECIFICATIONS**

|              |               |
|--------------|---------------|
| Manufacturer | BRAH Electric |
| Sub-Category | Contactor     |
| Family       | EH Series     |
| Type         | EH, BEH       |
| Suitable For | EH            |
| Voltage      | 600           |
| Amperage     | 185           |
| Poles        | 3             |
| Phase        | 3             |
| Horse Power  | 125           |
| Frequency    | 50/60 Hz      |

**Warranty:** All Products sold by BRAH Electric are guaranteed to be free of defect for a period of two years, under the condition that the product has been installed and operated properly. All items proven defective within the one year period will be replaced by BRAH Electric. In the event that we cannot provide a direct replacement, your monies will be refunded in full. We are not responsible for any consequential losses or damages outside of the defective product as well as any replacements or repairs performed by another party without our written authorization from BRAH Electric.

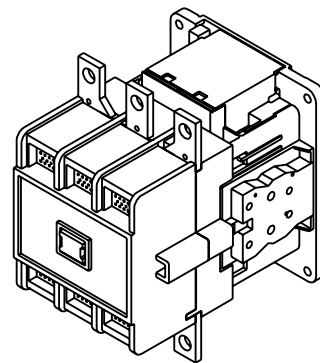
REVISIONS

| ZONE | REV. | DESCRIPTION | DATE | APPROVED |
|------|------|-------------|------|----------|
|------|------|-------------|------|----------|

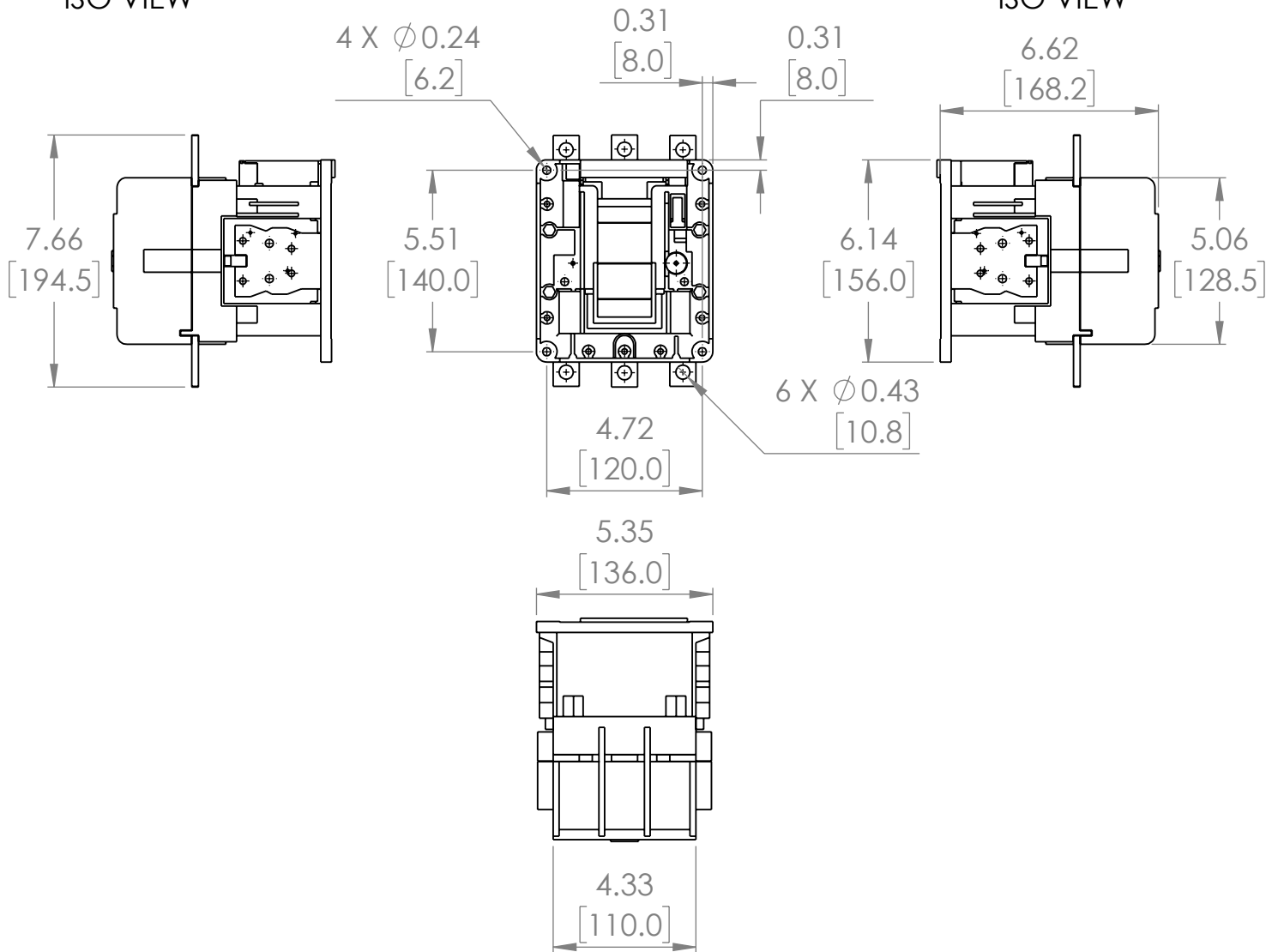


MOUNTING HOLES

ISO VIEW



ISO VIEW



\*NOTE: BRAH ELECTRIC CONTACTOR BEH-175-30-22AK IS AN AFTERMARKET DIRECT REPLACEMENT FOR ABB EH-175-30-22AK, EH SERIES. SUITABLE FOR USE WITH EH SERIES MOTOR CONTROL SYSTEMS

|   |  |  |
|---|--|--|
| <p>THIRD ANGLE PROJECTION</p>   | <p>UNLESS OTHERWISE NOTED</p> <p>ALL DIMENSIONS ARE IN INCHES<br/>METRIC UNITS ARE DISPLAYED<br/>BENEATH IN [ MM. ]</p>  |  |
|   | <p><b>PROPRIETARY AND CONFIDENTIAL</b></p> <p>THE INFORMATION CONTAINED IN THIS DRAWING IS THE SOLE PROPERTY OF BRAH ELECTRIC. ANY REPRODUCTION IN PART OR AS A WHOLE WITHOUT THE WRITTEN PERMISSION OF BRAH ELECTRIC IS PROHIBITED.</p> |  |
| <p>MATERIAL<br/>MOLDED PLASTIC CASE</p> <p>FINISH<br/>N/A</p> <p>DO NOT SCALE DRAWING</p> | <p>SIZE <b>A</b> DWG. NO. <b>BEH-175-30-22AK</b> REV. <b>A</b></p> <p>SCALE: 1:5 WEIGHT: 3.2 LBS SHEET 1 OF 1</p>  |  |