

PRODUCT DATA SHEET



PART NUMBER - BEH-300-30-22AK: BRAH Electric, aftermarket direct replacement contactors for ABB EH-300-30-22AK, EH Series, type EH, 3P, 3PH, 305A, 600V, 100HP @ 240V, 250HP @ 480V, 250HP @ 600V, complete with 240V AC coil, 2 N/O - 2 N/C auxiliary contact, AC magnetic contactor, suitable for use with EH series motor control systems

PRODUCT SPECIFICATIONS

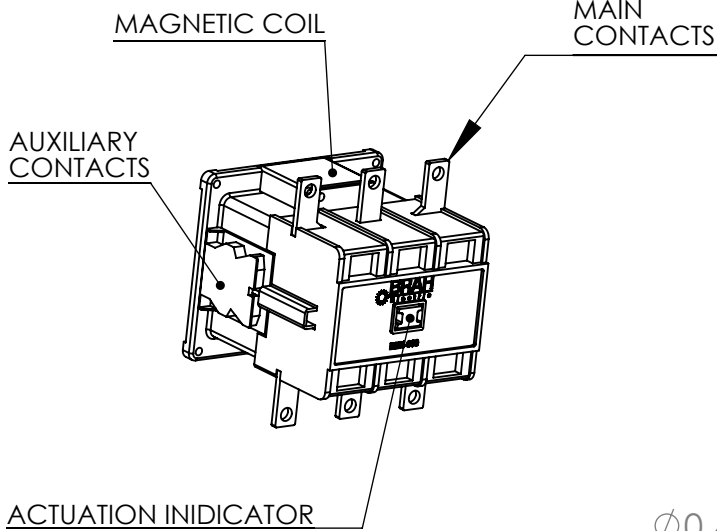
MAGNETIC CONTACTOR
PART NO. BEH-300-30-22AK

<i>TYPE</i>	<i>VALUE (UNITS)</i>	<i>NOTES</i>	<i>COMMENTS</i>
PHASE	3		
POLES	3		
VOLTAGE	600 (VAC)		
AMPERAGE	305 (A)		
COIL VOLTAGE MIN	240 (V)		
COIL VOLTAGE MAX	240 (V)		
MIN HP. RATING	100 (HP)	@ 240V	
MAX HP RATING	250 (HP)	@ 600V	
RATED POWER	200 KW	@ U _i = 1000 (V)	
AUXILIARY CONTACTS	Auxiliary contacts configurable upon request		
MOUNTING HARDWARE	Associated Mounting Hardware Included (Please note, not all contactors include hardware, Typically only larger models)		

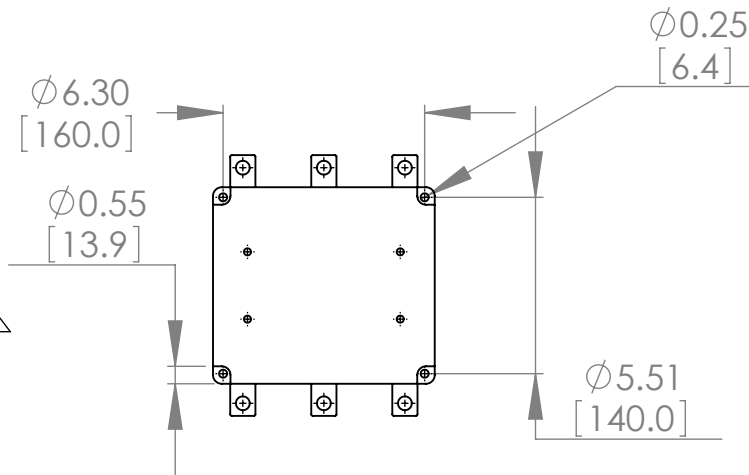
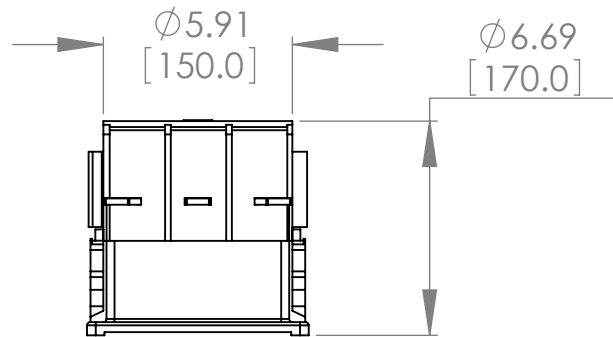
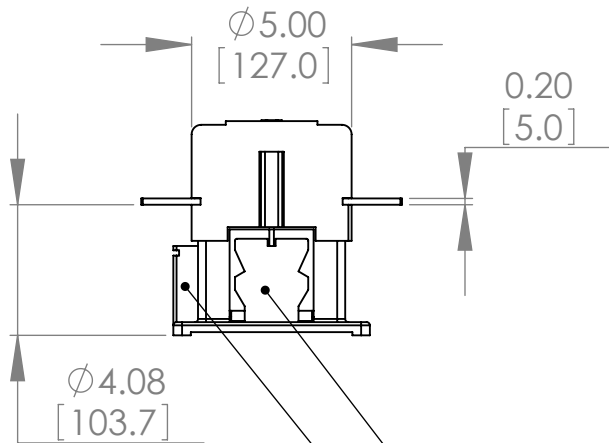
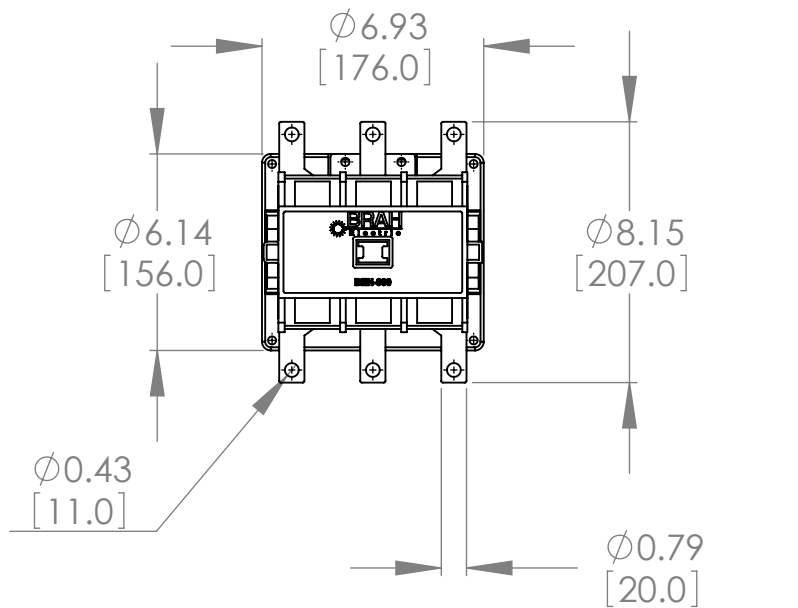
ADDITIONAL INFORMATION:

- * Interchangeable Coils with multiple coil voltages available; (24V, 48V, 120V, 208V, 240V, 277V, 380V, 480V, 600V)
- * Auxiliary contacts are arrange with screw type terminals
- * We use fine quality silver for our contacts, containing 95% silver content

Warranty: All Products sold by BRAH Electric are guaranteed to be free of defect for a period of one year, under the condition that the product has been installed and operated properly. All items proven defective within the one year period will be replaced by BRAH Electric. In the event that we cannot provide a direct replacement, your monies will be refunded in full. We are not responsible for any consequential losses or damages outside of the defective product as well as any replacements or repairs performed by another party without our written authorization from BRAH Electric



REVISIONS				
ZONE	REV.	DESCRIPTION	DATE	APPROVED

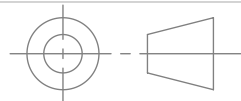


MAGNETIC COIL IS AVAILABLE IN A VARIETY OF CONTROL VOLTAGES

LOCATED ON BOTH SIDES: INTERCHANGABLE AUXILIARY CONTACTS ARE ARRANGED WITH SCREW TYPE TERMINALS WITH MULTIPLE AUXILIARY CONFIGURATIONS AVAILABLE

WWW.BRAHELECTRIC.COM, 855-355-2724

* NOTE: THIS BRAH ELECTRIC CONTACTOR BEH-300-30-22AK IS AN AFTERMARKET DIRECT REPLACEMENT FOR ABB EH-300-30-22AK, EH SERIES. SUITABLE FOR USE WITH EH SERIES MOTOR CONTROL SYSTEMS



THIRD ANGLE PROJECTION

PROPRIETARY AND CONFIDENTIAL

THE INFORMATION CONTAINED IN THIS DRAWING IS THE SOLE PROPERTY OF BRAH ELECTRIC. ANY REPRODUCTION IN PART OR AS A WHOLE WITHOUT THE WRITTEN PERMISSION OF BRAH ELECTRIC IS PROHIBITED.

UNLESS OTHERWISE NOTED

ALL DIMENSIONS ARE IN INCHES
METRIC UNITS ARE DISPLAYED
BENEATH IN [MM.]

MATERIAL
MOLDED PLASTIC CASE

FINISH
N/A

DO NOT SCALE DRAWING



MAGNETIC CONTACTOR

SIZE A	DWG. NO. BEH-300-30-22AK	REV. A
SCALE: 1:6	WEIGHT: 3.2 LBS	SHEET 1 OF 1