

PRODUCT DATA SHEET



PART NUMBER - BEH-550-30-22AK: BRAH Electric, aftermarket direct replacement contactors for ABB EH-550-30-22AK, EH Series, type EH, 3P, 3PH, 550A, 600V, 200HP @ 240V, 400HP @ 480V, 500HP @ 600V, complete with 240V AC coil, 2 N/O - 2 N/C auxiliary contact, AC magnetic contactor, suitable for use with EH series motor control systems

PRODUCT SPECIFICATIONS

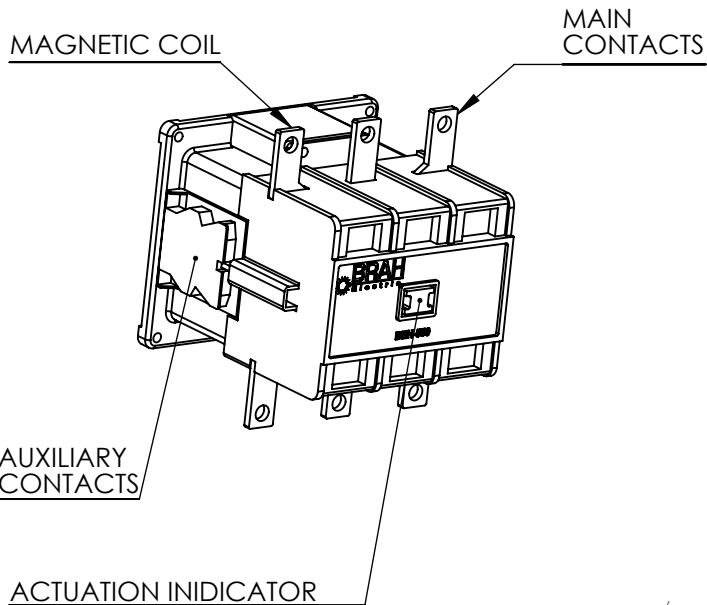
MAGNETIC CONTACTOR
PART NO. BEH-550-30-22AK

<i>TYPE</i>	<i>VALUE (UNITS)</i>	<i>NOTES</i>	<i>COMMENTS</i>
<i>PHASE</i>	3		
<i>POLES</i>	3		
<i>VOLTAGE</i>	600 (VAC)		
<i>AMPERAGE</i>	550 (A)		
<i>COIL VOLTAGE MIN</i>	240 (V)		
<i>COIL VOLTAGE MAX</i>	240 (V)		
<i>MIN HP. RATING</i>	200 (HP)	@ 240V	
<i>MAX HP RATING</i>	500 (HP)	@ 600V	

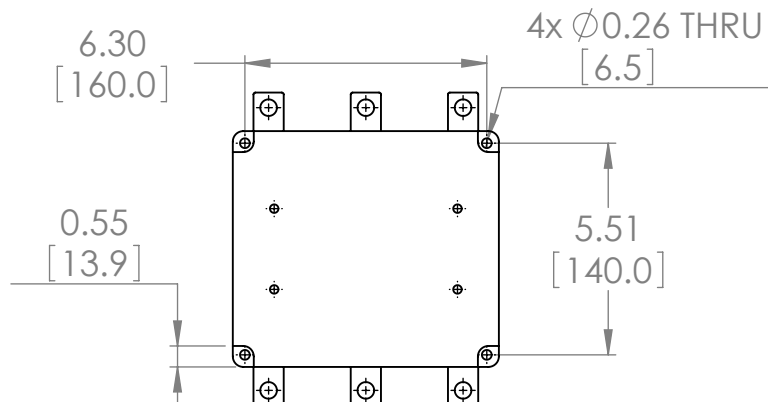
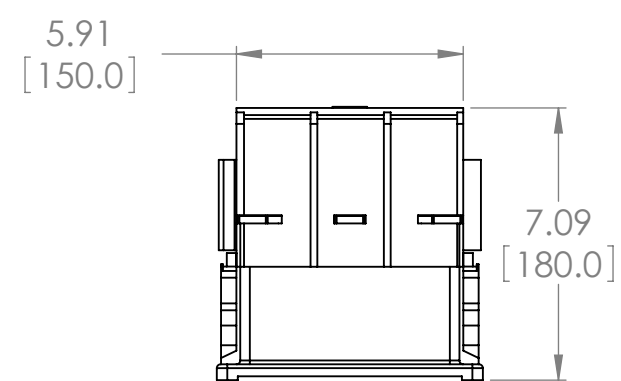
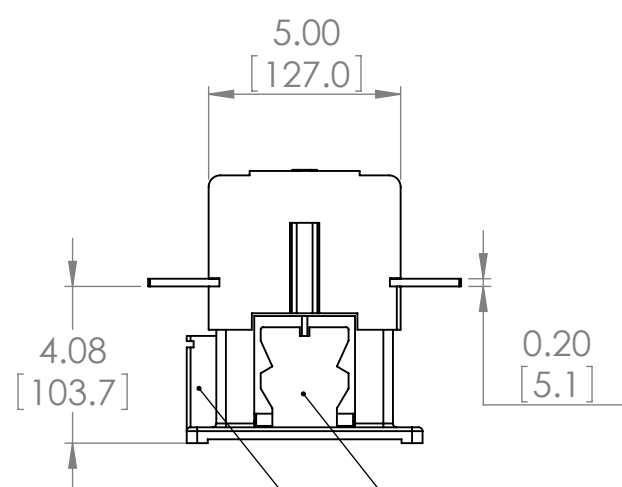
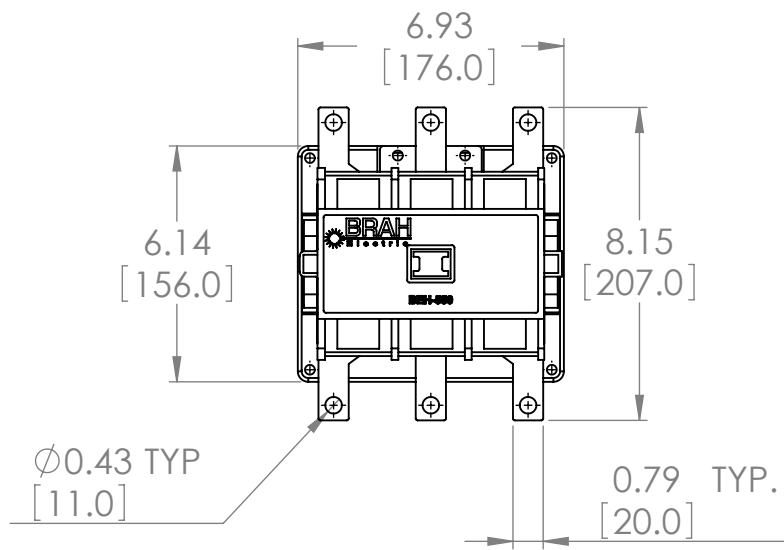
ADDITIONAL INFORMATION:

- * Interchangeable Coils with multiple coil voltages available; (24V, 48V, 120V, 208V, 240V, 277V, 380V, 480V, 600V)
- * Auxiliary contacts are arranged with screw type terminals
- * We use fine quality silver for our contacts, containing 95% silver content

Warranty: All Products sold by BRAH Electric are guaranteed to be free of defect for a period of one year, under the condition that the product has been installed and operated properly. All items proven defective within the one year period will be replaced by BRAH Electric. In the event that we cannot provide a direct replacement, your monies will be refunded in full. We are not responsible for any consequential losses or damages outside of the defective product as well as any replacements or repairs performed by another party without our written authorization from BRAH Electric



REVISIONS				
ZONE	REV.	DESCRIPTION	DATE	APPROVED

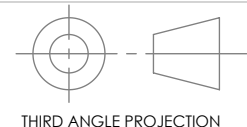


MAGNETIC COIL IS AVAILABLE IN A VARIETY OF CONTROL VOLTAGES

LOCATED ON BOTH SIDES: INTERCHANGABLE AUXILIARY CONTACTS ARE ARRANGED WITH SCREW TYPE TERMINALS WITH MULTIPLE AUXILIARY CONFIGURATIONS AVAILABLE

WWW.BRAHELECTRIC.COM, 855-355-2724

*NOTE: BRAH ELECTRIC CONTACTOR BEH-550-30-22AK IS AN AFTERMARKET DIRECT REPLACEMENT FOR ABB EH-550-30-22AK, EH SERIES. SUITABLE FOR USE WITH EH SERIES MOTOR CONTROL SYSTEMS



PROPRIETARY AND CONFIDENTIAL
 THE INFORMATION CONTAINED IN THIS DRAWING IS THE SOLE PROPERTY OF BRAH ELECTRIC. ANY REPRODUCTION IN PART OR AS A WHOLE WITHOUT THE WRITTEN PERMISSION OF BRAH ELECTRIC IS PROHIBITED.

UNLESS OTHERWISE NOTED
 ALL DIMENSIONS ARE IN INCHES
 METRIC UNITS ARE DISPLAYED
 BENEATH IN [MM.]

MATERIAL
 MOLDED PLASTIC CASE

FINISH
 N/A

DO NOT SCALE DRAWING

BRAH
Electric

MAGNETIC CONTACTOR

SIZE A	DWG. NO. BEH-550-30-22AK	REV. A
SCALE: 1:5	WEIGHT: 3.2 LBS	SHEET 1 OF 1