

PRODUCT DATA SHEET



PART NUMBER - BEH-700-30-22AS: BRAH Electric, aftermarket direct replacement contactors for ABB EH-700-30-22AS, EH Series, type EH, 3P, 3PH, 700A, 600V, 300HP @ 240V, 550HP @ 480V, 650HP @ 600V, complete with 480V AC coil, 2 N/O - 2 N/C auxiliary contact, AC magnetic contactor, suitable for use with EH series motor control systems

PRODUCT SPECIFICATIONS

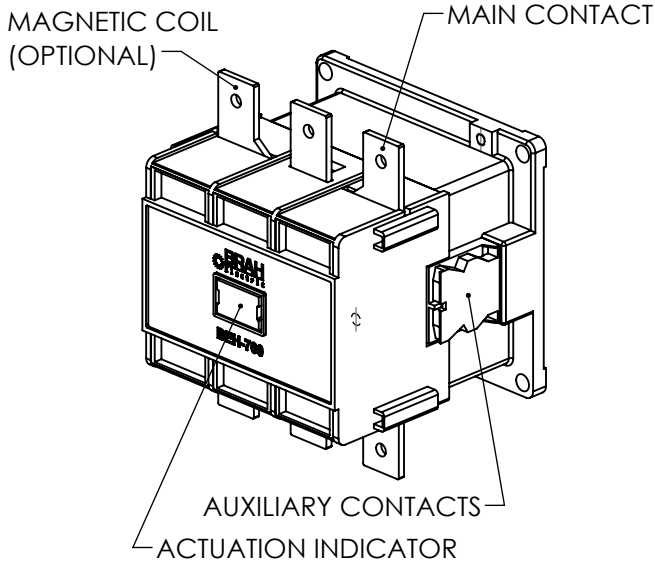
MAGNETIC CONTACTOR
 PART NO. BEH-700-30-22AS

| TYPE | VALUE (UNITS) | NOTES | COMMENTS |
|------------------|---------------|--------|----------|
| PHASE | 3 | | |
| POLES | 3 | | |
| VOLTAGE | 600 (VAC) | | |
| AMPERAGE | 700 (A) | | |
| COIL VOLTAGE MIN | 480 (V) | | |
| COIL VOLTAGE MAX | 480 (V) | | |
| MIN HP. RATING | 300 (HP) | @ 240V | |
| MAX HP RATING | 650 (HP) | @ 600V | |

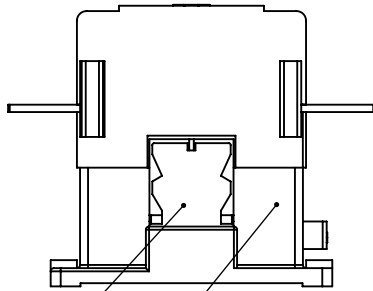
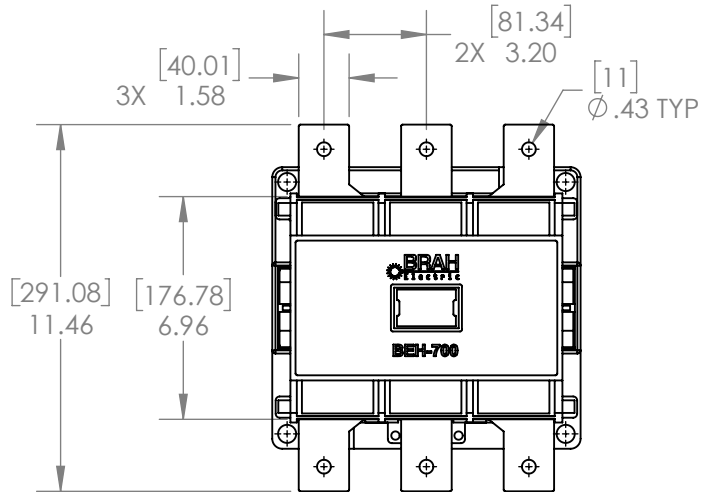
ADDITIONAL INFORMATION:

- * Interchangeable Coils with multiple coil voltages available; (24V, 48V, 120V, 208V, 240V, 277V, 380V, 480V, 600V)
- * Auxiliary contacts are arranged with screw type terminals
- * We use fine quality silver for our contacts, containing 95% silver content

Warranty: All Products sold by BRAH Electric are guaranteed to be free of defect for a period of one year, under the condition that the product has been installed and operated properly. All items proven defective within the one year period will be replaced by BRAH Electric. In the event that we cannot provide a direct replacement, your monies will be refunded in full. We are not responsible for any consequential losses or damages outside of the defective product as well as any replacements or repairs performed by another party without our written authorization from BRAH Electric

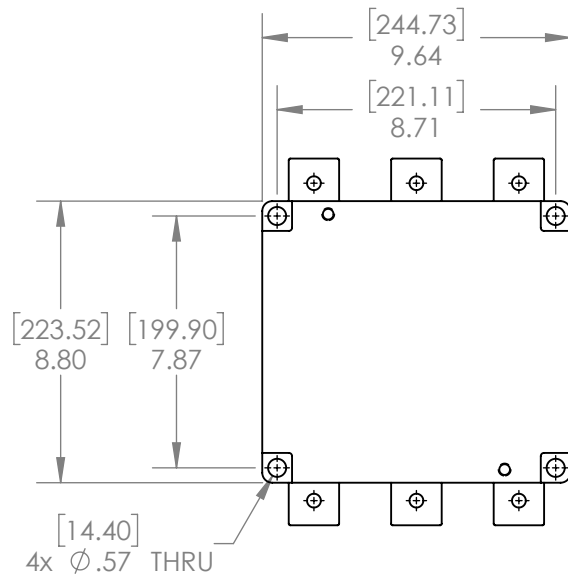
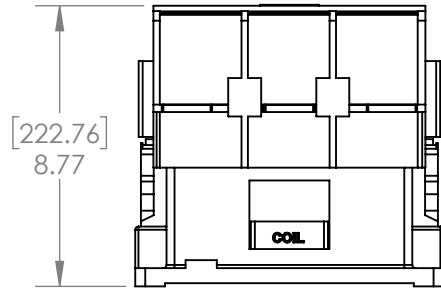


| REVISIONS | | | | |
|-----------|------|-------------|------|----------|
| ZONE | REV. | DESCRIPTION | DATE | APPROVED |



MAGNETIC COIL IS AVAILABLE IN A VARIETY OF CONTROL VOLTAGES

LOCATED ON BOTH SIDES. INTERCHANGEABLE AUXILIARY CONTACTS ARE ARRANGED WITH SCREW TYPE TERMINALS WITH MULTIPLE AUXILIARY CONFIGURATIONS AVAILABLE.



WWW.BRAHELECTRIC.COM, 855-355-2724

* NOTE: BRAH ELECTRIC CONTACTORS ARE A DIRECT REPLACEMENT FOR ABB EH-700-30-22AS, EH SERIES, TYPE BEH, 3P, 3PH, 700A, 600V, 300HP @ 240V, 550HP @ 480V, 650HP @ 600V, COMPLETE WITH 480V AC COIL, 2 N/O - 2 N/C AUXILIARY CONTACT, AC MAGNETIC CONTACTOR, SUITABLE FOR USE WITH EH SERIES MOTOR CONTROL SYSTEMS

THIRD ANGLE PROJECTION

PROPRIETARY AND CONFIDENTIAL

THE INFORMATION CONTAINED IN THIS DRAWING IS THE SOLE PROPERTY OF BRAH ELECTRIC. ANY REPRODUCTION IN PART OR AS A WHOLE WITHOUT THE WRITTEN PERMISSION OF BRAH ELECTRIC IS PROHIBITED.

UNLESS OTHERWISE NOTED

ALL DIMENSIONS ARE IN INCHES
METRIC UNITS ARE DISPLAYED
BENEATH IN [MM.]

| | |
|----------------------|---------------------|
| MATERIAL | MOLDED PLASTIC CASE |
| FINISH | N/A |
| DO NOT SCALE DRAWING | |

MAGNETIC CONTACTOR

| | | |
|------------|-----------------|--------------|
| SIZE | DWG. NO. | REV. |
| A | BEH-700-30-22AS | A |
| SCALE: 1:6 | WEIGHT: | SHEET 1 OF 1 |