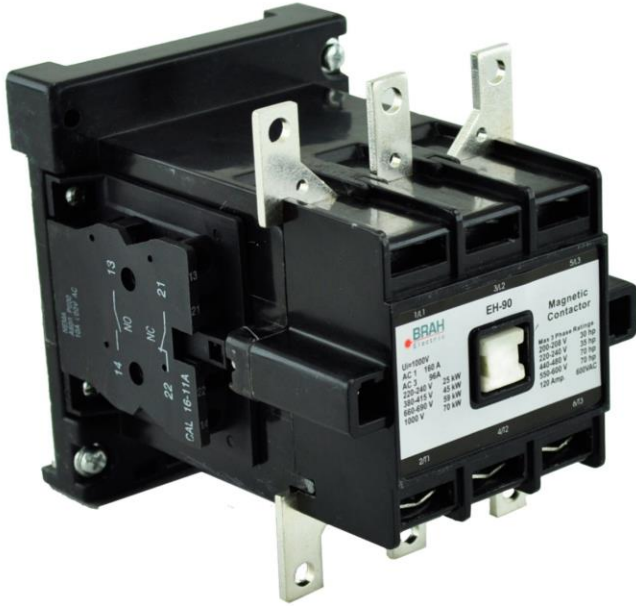


PRODUCT DATA SHEET



**PART NUMBER - BEH-80-30-22AS:** BRAH Electric, aftermarket direct replacement contactors for EH-80-30-22AS, EH Series, type EH, 3P, 3PH, 80A, 600V, 35HP @ 240V, 70HP @ 480V, 70HP @ 600V, complete with 480V AC coil, 2 N/O - 2 N/C auxiliary contacts, AC magnetic contactor, suitable for use with EH series motor control systems

**PRODUCT SPECIFICATIONS**

MAGNETIC CONTACTOR  
PART NO. BEH-80-30-22AS

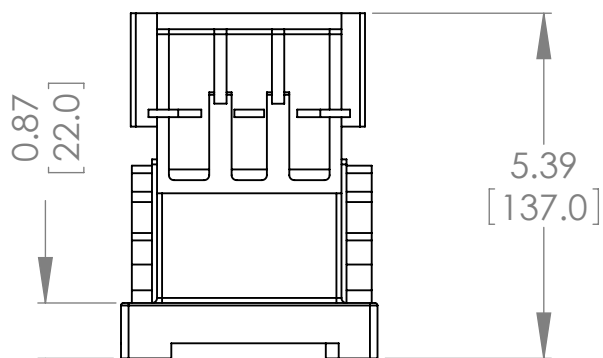
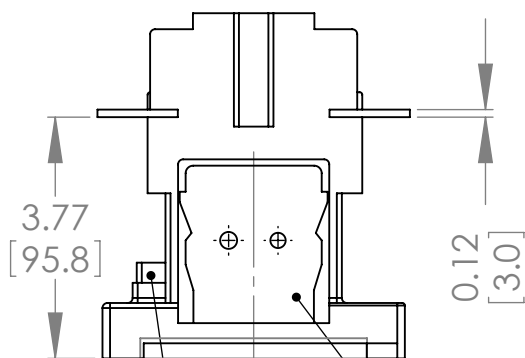
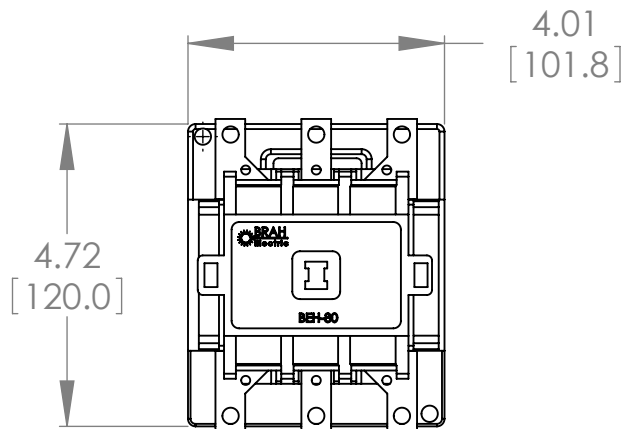
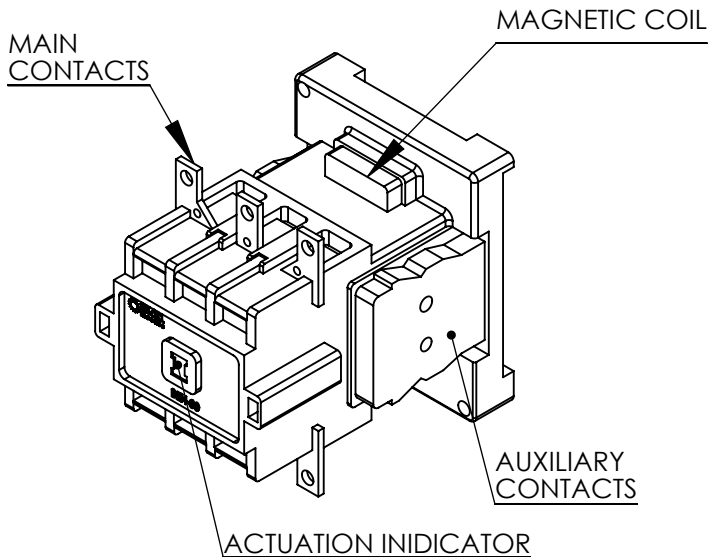
TYPE	VALUE (UNITS)	NOTES	COMMENTS
PHASE	3		
POLES	3		
VOLTAGE	600 (VAC)		
AMPERAGE	80 (A)		
COIL VOLTAGE MIN	480 (V)		
COIL VOLTAGE MAX	480 (V)		
MIN HP. RATING	35 (HP)	@ 240V	
MAX HP RATING	70 (HP)	@ 600V	
RATED POWER	70 KW	@ U <sub>i</sub> = 1000 (V)	
AUXILIARY CONTACTS	Auxiliary contacts configurable upon request		
MOUNTING HARDWARE	Associated Mounting Hardware Included (Please note, not all contactors include hardware, Typically only larger models )		

ADDITIONAL INFORMATION:

- \* Interchangeable Coils with multiple coil voltages available; (24V, 48V, 120V, 208V, 240V, 277V, 380V, 480V, 600V)
- \* Auxiliary contacts are arrange with screw type terminals
- \* We use fine quality silver for our contacts, containing 95% silver content

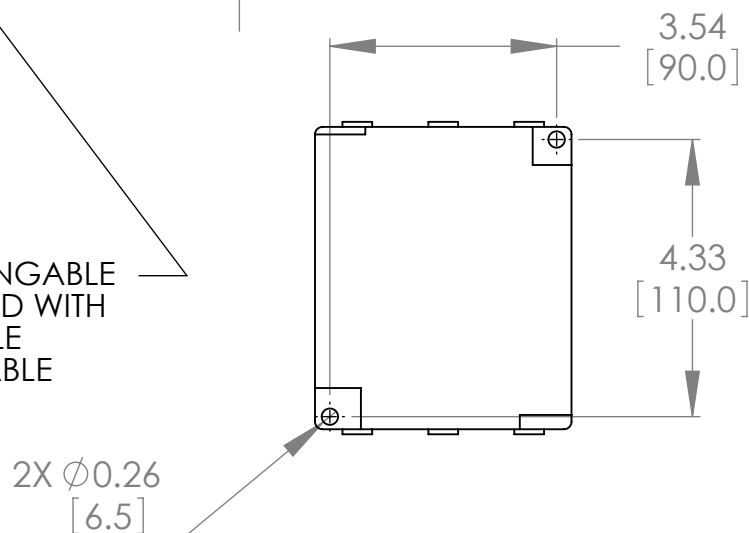
**Warranty:** All Products sold by BRAH Electric are guaranteed to be free of defect for a period of one year, under the condition that the product has been installed and operated properly. All items proven defective within the one year period will be replaced by BRAH Electric. In the event that we cannot provide a direct replacement, your monies will be refunded in full. We are not responsible for any consequential losses or damages outside of the defective product as well as any replacements or repairs performed by another party without our written authorization from BRAH Electric.

REVISIONS				
ZONE	REV.	DESCRIPTION	DATE	APPROVED



MAGNETIC COIL IS AVAILABLE IN A VARIETY OF CONTROL VOLTAGES

LOCATED ON BOTH SIDES: INTERCHANGABLE AUXILIARY CONTACTS ARE ARRANGED WITH SCREW TYPE TERMINALS WITH MULTIPLE AUXILIARY CONFIGURATIONS AVAILABLE



[WWW.BRAHELECTRIC.COM](http://WWW.BRAHELECTRIC.COM), 855-355-2724

\* NOTE: BRAH ELECTRIC CONTACTOR BEH-80-30-22AS IS AN AFTERMARKET DIRECT REPLACEMENT FOR ABB EH-80-30-22AS, EH SERIES. SUITABLE FOR USE WITH EH SERIES MOTOR CONTROL SYSTEMS

<p>THIRD ANGLE PROJECTION</p>	<p>UNLESS OTHERWISE NOTED</p> <p>ALL DIMENSIONS ARE IN INCHES METRIC UNITS ARE DISPLAYED BENEATH IN [ MM. ]</p>	<p><b>BRAH</b> Electric</p>
	<p><b>PROPRIETARY AND CONFIDENTIAL</b></p> <p>THE INFORMATION CONTAINED IN THIS DRAWING IS THE SOLE PROPERTY OF BRAH ELECTRIC. ANY REPRODUCTION IN PART OR AS A WHOLE WITHOUT THE WRITTEN PERMISSION OF BRAH ELECTRIC IS PROHIBITED.</p>	
<p>MATERIAL MOLDED PLASTIC CASE</p>	<p>FINISH N/A</p>	<p>SIZE <b>A</b> DWG. NO. <b>BEH-80-30-22AS</b> REV. <b>A</b></p>
<p>DO NOT SCALE DRAWING</p>	<p>SCALE: 1:3</p>	<p>WEIGHT: 3.2 LBS SHEET 1 OF 1</p>