



CONTACT US @ 855-355-2724

E-Mail: [Sales@brahelectric.com](mailto:Sales@brahelectric.com)

[www.Brahelectric.com](http://www.Brahelectric.com)

## PRODUCT DATA SHEET

---



### CONTACT KITS

Picture is for reference only,  
Actual Kit may vary slightly

### **PART NUMBER- BEHCK700-3:**

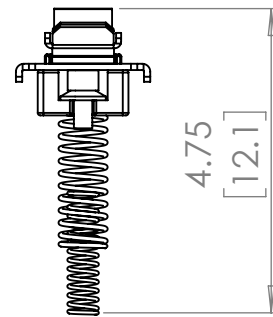
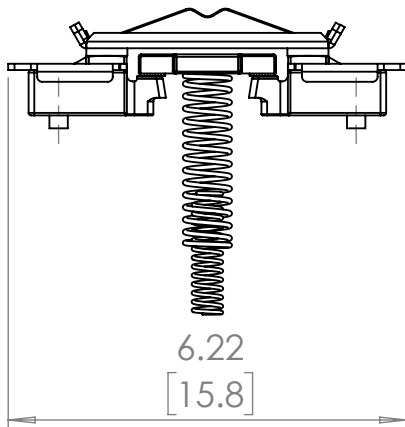
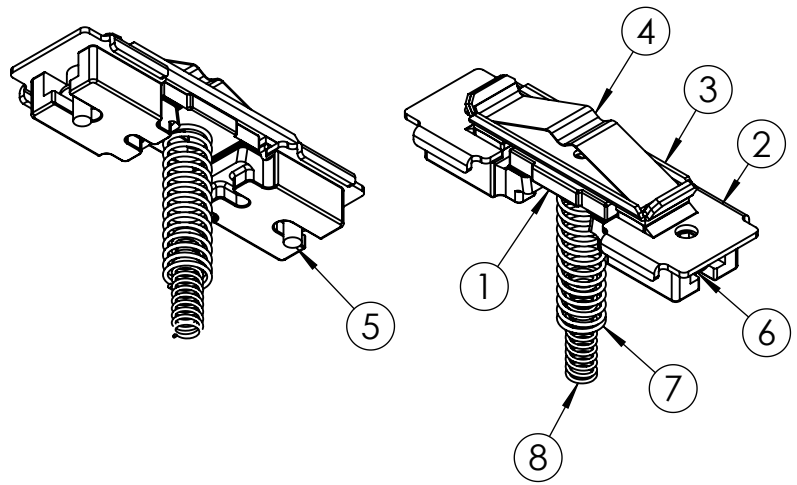
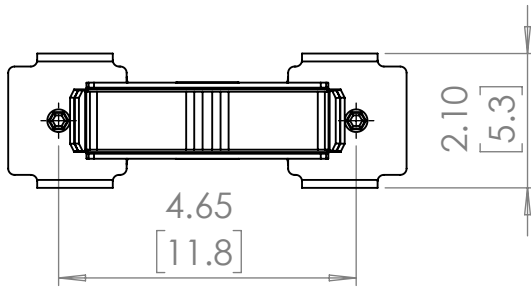
BRAH Electric direct replacement contact kit. 3 Pole, rated for 700 Amp, 600 Volt max, suitable for NEMA size 0 motor starters & contactors, suitable with ABB EH Series model types EH-700. Complete assembly kit includes all contacts and related mounting screws & hardware. Kit directly replaces ABB OEM EHCK700-3

### **PRODUCT SPECIFICATIONS**

Manufacturer	BRAH Electric
Sub-Category	Contact Kits
Family	EH Series
Type	BEHCK
Type For	EH-700
OEM Manufacturer	ABB
OEM Part Number	EHCK700-3
Poles	3
Amperage Max	700
Voltage Max	600
NEMA size	0

**Warranty:** All Products sold by BRAH Electric are guaranteed to be free of defect for a period of two years, under the condition that the product has been installed and operated properly. All items proven defective within the one year period will be replaced by BRAH Electric. In the event that we cannot provide a direct replacement, your monies will be refunded in full. We are not responsible for any consequential losses or damages outside of the defective product as well as any replacements or repairs performed by another party without our written authorization from BRAH Electric.

REVISIONS				
ZONE	REV.	DESCRIPTION	DATE	APPROVED



ITEM NO.	PART NUMBER	DESCRIPTION	VENDOR	QTY.
1	BEHCK700-3	Contact Kit	BRAH	3
2	BEHCK700-3 - 01	Contact Kit	BRAH	6
3	BEHCK700-3 - 02	Contact Kit	BRAH	3
4	BEHCK700-3 - 03	Contact Kit	BRAH	3
5	BEHCK700-3 - Screw	M8 X 15 mm	BRAH	6
6	BEHCK700-3 - Washer	Washer	BRAH	6
7	BEHCK700-3 - Spring	Contact Kit	BRAH	3
8	BEHCK700-3 - Spring small	Contact Kit	BRAH	3

\* NOTE: BRAH Electric, aftermarket direct replacement contact kits for ABB EH Series, Type BEHCK, 3 pole kit, suitable for use with EH-700, NEMA size 0, rated for 700A, 600V maximum

[WWW.BRAHELECTRIC.COM](http://WWW.BRAHELECTRIC.COM), 855-355-2724

<p>THIRD ANGLE PROJECTION</p>	<p>UNLESS OTHERWISE NOTED ALL DIMENSIONS ARE IN INCHES METRIC UNITS ARE DISPLAYED BENEATH IN [ MM. ]</p>			
	<p>PROPRIETARY AND CONFIDENTIAL</p> <p>THE INFORMATION CONTAINED IN THIS DRAWING IS THE SOLE PROPERTY OF BRAH ELECTRIC. ANY REPRODUCTION IN PART OR AS A WHOLE WITHOUT THE WRITTEN PERMISSION OF BRAH ELECTRIC IS PROHIBITED.</p>	<p>MATERIAL</p> <p>N/A</p>		<p>CONTACT KIT</p>
<p>FINISH</p> <p>N/A</p>	<p>DO NOT SCALE DRAWING</p>	<p>SIZE <b>A</b> DWG. NO. BEHCK700-3</p>	<p>REV. <b>A</b></p>	
		<p>SCALE:1:2</p>	<p>WEIGHT: 1.746 LBS</p>	<p>SHEET 1 OF 1</p>