



CONTACT US @ 855-355-2724

E-Mail: [Sales@brahelectric.com](mailto:Sales@brahelectric.com)

[www.Brahelectric.com](http://www.Brahelectric.com)

## PRODUCT DATA SHEET



### Bus Plugs

Picture is for reference only,  
Actual Kit may vary slightly

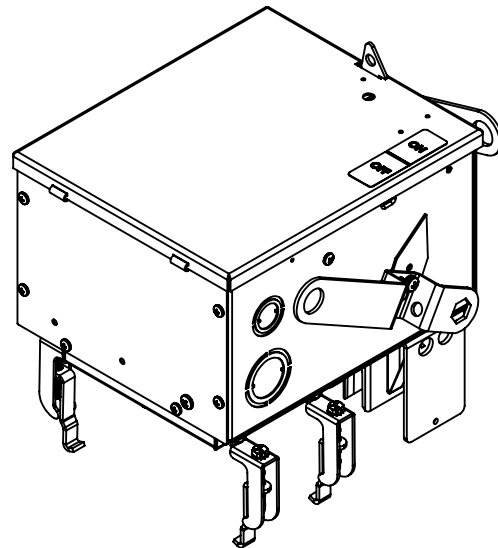
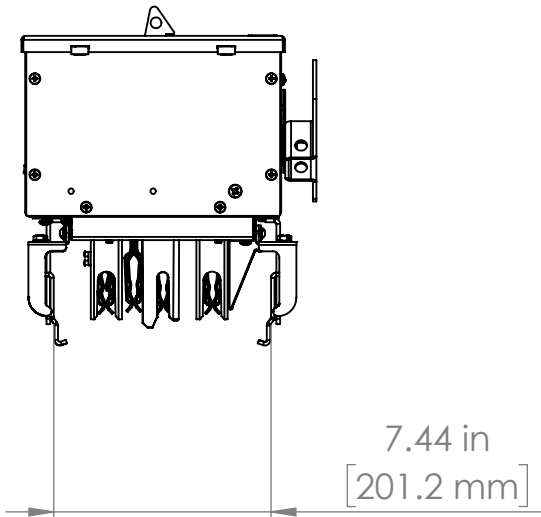
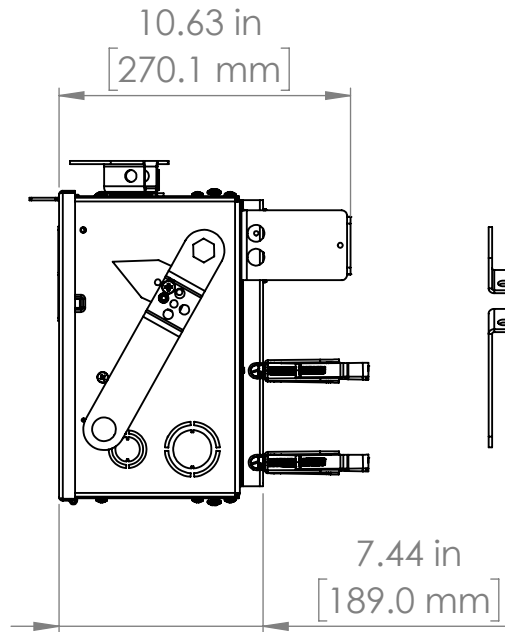
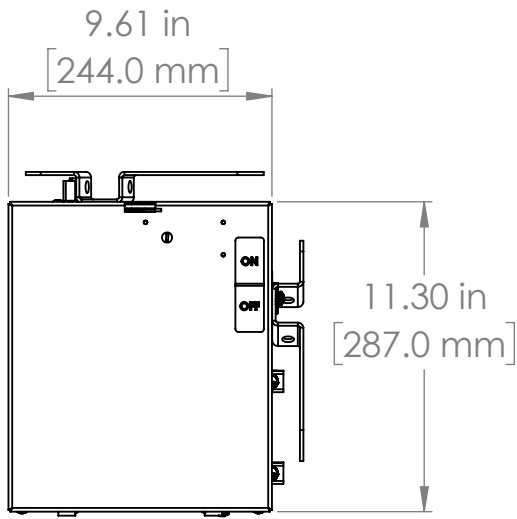
### **PART NUMBER – BEK3606GNW:**

BRAH Electric aftermarket 60 amp, 600 volt, 3 phase, 4 wire, with ground, fusible style bus plug, includes weather stripping for drip protection, type BEK / FVK, suitable for use with OEM General Electric Flex-A-Plug Series industrial busway systems, accepts Class H, R and J fuse types, direct substitute, fit and function for GE OEM type FVK Bus Plugs

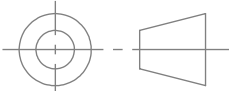

### **PRODUCT SPECIFICATIONS**

Manufacturer	BRAH Electric
Sub-Category	Fusible
Type	FVK, BEK
Family	Type BEK
Wire	4
Voltage	600
Amperage	60
Suit Fuse	H, R, T, L
A/C Rating	200ka@480V
Phase	3

**Warranty:** All Products sold by BRAH Electric are guaranteed to be free of defect for a period of two years, under the condition that the product has been installed and operated properly. All items proven defective within the one year period will be replaced by BRAH Electric. In the event that we cannot provide a direct replacement, your monies will be refunded in full. We are not responsible for any consequential losses or damages outside of the defective product as well as any replacements or repairs performed by another party without our written authorization from BRAH Electric.



\* NOTE: BRAH Electric aftermarket direct, 60amp, 600volt, 3 phase, 4 wire, fusible style bus plug, type BEK / FVK, suitable for use with OEM General Electric Flux-A-Plug series industrial Busway System.

 THIRD ANGLE PROJECTION	UNLESS OTHERWISE NOTED ALL DIMENSIONS ARE IN INCHES METRIC UNITS ARE DISPLAYED BENEATH IN [ MM. ]			
	PROPRIETARY AND CONFIDENTIAL THE INFORMATION CONTAINED IN THIS DRAWING IS THE SOLE PROPERTY OF BRAH ELECTRIC. ANY REPRODUCTION IN PART OR AS A WHOLE WITHOUT THE WRITTEN PERMISSION OF BRAH ELECTRIC IS PROHIBITED.			
MATERIAL		FINISH		SIZE <b>A</b>
DO NOT SCALE DRAWING		N/A		DWG. NO. <b>BEK3606GNW</b>
		SCALE: 1:10		REV. <b>A</b>
		WEIGHT:		SHEET 1 OF 1