



CONTACT US @ 855-355-2724

E-Mail: Sales@brahelectric.com

www.Brahelectric.com

PRODUCT DATA SHEET



Bus Plugs

Picture is for reference only,
Actual Kit may vary slightly

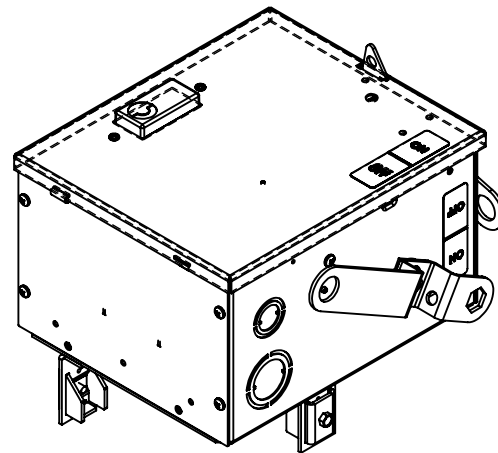
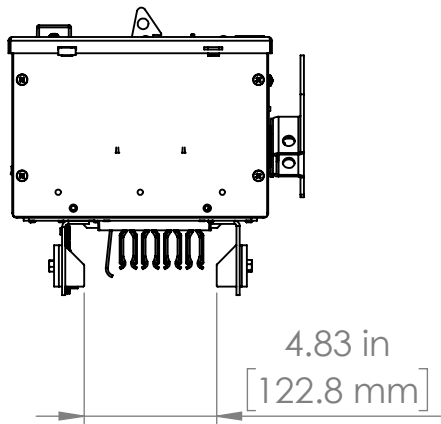
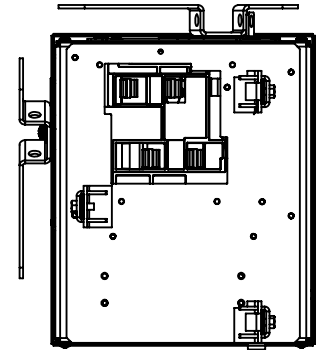
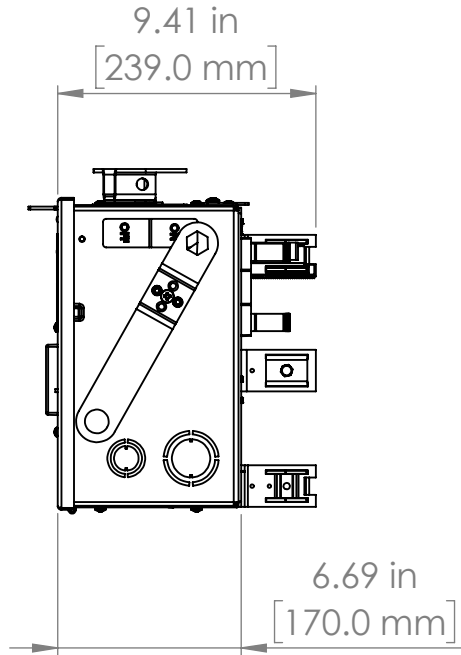
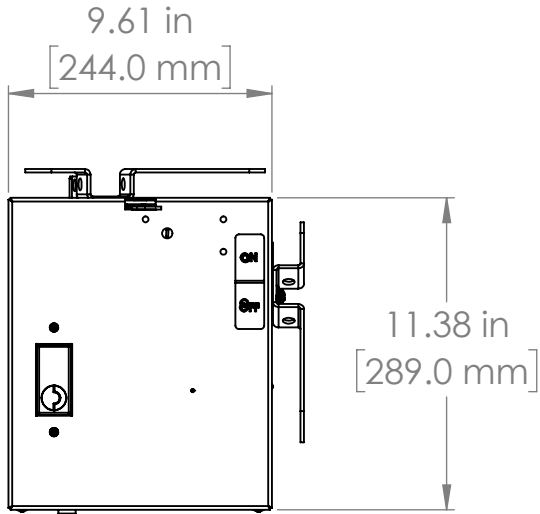
PART NUMBER – BIP3206GN:

BRAH Electric aftermarket ITAP322GN, 60 amp, 240 volt, 3 phase, 4 wire, with ground, fusible style bus plug, type BIP / ITAP, suitable for use with OEM Westinghouse / Cutler Hammer / Eaton POW-R-WAY I & II Series industrial busway systems, accepts Class R fuse types, direct substitute, fit and function for Westinghouse OEM ITAP322GN, ITAP322RGN

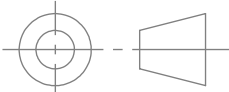

PRODUCT SPECIFICATIONS

Manufacturer	BRAH Electric
Sub-Category	Fusible
Family	POW-R-WAY I AND 11
Type	ITAP, BIP
Wire	4
Voltage	240
Amperage	60
Suit Fuse	R
A/C Rating	200ka@240V
Phase	3

Warranty: All Products sold by BRAH Electric are guaranteed to be free of defect for a period of two years, under the condition that the product has been installed and operated properly. All items proven defective within the one year period will be replaced by BRAH Electric. In the event that we cannot provide a direct replacement, your monies will be refunded in full. We are not responsible for any consequential losses or damages outside of the defective product as well as any replacements or repairs performed by another party without our written authorization from BRAH Electric.



* NOTE: BRAH Electric aftermarket direct ITAP322GN, 60amp, 240volt, 3 phase, 4 wire, fusible style bus plug, type BIP/ITAP, suitable for use with OEM Westinghouse /Cutler hammer/Eaton POW-R-WAY I & II Industrial Busway System.

 THIRD ANGLE PROJECTION	UNLESS OTHERWISE NOTED ALL DIMENSIONS ARE IN INCHES METRIC UNITS ARE DISPLAYED BENEATH IN [MM.]		 FUSIBLE BUS BLUGS		
	PROPRIETARY AND CONFIDENTIAL THE INFORMATION CONTAINED IN THIS DRAWING IS THE SOLE PROPERTY OF BRAH ELECTRIC. ANY REPRODUCTION IN PART OR AS A WHOLE WITHOUT THE WRITTEN PERMISSION OF BRAH ELECTRIC IS PROHIBITED.				MATERIAL
	FINISH N/A	DO NOT SCALE DRAWING	SIZE A	DWG. NO. BIP3206GN	REV. A
			SCALE: 1:5	WEIGHT:	SHEET 1 OF 1