



CONTACT US @ 855-355-2724

E-Mail: Sales@brahelectric.com

www.Brahelectric.com

PRODUCT DATA SHEET



CONTACT KITS

Picture is for reference only,
Actual Kit may vary slightly

PART NUMBER- BLA5F400803:

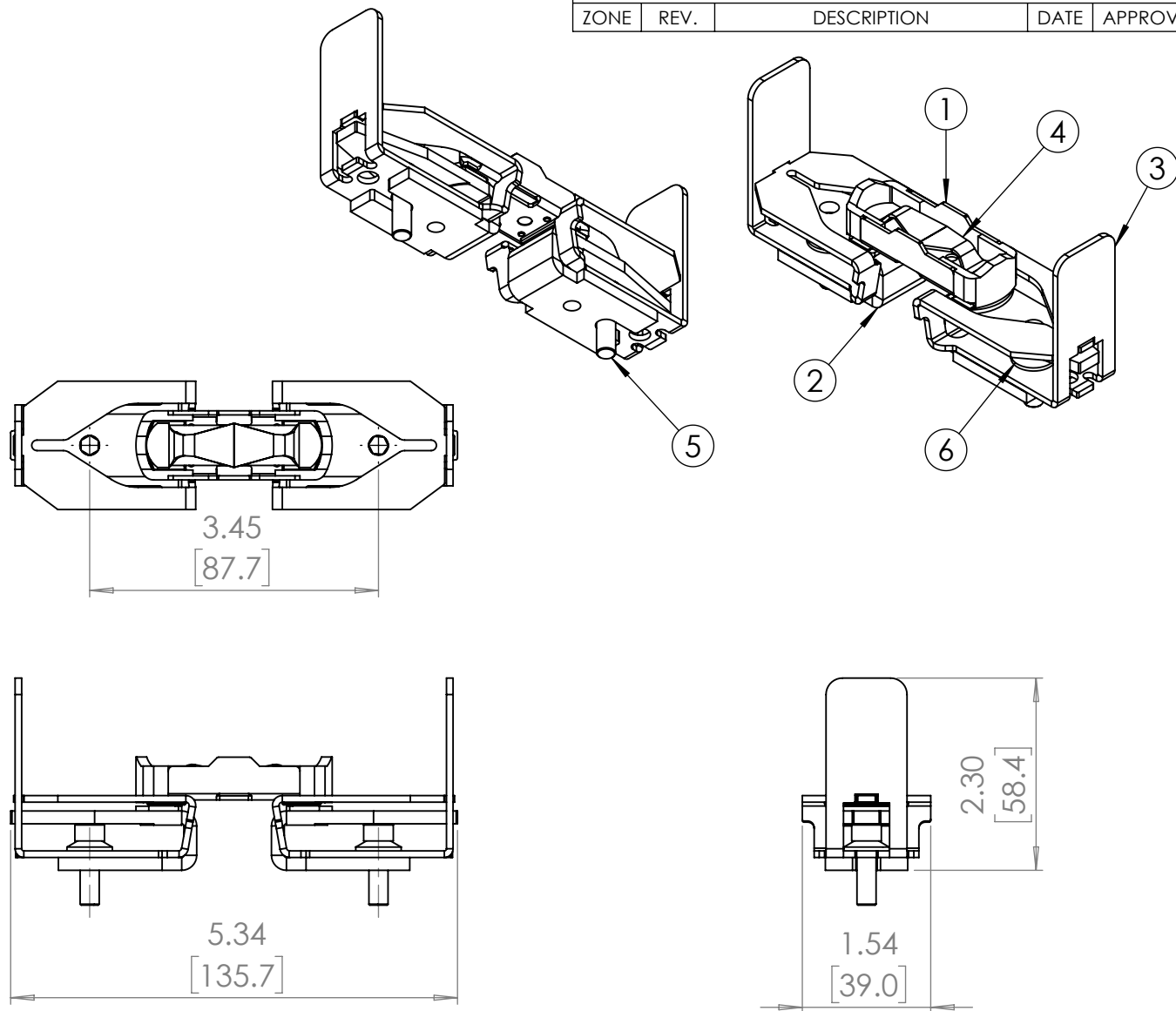
BRAH Electric direct replacement contact kit. 3 Pole, rated for 500Amp, 600 Volt max, suitable for NEMA size 0 motor starters & contactors, suitable with Telemecanique TeSys F model types LC1F330, LC1F400, CR1F400. Complete assembly kit includes all contacts and related mounting screws & hardware. Kit directly replaces Telemecanique OEM LA5F400803

PRODUCT SPECIFICATIONS

Manufacturer	BRAH Electric
Sub-Category	Contact Kits
Family	TeSys F
Type	LA5F
Type For	LC1F330, LC1F400, CR1F400
OEM Manufacturer	Telemecanique
OEM Part Number	LA5F400803
Poles	3
Amperage Max	500
Voltage Max	600
NEMA size	0

Warranty: All Products sold by BRAH Electric are guaranteed to be free of defect for a period of two years, under the condition that the product has been installed and operated properly. All items proven defective within the one year period will be replaced by BRAH Electric. In the event that we cannot provide a direct replacement, your monies will be refunded in full. We are not responsible for any consequential losses or damages outside of the defective product as well as any replacements or repairs performed by another party without our written authorization from BRAH Electric.

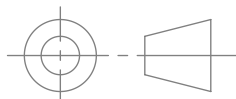
REVISIONS				
ZONE	REV.	DESCRIPTION	DATE	APPROVED



ITEM NO.	PART NUMBER	DESCRIPTION	VENDOR	QTY.
1	BLA5F400803	Contact Kit	BRAH	3
2	BLA5F400803-01	Contact Kit	BRAH	6
3	BLA5F400803 -02	Contact Kit	BRAH	6
4	BLA5F400803 -03	Contact Kit	BRAH	3
5	BLA5F400803 - Screw	1/4-28 UNF X 3/4"	BRAH	6
6	BLA5F400803 - Washer	Washer	BRAH	6

* NOTE: BRAH Electric, aftermarket direct replacement contact kits for Telemecanique TeSys, Type LA5F, 3 pole kit, suitable for use with LC1F330, LC1F400, CR1F400 NEMA size 0, rated for 500A, 600V maximum

WWW.BRAHELECTRIC.COM, 855-355-2724



THIRD ANGLE PROJECTION

PROPRIETARY AND CONFIDENTIAL

THE INFORMATION CONTAINED IN THIS DRAWING IS THE SOLE PROPERTY OF BRAH ELECTRIC. ANY REPRODUCTION IN PART OR AS A WHOLE WITHOUT THE WRITTEN PERMISSION OF BRAH ELECTRIC IS PROHIBITED.

UNLESS OTHERWISE NOTED

ALL DIMENSIONS ARE IN INCHES
METRIC UNITS ARE DISPLAYED
BENEATH IN [MM.]

MATERIAL N/A

FINISH N/A

DO NOT SCALE DRAWING



CONTACT KIT

SIZE **A** DWG. NO. **BLA5F400803**

REV. **A**

SCALE: 1:5

WEIGHT: 0.679 LBS

SHEET 1 OF 1