



CONTACT US @ 855-355-2724

E-Mail: Sales@brahelectric.com

www.Brahelectric.com

PRODUCT DATA SHEET



CONTACT KITS

Picture is for reference only,
Actual Kit may vary slightly

PART NUMBER- BLA5FF431:

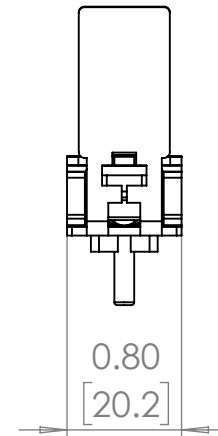
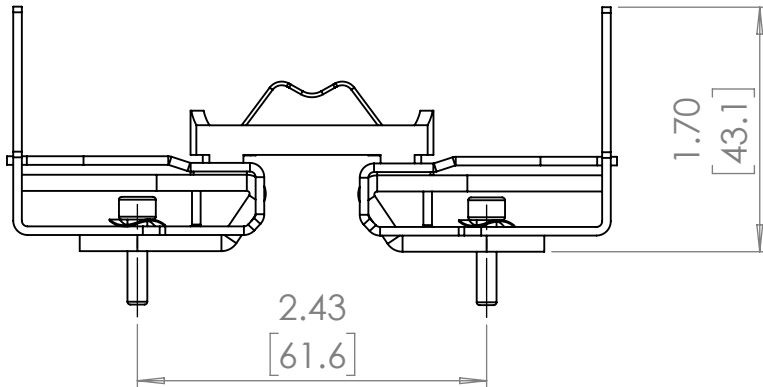
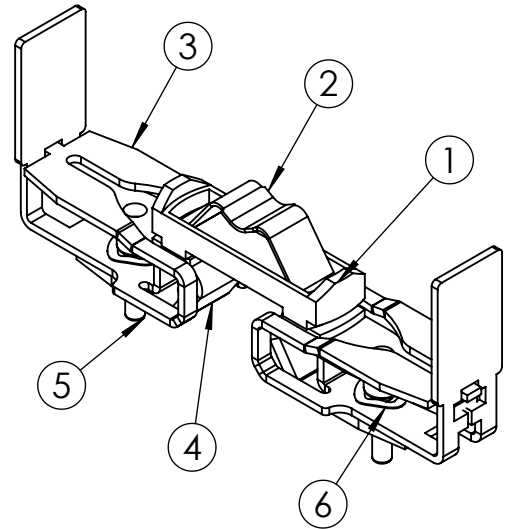
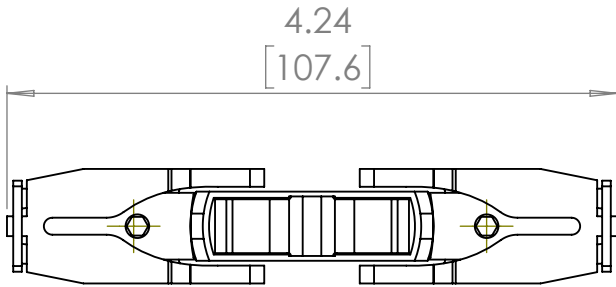
BRAH Electric direct replacement contact kit. 3 Pole, rated for 250 Amp, 600 Volt max, suitable for NEMA size 0 motor starters & contactors, suitable with Telemecanique TeSys F model types LC1F115, LC1F150, CR1F150. Complete assembly kit includes all contacts and related mounting screws & hardware. Kit directly replaces Telemecanique OEM LA5FF431

PRODUCT SPECIFICATIONS

Manufacturer	BRAH Electric
Sub-Category	Contact Kits
Family	TeSys F
Type	LA5F
Type For	LC1F115, LC1F150, CR1F150
OEM Manufacturer	Telemecanique
OEM Part Number	LA5FF431
Poles	3
Amperage Max	250
Voltage Max	600
NEMA size	0

Warranty: All Products sold by BRAH Electric are guaranteed to be free of defect for a period of two years, under the condition that the product has been installed and operated properly. All items proven defective within the one year period will be replaced by BRAH Electric. In the event that we cannot provide a direct replacement, your monies will be refunded in full. We are not responsible for any consequential losses or damages outside of the defective product as well as any replacements or repairs performed by another party without our written authorization from BRAH Electric.

REVISIONS				
ZONE	REV.	DESCRIPTION	DATE	APPROVED



ITEM NO.	PART NUMBER	DESCRIPTION	VENDOR	QTY.
1	BLA5FF431	Contact Kit	BRAH	3
2	BLA5FF431-01	Contact Kit	BRAH	3
3	BLA5FF431-02	Contact Kit	BRAH	6
4	BLA5FF431-03	Contact Kit	BRAH	6
5	BLA5FF431 - Screw	M4 X 15 mm	BRAH	6
6	BLA5FF431 - Washer	Washer	BRAH	6

* NOTE: BRAH Electric, aftermarket direct replacement contact kits for Telemecanique TeSys, Type LA5F, 3 pole kit, suitable for use with LC1F115, LC1F150, CR1F150 NEMA size 0, rated for 250A, 600V maximum

WWW.BRAHELECTRIC.COM, 855-355-2724

<p>THIRD ANGLE PROJECTION</p>	<p>UNLESS OTHERWISE NOTED ALL DIMENSIONS ARE IN INCHES METRIC UNITS ARE DISPLAYED BENEATH IN [MM.]</p>			
	<p>PROPRIETARY AND CONFIDENTIAL THE INFORMATION CONTAINED IN THIS DRAWING IS THE SOLE PROPERTY OF BRAH ELECTRIC. ANY REPRODUCTION IN PART OR AS A WHOLE WITHOUT THE WRITTEN PERMISSION OF BRAH ELECTRIC IS PROHIBITED.</p>	<p>MATERIAL N/A</p> <p>FINISH N/A</p> <p>DO NOT SCALE DRAWING</p>		<p>CONTACT KIT</p>
<p>SIZE A DWG. NO. BLA5FF431 REV. A</p>		<p>SCALE: 1:1</p>	<p>WEIGHT: 0.209 LBS</p>	<p>SHEET 1 OF 1</p>