



CONTACT US @ 855-355-2724

E-Mail: [Sales@brahelectric.com](mailto:Sales@brahelectric.com)

[www.Brahelectric.com](http://www.Brahelectric.com)

## PRODUCT DATA SHEET

---



### CONTACT KITS

Picture is for reference only,  
Actual Kit may vary slightly

### **PART NUMBER- BLA5FG431:**

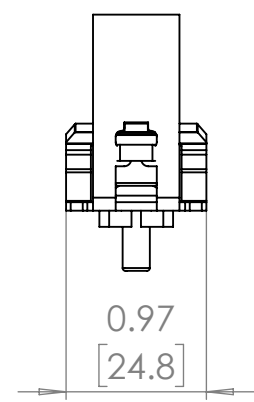
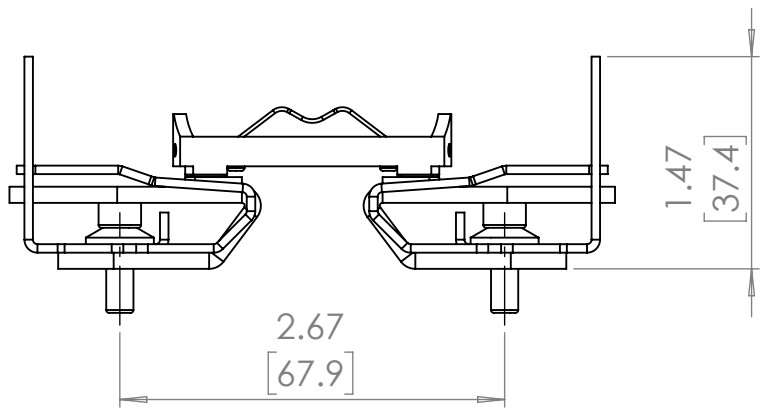
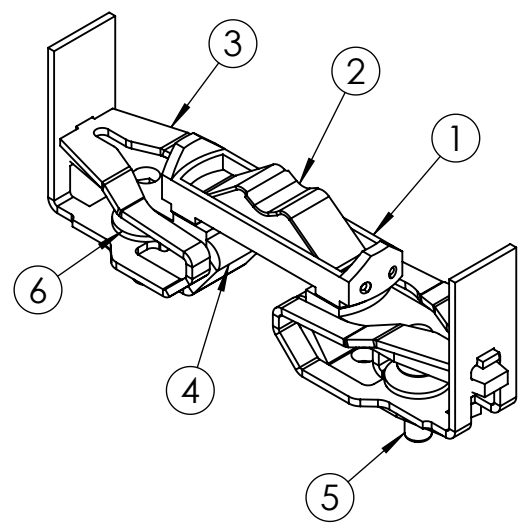
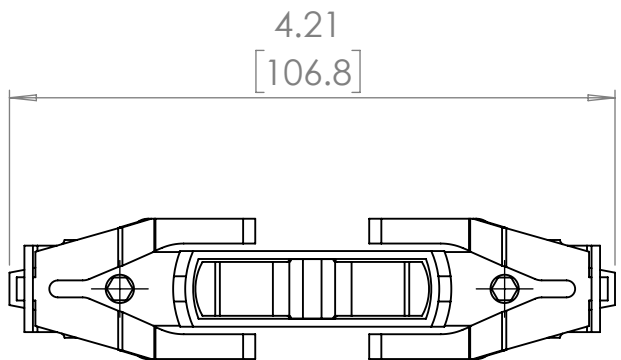
BRAH Electric direct replacement contact kit. 3 Pole, rated for 275 Amp, 600 Volt max, suitable for NEMA size 0 motor starters & contactors, suitable with Telemecanique TeSys F model types LC1F185, LC1F225, CR1F185. Complete assembly kit includes all contacts and related mounting screws & hardware. Kit directly replaces Telemecanique OEM LA5FG431

### **PRODUCT SPECIFICATIONS**

Manufacturer	BRAH Electric
Sub-Category	Contact Kits
Family	TeSys F
Type	LA5F
Type For	LC1F185, LC1F225, CR1F185
OEM Manufacturer	Telemecanique
OEM Part Number	LA5FG431
Poles	3
Amperage Max	275
Voltage Max	600
NEMA size	0

**Warranty:** All Products sold by BRAH Electric are guaranteed to be free of defect for a period of two years, under the condition that the product has been installed and operated properly. All items proven defective within the one year period will be replaced by BRAH Electric. In the event that we cannot provide a direct replacement, your monies will be refunded in full. We are not responsible for any consequential losses or damages outside of the defective product as well as any replacements or repairs performed by another party without our written authorization from BRAH Electric.

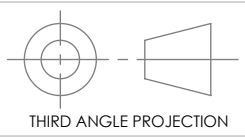
REVISIONS				
ZONE	REV.	DESCRIPTION	DATE	APPROVED



ITEM NO.	PART NUMBER	DESCRIPTION	VENDOR	QTY.
1	BLA5FG431	Contact Kit	BRAH	3
2	BLA5FG431 - 01	Contact Kit	BRAH	3
3	BLA5FG431 - 02	Contact Kit	BRAH	6
4	BLA5FG431 - 03	Contact Kit	BRAH	6
5	BLA5FG431 - Screw	M4 X 15 mm	BRAH	6
6	BLA5FG431 - Washer	Washer	BRAH	6

\* NOTE: BRAH Electric, aftermarket direct replacement contact kits for Telemecanique TeSys, Type LA5F, 3 pole kit, suitable for use with LC1F185, LC1F225, CR1F185 NEMA size 0, rated for 275A, 600V maximum

[WWW.BRAHELECTRIC.COM](http://WWW.BRAHELECTRIC.COM), 855-355-2724



**PROPRIETARY AND CONFIDENTIAL**  
 THE INFORMATION CONTAINED IN THIS DRAWING IS THE SOLE PROPERTY OF BRAH ELECTRIC. ANY REPRODUCTION IN PART OR AS A WHOLE WITHOUT THE WRITTEN PERMISSION OF BRAH ELECTRIC IS PROHIBITED.

UNLESS OTHERWISE NOTED  
 ALL DIMENSIONS ARE IN INCHES  
 METRIC UNITS ARE DISPLAYED  
 BENEATH IN [ MM. ]

MATERIAL N/A  
 FINISH N/A  
 DO NOT SCALE DRAWING



**CONTACT KIT**

SIZE <b>A</b>	DWG. NO. <b>BLA5FG431</b>	REV. <b>A</b>
SCALE: 1:2	WEIGHT: 0.246 LBS	SHEET 1 OF 1