

PRODUCT DATA SHEET



PART NUMBER – BLC1D2510-U7: BRAH Electric, aftermarket direct replacement contactors for Telemecanique LC1D2510-U7, TeSys D Series, type LC1D, 3P, 3PH, 40A, 600V, 7.5HP @ 240V, 15HP @ 480V, 20HP @ 600V, complete with 240V AC 50/60Hz coil, and 1 N/O auxiliary contact, AC magnetic contactor, suitable for use with LC1-D series motor control systems

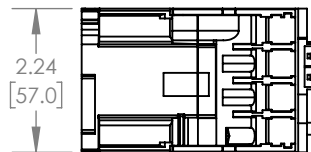
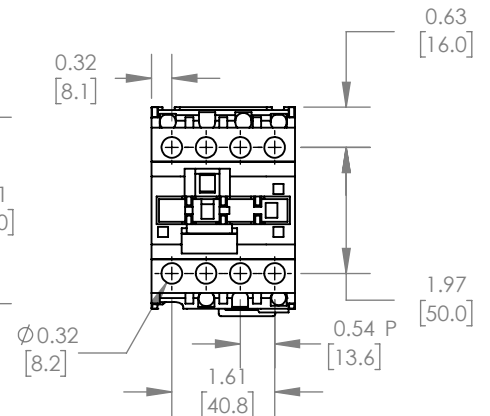
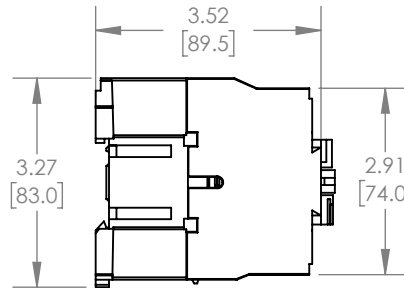
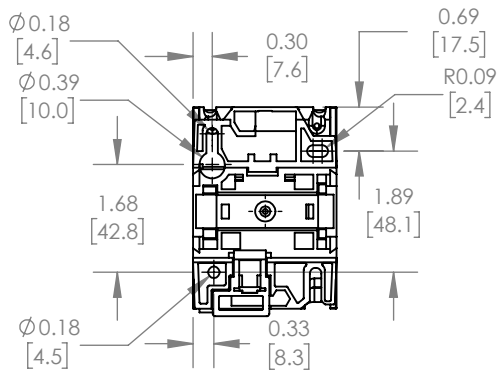
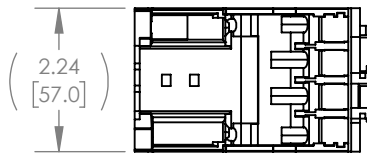
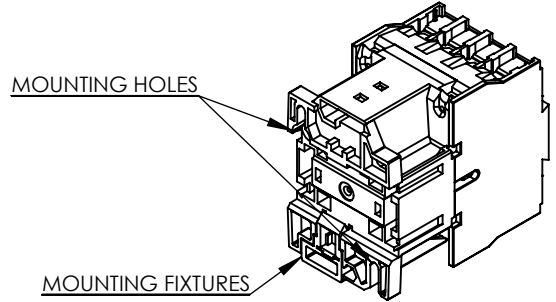
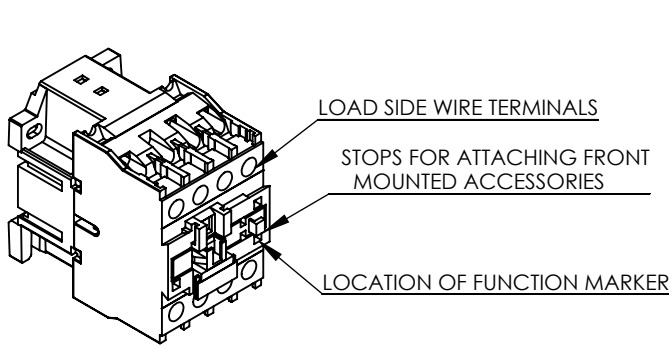
PRODUCT SPECIFICATIONS

MAGNETIC CONTACTOR
PART NO. BLC1D2510-U7

<i>TYPE</i>	<i>VALUE (UNITS)</i>	<i>NOTES</i>	<i>COMMENTS</i>
<i>PHASE</i>	3		
<i>POLES</i>	3		
<i>VOLTAGE</i>	600 (VAC)		
<i>AMPERAGE</i>	40 (A)		
<i>COIL VOLTAGE MIN</i>	240 (V)		
<i>COIL VOLTAGE MAX</i>	240 (V)		
<i>MIN HP. RATING</i>	7.5 (HP)	@ 240V	
<i>MAX HP RATING</i>	20 (HP)	@ 600V	

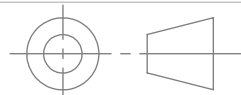
Warranty: All Products sold by BRAH Electric are guaranteed to be free of defect for a period of one year, under the condition that the product has been installed and operated properly. All items proven defective within the one year period will be replaced by BRAH Electric. In the event that we cannot provide a direct replacement, your monies will be refunded in full. We are not responsible for any consequential losses or damages outside of the defective product as well as any replacements or repairs performed by another party without our written authorization from BRAH Electric.

REVISIONS				
ZONE	DESCRIPTION	REV.	DATE	APPROVED



WWW.BRAHELECTRIC.COM, 855-355-2724

*NOTE: BRAH ELECTRIC CONTACTOR BLC1D2510-U7 IS AN AFTERMARKET DIRECT REPLACEMENT FOR LC1D2510-U7, SERIES. SUITABLE FOR USE WITH LC1-D SERIES MOTOR CONTROL SYSTEMS.



THIRD ANGLE PROJECTION

PROPRIETARY AND CONFIDENTIAL

THE INFORMATION CONTAINED IN THIS DRAWING IS THE SOLE PROPERTY OF BRAH ELECTRIC. ANY REPRODUCTION IN PART OR AS A WHOLE WITHOUT THE WRITTEN PERMISSION OF BRAH ELECTRIC IS PROHIBITED.

UNLESS OTHERWISE NOTED

ALL DIMENSIONS ARE IN INCHES
METRIC UNITS ARE DISPLAYED
BENEATH IN [MM.]

MATERIAL
MOLDED PLASTIC CASE

FINISH
N/A

DO NOT SCALE DRAWING



MAGNETIC CONTACTOR

SIZE A	DWG. NO. BLC1D2510-U7	REV. A
SCALE: 1:3	WEIGHT: 3.2 LBS	SHEET 1 OF 1