

## PRODUCT DATA SHEET



**PART NUMBER – BLC1D2510-V7:** BRAH Electric, aftermarket direct replacement contactors for Telemecanique LC1D2510-V7, TeSys D Series, type LC1D, 3P, 3PH, 40A, 600V, 7.5HP @ 240V, 15HP @ 480V, 20HP @ 600V, complete with 400V AC 50/60Hz coil, and 1 N/O auxiliary contact, AC magnetic contactor, suitable for use with LC1-D series motor control systems

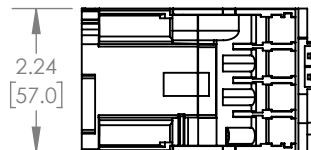
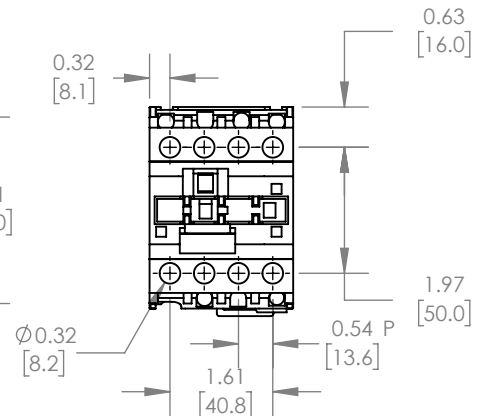
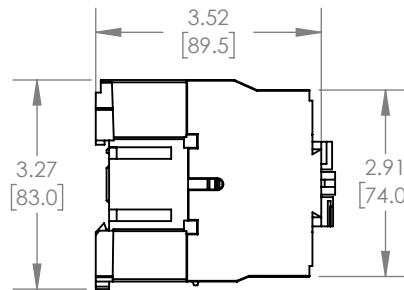
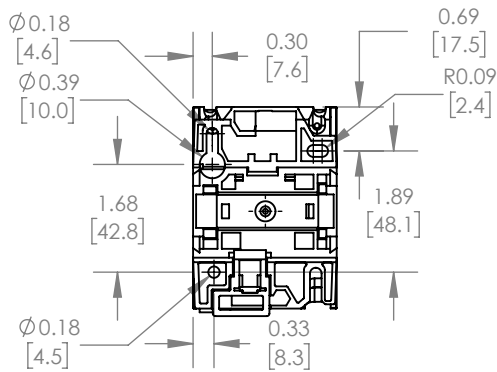
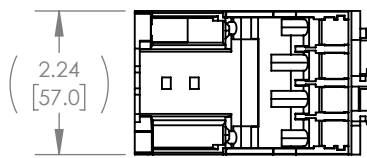
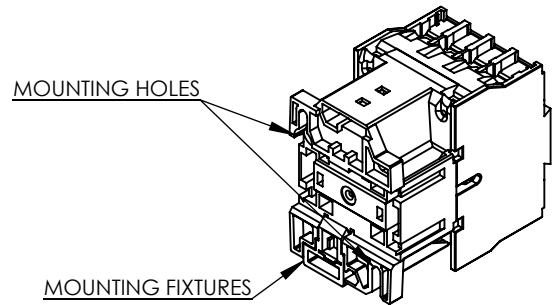
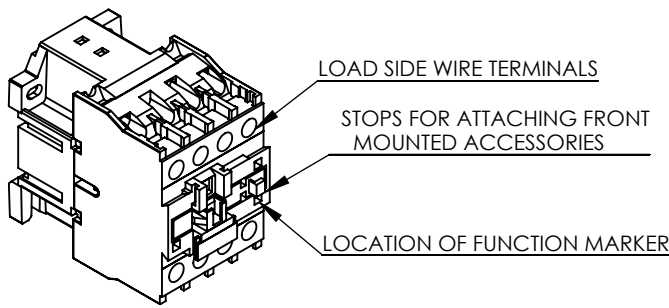
### **PRODUCT SPECIFICATIONS**

MAGNETIC CONTACTOR  
PART NO. BLC1D2510-V7

<i>TYPE</i>	<i>VALUE (UNITS)</i>	<i>NOTES</i>	<i>COMMENTS</i>
<i>PHASE</i>	3		
<i>POLES</i>	3		
<i>VOLTAGE</i>	600 (VAC)		
<i>AMPERAGE</i>	40 (A)		
<i>COIL VOLTAGE MIN</i>	400 (V)		
<i>COIL VOLTAGE MAX</i>	400 (V)		
<i>MIN HP. RATING</i>	7.5 (HP)	@ 240V	
<i>MAX HP RATING</i>	20 (HP)	@ 600V	

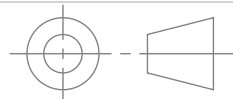
**Warranty:** All Products sold by BRAH Electric are guaranteed to be free of defect for a period of one year, under the condition that the product has been installed and operated properly. All items proven defective within the one year period will be replaced by BRAH Electric. In the event that we cannot provide a direct replacement, your monies will be refunded in full. We are not responsible for any consequential losses or damages outside of the defective product as well as any replacements or repairs performed by another party without our written authorization from BRAH Electric.

REVISIONS				
ZONE	DESCRIPTION	REV.	DATE	APPROVED



[WWW.BRAHELECTRIC.COM](http://WWW.BRAHELECTRIC.COM), 855-355-2724

\*NOTE: BRAH ELECTRIC CONTACTOR BLC1D2510-V7 IS AN AFTERMARKET DIRECT REPLACEMENT FOR LC1D2510-V7, SERIES.SUITABLE FOR USE WITH LC1-D SERIES MOTOR CONTROL SYSTEMS.



THIRD ANGLE PROJECTION

**PROPRIETARY AND CONFIDENTIAL**  
THE INFORMATION CONTAINED IN THIS DRAWING IS THE SOLE PROPERTY OF BRAH ELECTRIC. ANY REPRODUCTION IN PART OR AS A WHOLE WITHOUT THE WRITTEN PERMISSION OF BRAH ELECTRIC IS PROHIBITED.

UNLESS OTHERWISE NOTED ALL DIMENSIONS ARE IN INCHES METRIC UNITS ARE DISPLAYED BENEATH IN [ MM. ]	
MATERIAL	MOLDED PLASTIC CASE
FINISH	N/A
DO NOT SCALE DRAWING	



MAGNETIC CONTACTOR

SIZE	DWG. NO.	REV.
<b>A</b>	BLC1D2510-V7	<b>A</b>
SCALE: 1:3	WEIGHT: 3.2 LBS	SHEET 1 OF 1