



CONTACT US @ 855-355-2724

E-Mail: Sales@brahelectric.com

www.Brahelectric.com

PRODUCT DATA SHEET



Contactors

Picture is for reference only,
Actual Kit may vary slightly

Voltage Selection Char BLC1F185XX

| | |
|------------|--------|
| BLC1F185 | 120VAC |
| BLC1F185B6 | 24VAC |
| BLC1F185G6 | 120VAC |
| BLC1F185L7 | 208VAC |
| BLC1F185Q5 | 480VAC |
| BLC1F185U6 | 240VAC |

PART NUMBER- BLC1F185:

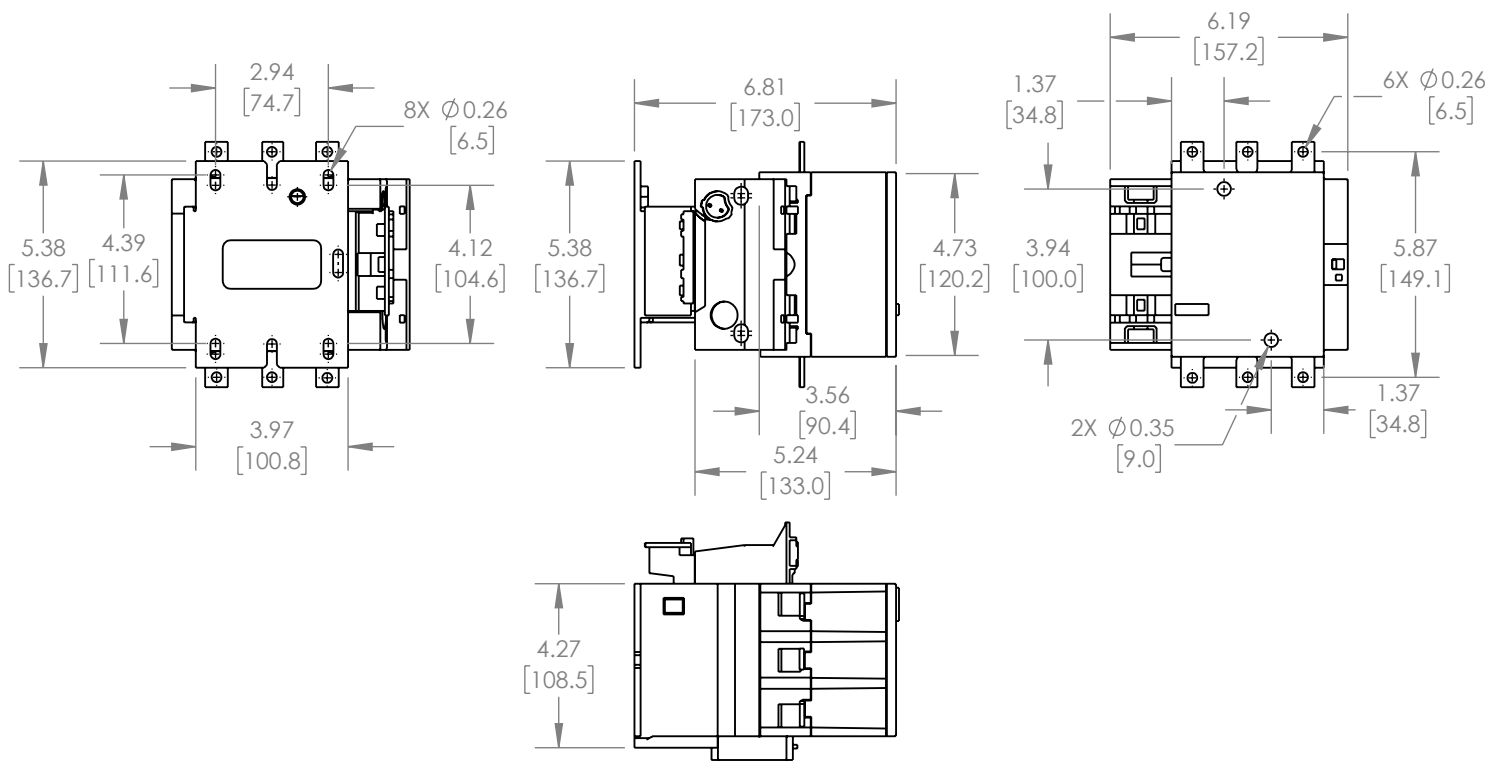
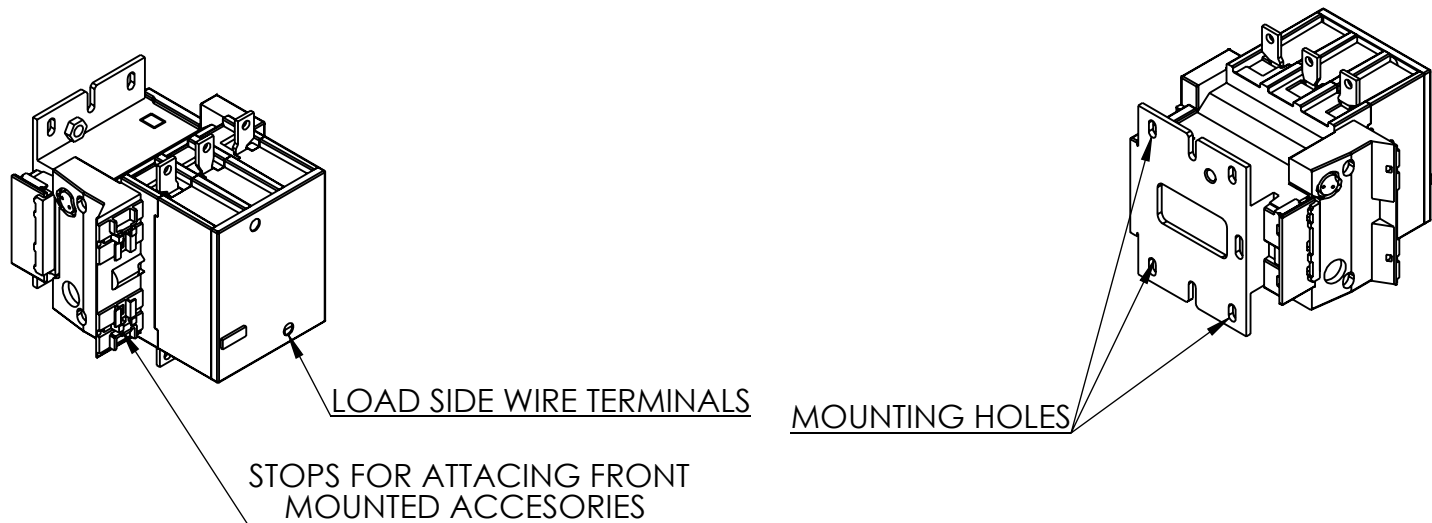
BRAH Electric, LC1F185, 275amp, 600volt, 3 pole, AC rated contactor, complete with 120VAC control coil, suitable for use with Telemecanique TeSys F type LC1F, direct substitute contactor for Telemecanique OEM LC1F185.

PRODUCT SPECIFICATIONS

| | |
|---------------------|---------------|
| Manufacturer | BRAH Electric |
| Sub-Category | Contactors |
| Family | TeSys F |
| Type | LC1F |
| Control Voltage Min | 120 |
| Voltage | 600 |
| Control Voltage Max | 120 |
| Amperage | 275 |
| Poles | 3 |
| Phase | 3 |

Warranty: All Products sold by BRAH Electric are guaranteed to be free of defect for a period of two years, under the condition that the product has been installed and operated properly. All items proven defective within the one year period will be replaced by BRAH Electric. In the event that we cannot provide a direct replacement, your monies will be refunded in full. We are not responsible for any consequential losses or damages outside of the defective product as well as any replacements or repairs performed by another party without our written authorization from BRAH Electric.

| REVISIONS | | | | |
|-----------|------|-------------|------|----------|
| ZONE | REV. | DESCRIPTION | DATE | APPROVED |
| | | | | |



***NOTE: BRAH ELECTRIC CONTACTOR BLC1F185 IS AN AFTERMARKET DIRECT REPLACEMENT FOR LC1F185, LC1-F SERIES. SUITABLE FOR USE WITH LC1-F SERIES MOTOR CONTROL SYSTEMS**

| | | | | |
|-------------------------------------------------------------|------------------------------------------------------------------------------------------------------------------------------------------------------------------------------------------------------------------------------------------|-------------------------------------------------------------------------------------------|----------------------------------|---------------------|
| <p>THIRD ANGLE PROJECTION</p> | <p>UNLESS OTHERWISE NOTED</p> <p>ALL DIMENSIONS ARE IN INCHES METRIC UNITS ARE DISPLAYED BENEATH IN [MM.]</p> | | | |
| | <p>PROPRIETARY AND CONFIDENTIAL</p> <p>THE INFORMATION CONTAINED IN THIS DRAWING IS THE SOLE PROPERTY OF BRAH ELECTRIC. ANY REPRODUCTION IN PART OR AS A WHOLE WITHOUT THE WRITTEN PERMISSION OF BRAH ELECTRIC IS PROHIBITED.</p> | <p>MATERIAL MOLDED PLASTIC CASE</p> <p>FINISH N/A</p> <p>DO NOT SCALE DRAWING</p> | <p>MAGNETIC CONTACTOR</p> | |
| <p>SIZE A DWG. NO. BLC1F185 REV. A</p> | | <p>SCALE: 1:5</p> | <p>WEIGHT: 3.2 LBS</p> | <p>SHEET 1 OF 1</p> |