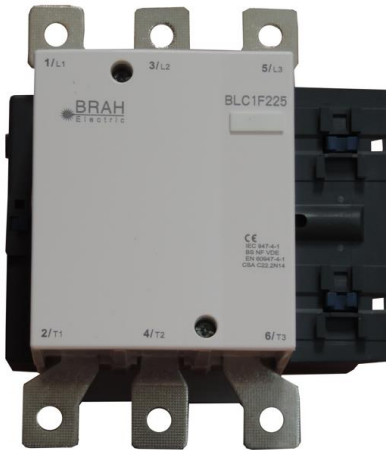




CONTACT US @ 855-355-2724  
 E-Mail: [Sales@brahelectric.com](mailto:Sales@brahelectric.com)  
[www.Brahelectric.com](http://www.Brahelectric.com)

## PRODUCT DATA SHEET



Contactors  
 Picture is for reference only,  
 Actual Kit may vary slightly

### Voltage Selection Chart BLC1F225XX

BLC1F225	120VAC
BLC1F225B6	24VAC
BLC1F225G6	120VAC
BLC1F225L7	208VAC
BLC1F225Q5	480VAC
BLC1F225U6	240VAC

### **PART NUMBER-BLC1F225Q5:**

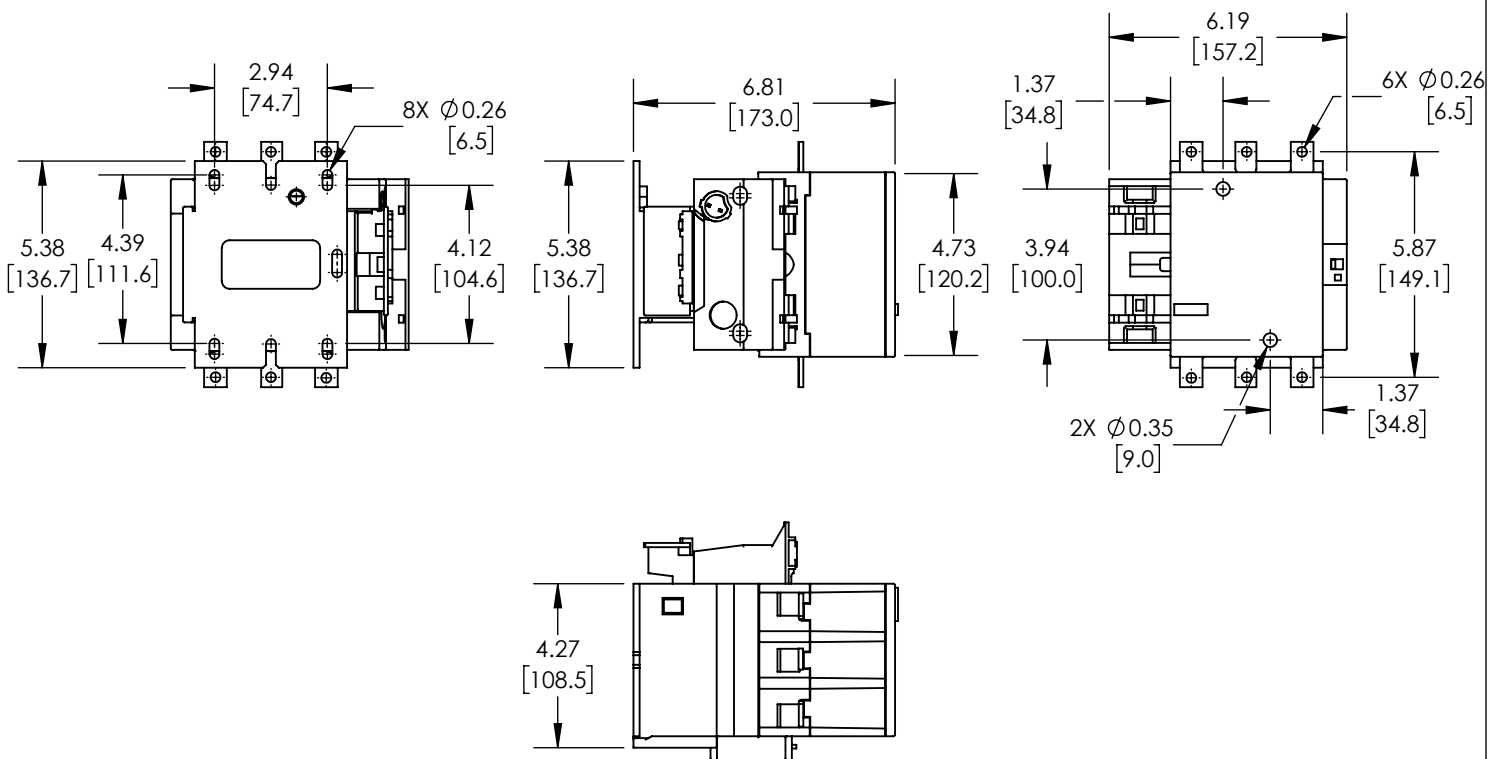
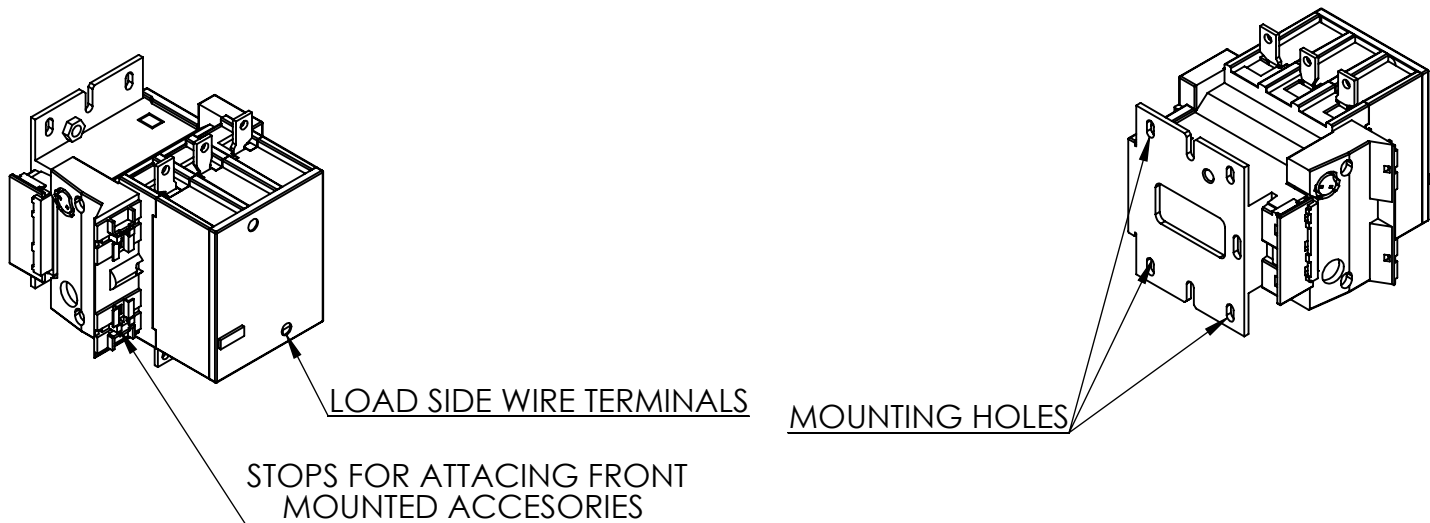
BRAH Electric, direct replacement, after market conversion kit for Telemecanique 315amp, 600volt, 3 pole, AC rated contactor, complete with 480VAC control coil, suitable for use with Telemecanique TeSys F type LC1F, direct substitute contactor for Telemecanique OEM LC1F225

### **PRODUCT SPECIFICATIONS**

Manufacturer	BRAH Electric
Sub-Category	Contactor
Family	TeSys F
Type	LC1F, BLC1F
Suitable For	LC1F
Voltage	600
Amperage	315
Poles	3
Phase	3
Horse Power	125
Frequency	50/60 Hz

**Warranty:** All Products sold by BRAH Electric are guaranteed to be free of defect for a period of two years, under the condition that the product has been installed and operated properly. All items proven defective within the one year period will be replaced by BRAH Electric. In the event that we cannot provide a direct replacement, your monies will be refunded in full. We are not responsible for any consequential losses or damages outside of the defective product as well as any replacements or repairs performed by another party without our written authorization from BRAH Electric.

REVISIONS				
ZONE	REV.	DESCRIPTION	DATE	APPROVED



**\*NOTE: BRAH ELECTRIC CONTACTOR BLC1F225Q5 IS AN AFTERMARKET DIRECT REPLACEMENT FOR LC1F1225Q5, LC1-F SERIES. SUITABLE FOR USE WITH LC1-F SERIES MOTOR CONTROL SYSTEMS**

<p>THIRD ANGLE PROJECTION</p>	<p>UNLESS OTHERWISE NOTED</p> <p>ALL DIMENSIONS ARE IN INCHES METRIC UNITS ARE DISPLAYED BENEATH IN [ MM. ]</p>		
	<p><b>PROPRIETARY AND CONFIDENTIAL</b></p> <p>THE INFORMATION CONTAINED IN THIS DRAWING IS THE SOLE PROPERTY OF BRAH ELECTRIC. ANY REPRODUCTION IN PART OR AS A WHOLE WITHOUT THE WRITTEN PERMISSION OF BRAH ELECTRIC IS PROHIBITED.</p>	<p>MATERIAL MOLDED PLASTIC CASE</p> <p>FINISH N/A</p> <p>DO NOT SCALE DRAWING</p>	<p><b>MAGNETIC CONTACTOR</b></p>
<p>SIZE <b>A</b></p> <p>SCALE: 1:5</p>		<p>DWG. NO. <b>BLC1F225Q5</b></p> <p>WEIGHT: 3.2 LBS</p>	<p>REV. <b>A</b></p> <p>SHEET 1 OF 1</p>