

PRODUCT DATA SHEET



PART NUMBER – BLC1F330S7: BRAH Electric, aftermarket direct replacement contactors for Telemecanique LC1F330S7, TeSys F Series, type LC1F, 3P, 3PH, 400A, 600V, 100HP @ 240V, 200HP @ 480V, 250HP @ 600V, complete with 480V AC coil, AC magnetic contactor, suitable for use with LC1-F series motor control systems

PRODUCT SPECIFICATIONS

MAGNETIC CONTACTOR
PART NO. BLC1F330S7

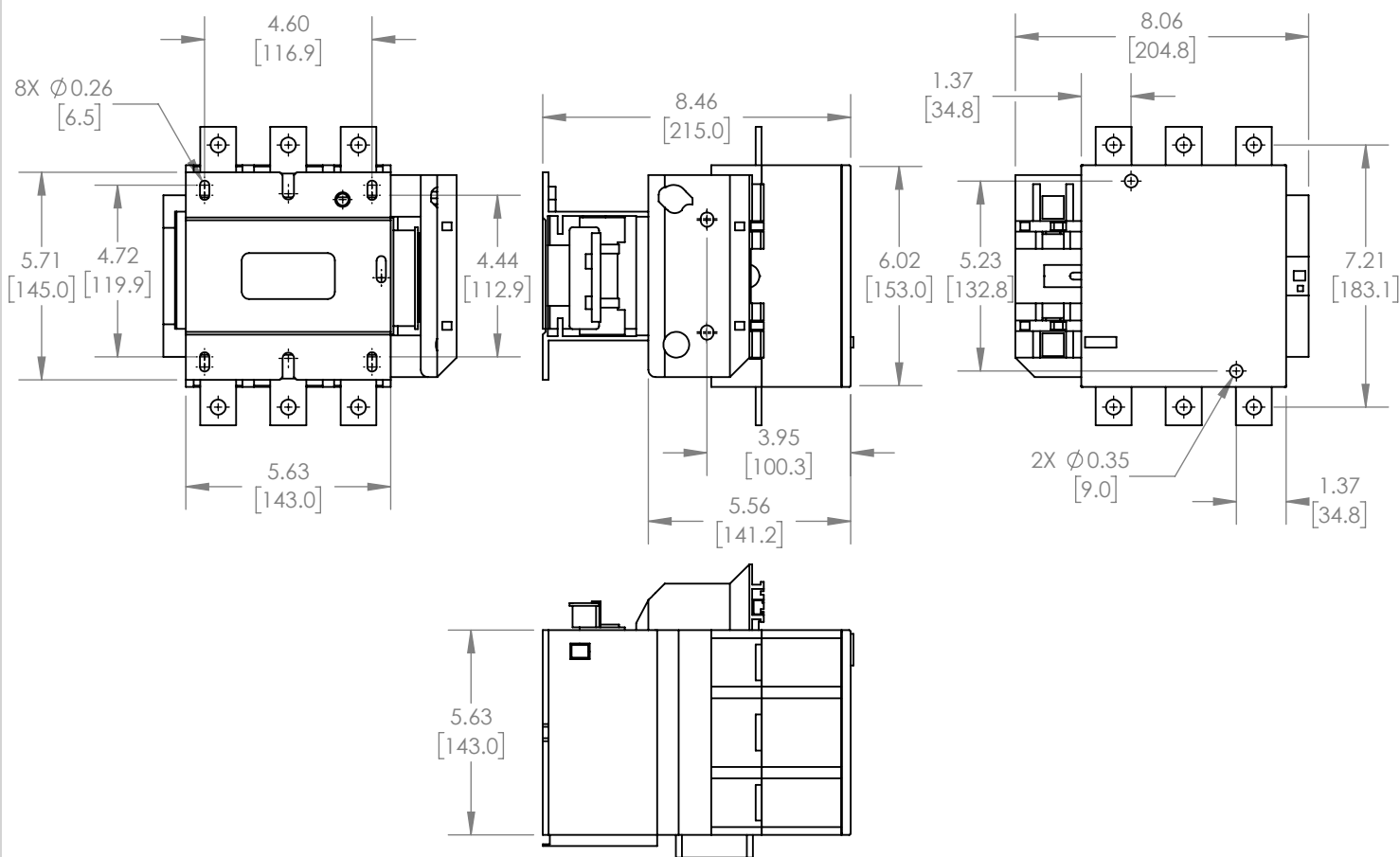
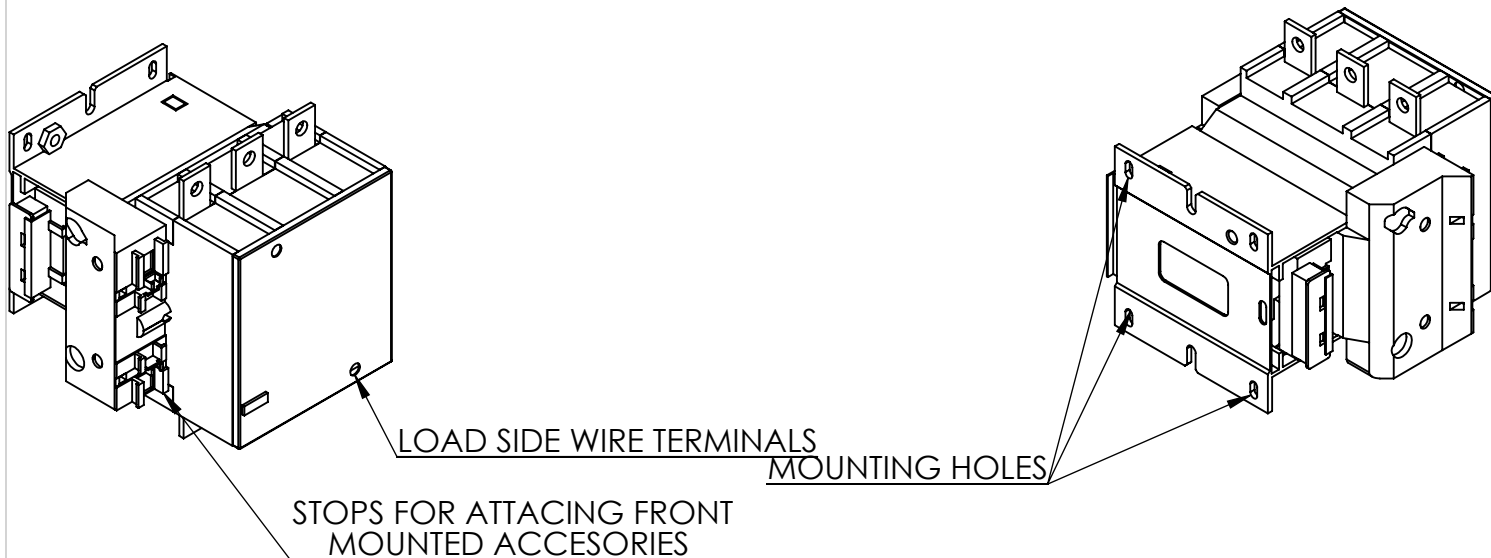
Voltage Selection Chart BCL1F330XX

BLC1F330	120VAC
BLC1F330B7	24VAC
BLC1F330G7	120VAC
BLC1F330L7	208VAC
BLC1F330S7	480VAC
BLC1F330U7	240VAC

TYPE	VALUE (UNITS)	NOTES	COMMENTS
PHASE	3		
POLES	3		
VOLTAGE	600 (VAC)		
AMPERAGE	400 (A)		
COIL VOLTAGE MIN	480 (V)		
COIL VOLTAGE MAX	480 (V)		
MIN HP. RATING	100 (HP)	@ 240V	
MAX HP RATING	250 (HP)	@ 600V	

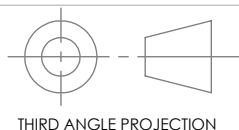
Warranty: All Products sold by BRAH Electric are guaranteed to be free of defect for a period of one year, under the condition that the product has been installed and operated properly. All items proven defective within the one year period will be replaced by BRAH Electric. In the event that we cannot provide a direct replacement, your monies will be refunded in full. We are not responsible for any consequential losses or damages outside of the defective product as well as any replacements or repairs performed by another party without our written authorization from BRAH Electric.

REVISIONS				
ZONE	REV.	DESCRIPTION	DATE	APPROVED



WWW.BRAHELECTRIC.COM, 855-355-2724

*NOTE: BRAH ELECTRIC CONTACTOR BLC1F330S7 IS AN AFTERMARKET DIRECT REPLACEMENT FOR LC1F330S7, LC1-F SERIES. SUITABLE FOR USE WITH LC1-F SERIES MOTOR CONTROL SYSTEMS



PROPRIETARY AND CONFIDENTIAL
THE INFORMATION CONTAINED IN THIS DRAWING IS THE SOLE PROPERTY OF BRAH ELECTRIC. ANY REPRODUCTION IN PART OR AS A WHOLE WITHOUT THE WRITTEN PERMISSION OF BRAH ELECTRIC IS PROHIBITED.

UNLESS OTHERWISE NOTED
ALL DIMENSIONS ARE IN INCHES
METRIC UNITS ARE DISPLAYED
BENEATH IN [MM.]

MATERIAL
MOLDED PLASTIC CASE

FINISH
N/A

DO NOT SCALE DRAWING



MAGNETIC CONTACTOR

SIZE A	DWG. NO. BLC1F330S7	REV. A
SCALE: 1:5	WEIGHT: 3.2 LBS	SHEET 1 OF 1