

## PRODUCT DATA SHEET



**PART NUMBER – BLC1F400U6:** BRAH Electric, aftermarket direct replacement contactors for Telemecanique LC1F400U6, TeSys F Series, type LC1F, 3P, 3PH, 500A, 600V, 125HP @ 240V, 250HP @ 480V, 300HP @ 600V, complete with 240V AC coil, AC magnetic contactor, suitable for use with LC1-F series motor control systems

### PRODUCT SPECIFICATIONS

MAGNETIC CONTACTOR  
PART NO. BLC1F400U6

#### Voltage Selection Chart

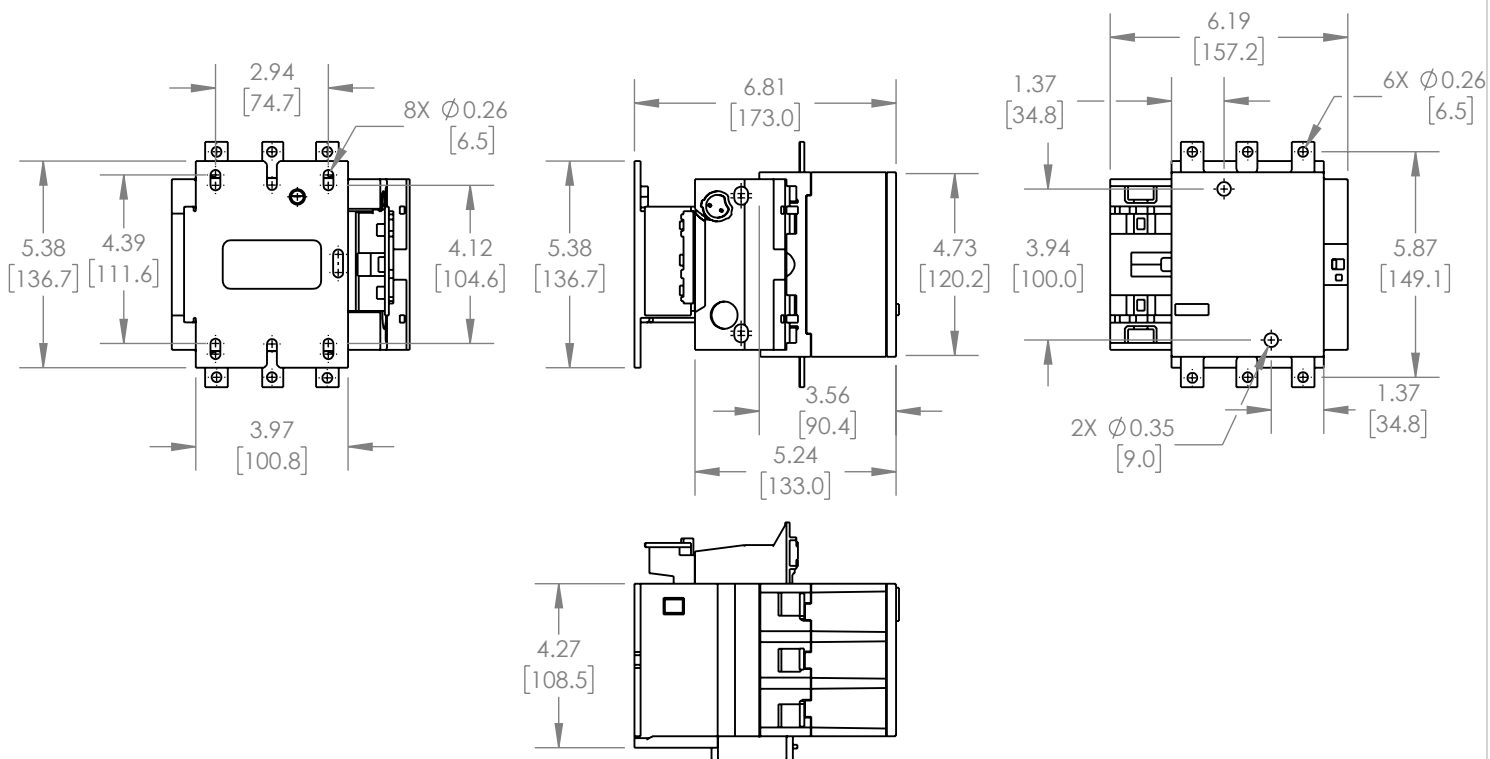
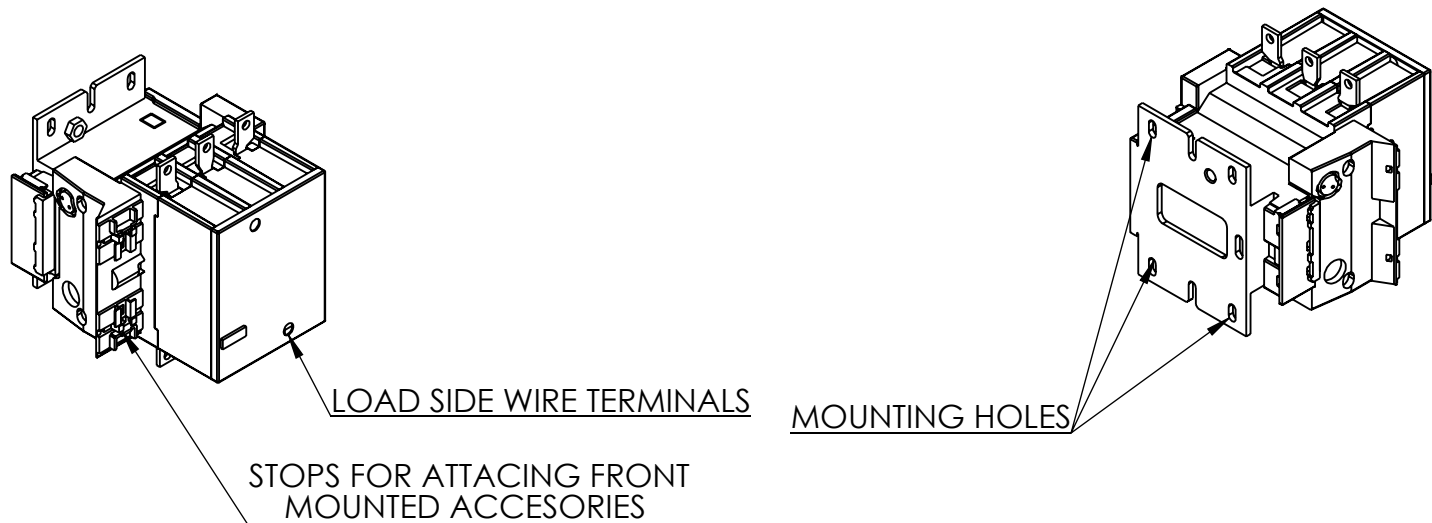
#### BLC1F400XX

BLC1F400	120VAC
BLC1F400G6	120VAC
BLC1F400L7	208VAC
BLC1F400N7	480VAC
BLC1F400U6	240VAC

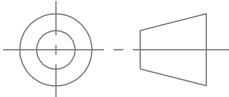
TYPE	VALUE (UNITS)	NOTES	COMMENTS
PHASE	3		
POLES	3		
VOLTAGE	600 (VAC)		
AMPERAGE	500 (A)		
COIL VOLTAGE MIN	240 (V)		
COIL VOLTAGE MAX	240 (V)		
MIN HP. RATING	125 (HP)	@ 240V	
MAX HP RATING	300 (HP)	@ 600V	

**Warranty:** All Products sold by BRAH Electric are guaranteed to be free of defect for a period of one year, under the condition that the product has been installed and operated properly. All items proven defective within the one year period will be replaced by BRAH Electric. In the event that we cannot provide a direct replacement, your monies will be refunded in full. We are not responsible for any consequential losses or damages outside of the defective product as well as any replacements or repairs performed by another party without our written authorization from BRAH Electric.

REVISIONS				
ZONE	REV.	DESCRIPTION	DATE	APPROVED



**\*NOTE: BRAH ELECTRIC CONTACTOR BLC1F400U6 IS AN AFTERMARKET DIRECT REPLACEMENT FOR LC1F400U6, LC1-F SERIES. SUITABLE FOR USE WITH LC1-F SERIES MOTOR CONTROL SYSTEMS**

  
THIRD ANGLE PROJECTION

**PROPRIETARY AND CONFIDENTIAL**  
THE INFORMATION CONTAINED IN THIS DRAWING IS THE SOLE PROPERTY OF BRAH ELECTRIC. ANY REPRODUCTION IN PART OR AS A WHOLE WITHOUT THE WRITTEN PERMISSION OF BRAH ELECTRIC IS PROHIBITED.

UNLESS OTHERWISE NOTED  
ALL DIMENSIONS ARE IN INCHES  
METRIC UNITS ARE DISPLAYED  
BENEATH IN [ MM. ]

MATERIAL  
MOLDED PLASTIC CASE

FINISH  
N/A

DO NOT SCALE DRAWING



**MAGNETIC CONTACTOR**

SIZE <b>A</b>	DWG. NO. <b>BLC1F400U6</b>	REV. <b>A</b>
SCALE: 1:5	WEIGHT: 3.2 LBS	SHEET 1 OF 1